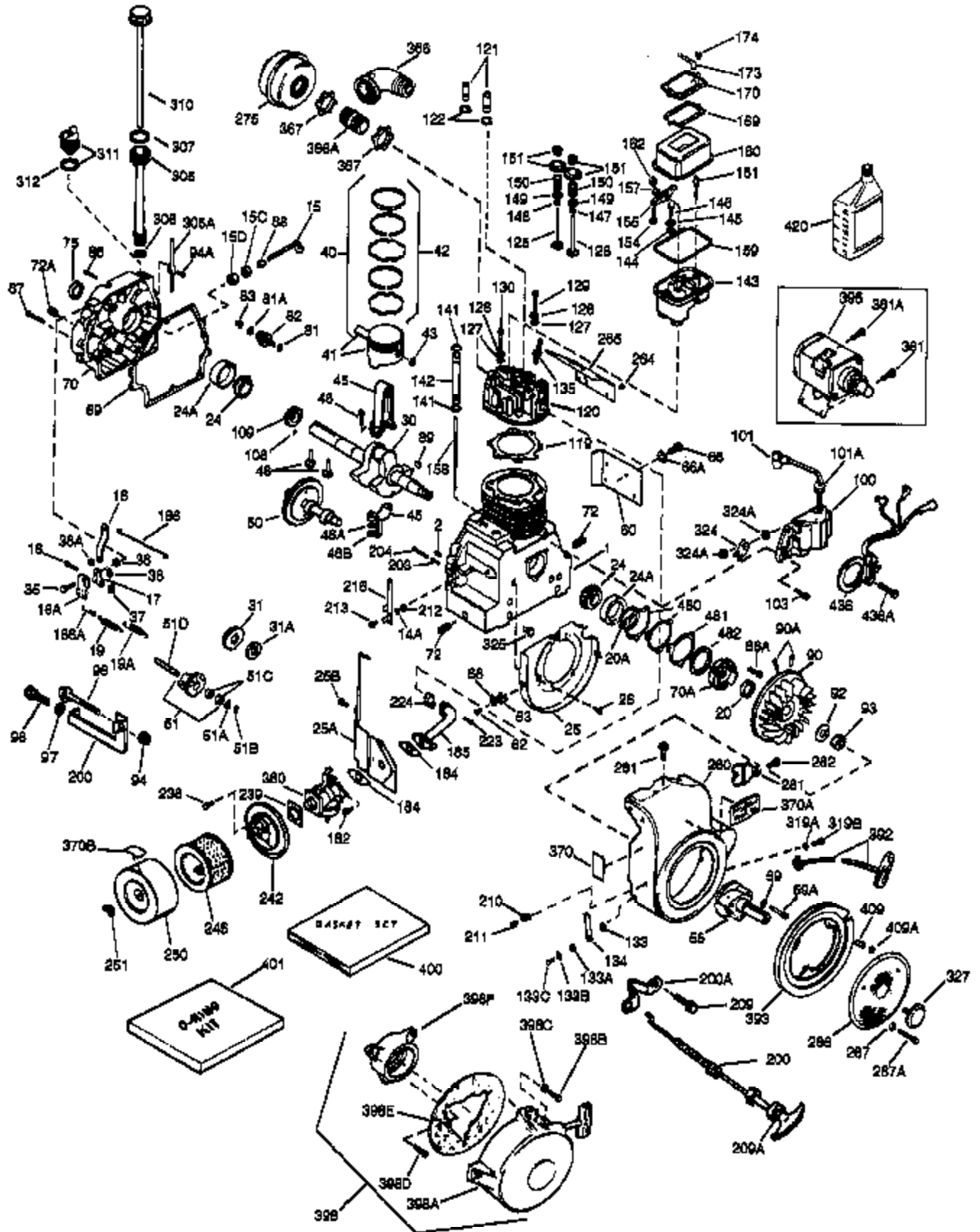


(Page 1 of 2)

IMAGE FILE: ENOH160.2



| Ref # | Part Number | Qty | Description |
|-------|-------------|-----|---|
| 1 | 33707A | 1 | Cylinder (Incl. 2, 20 & 72) |
| 2 | 27652 | 2 | Dowel Pin |
| 14A | 28558 | 1 | Washer |
| 15 | 32425 | 1 | Governor Rod |
| 16B | 31965 | 1 | Governor Spring Plate |
| 16 | 31963 | 1 | Governor Lever |
| 17 | 31964 | 1 | Governor Lever Clamp |
| 18 | 650544 | 1 | Screw, Torx T-25, 10-24 x 7/8" |
| 19 | 31967 | 1 | Extension Spring |
| 20 | 31950 | 1 | * Oil Seal |
| 20A | 32599 | 1 | * "O" Ring |
| 24 | 31932 | 2 | Tapered Roller Bearing |
| 24A | 31928 | 2 | Bearing Cup |
| 25B | 650738 | 1 | Screw, 1/4-20 x 5/8" |
| 25A | 33477A | 1 | Air Baffle |
| 25 | 32579 | 1 | Blower Housing Baffle |
| 26 | 650561 | 3 | Screw, 1/4-20 x 5/8" |
| 30 | 33390B | 1 | Crankshaft |
| 35 | 30312 | 1 | Screw, 10-32 x 1/2" |
| 37 | 7975 | 1 | Lock Nut, 10-24 |
| 38 | 29193 | 1 | Retaining Ring |
| 38A | 650518 | 1 | Washer |
| 40 | 34511 | 1 | Piston, Pin & Ring Set (Std.) |
| 40 | 34512 | 1 | Piston, Pin & Ring Set (.010" OS) |
| 40 | 34513 | 1 | Piston, Pin & Ring Set (.020" OS) |
| 40 | 34524 | 1 | Piston, Pin & Ring Set (.030" OS) |
| 40 | 34525 | 1 | Piston, Pin & Ring Set (.040" OS) |
| 41 | 32238B | 1 | Piston & Pin Ass'y. (Std.) (Incl. 43) |
| 41 | 32239B | 1 | Piston & Pin Ass'y. (.010" OS) (Incl. 43) |
| 41 | 32240B | 1 | Piston & Pin Ass'y. (.020" OS) (Incl. 43) |
| 41 | 32621B | 1 | Piston & Pin Ass'y. (.030" OS) (Incl. 43) |
| 41 | 32622B | 1 | Piston & Pin Ass'y. (.040" OS) (Incl. 43) |
| 42 | 32241 | 1 | Ring Set (Std.) |
| 42 | 32242 | 1 | Ring Set (.010" OS) |
| 42 | 32243 | 1 | Ring Set (.020" OS) |
| 42 | 32625 | 1 | Ring Set (.030" OS) |
| 42 | 32626 | 1 | Ring Set (.040" OS) |
| 43 | 31919 | 2 | Piston Pin Retaining Ring |
| 45 | 33093A | 1 | Connecting Rod Ass'y. (Incl.46 - 46B) |
| 45 | 34383 | 1 | Connecting Rod Ass'y.(.010" US)(Incl. 46-46B) |
| 45 | 34384 | 1 | Connecting Rod Ass'y.(.020" US)(Incl. 46-46B) |
| 46 | 32077 | 2 | Connecting Rod Bolt |
| 46B | 28264 | 2 | Nut |
| 46A | 26073 | 2 | Washer |
| 48 | 33472 | 2 | Valve Lifter |
| 50 | 34752 | 1 | Camshaft (MCR) |
| 60 | 33479 | 1 | Blower Housing Extension |
| 62 | 650760 | 1 | Screw, 8-32 x 3/8" |
| 63 | 28545 | 1 | Grommet |
| 68 | 33356 | 1 | Ground Terminal |
| 69 | 31956B | 1 | * Cylinder Cover Gasket |
| 70A | 32577 | 1 | Cylinder Cover (See Ref. #'s 480-482) |
| 70 | 32685 | 1 | Cylinder Cover (Incl. 15,38,72,75,88) |
| 72 | 31927 | 2 | Oil Drain Plug |
| 75 | 31950 | 1 | Oil Seal |
| 81 | 30590A | 1 | Washer |
| 81A | 650745 | 1 | Washer |
| 82 | 34751 | 1 | Governor Gear Ass'y. |

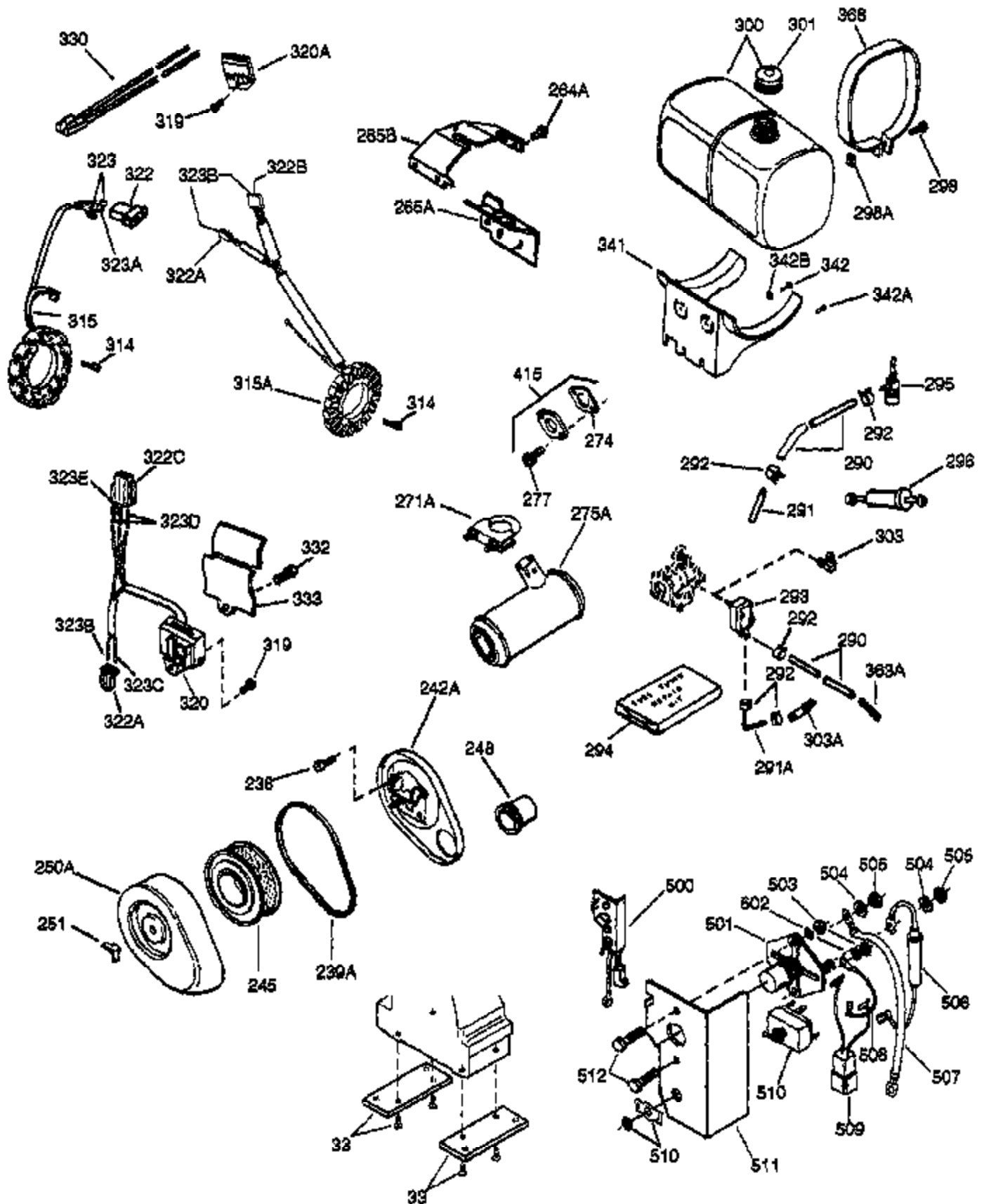
| Ref # | Part Number | Qty | Description |
|-------|-------------|-----|--|
| 83 | 35322 | 1 | Governor Spool |
| 86A | 792028 | 3 | Screw, 5/16-18 x 7/8" |
| 86 | 650588 | 1 | Screw, 1/4-20 x 2" |
| 87 | 650451 | 8 | Screw, 1/4-20 x 1" |
| 88 | 32426 | 1 | Spacer |
| 89 | 650592 | 1 | Flywheel Key |
| 90 | 611000 | 1 | Flywheel (Incl. 90A) |
| 90A | 730201 | 1 | Trigger Pin Kit |
| 92 | 650666 | 1 | Washer |
| 93 | 650594 | 1 | Flywheel Nut |
| 100 | 610906 | 1 | Solid State Ignition (Incl.101,101A,3 24,324A) |
| 101A | 610750 | 1 | Grommet |
| 101 | 610118 | 1 | Spark Plug Cover |
| 103 | 650661 | 2 | Screw, 1/4-20 x 3/4" |
| 108 | 29783 | 1 | Crankshaft Pin |
| 109 | 34692 | 1 | Crankshaft Gear |
| 119 | 34225A | 1 | * Cylinder Head Gasket |
| 120 | 34753 | 1 | Cylinder Head |
| 121 | 730218 | 2 | Valve Guide Kit (Incl. 2 of 122) |
| 122 | 792035 | 2 | Retaining Ring |
| 125 | 33506 | 1 | Exhaust Valve (Std.) (Incl. 151) |
| 125 | 33646 | 1 | Exhaust Valve (1/32" OS) (Incl. 151) |
| 126 | 33505 | 1 | Intake Valve (Std.) (Incl. 151) |
| 126 | 33645 | 1 | Intake Valve (1/32" OS) (Incl. 151) |
| 127 | 650691 | 6 | Washer |
| 128 | 650690 | 6 | Belleville Washer |
| 129 | 650692 | 4 | Screw, 5/16-18 x 1-3/4" |
| 130 | 650746 | 2 | Screw, 5/16-18 x 1-3/8" |
| 133A | 26073 | 1 | Washer |
| 133 | 650890 | 1 | Lock Washer, 5/16 |
| 133C | 650624 | 1 | Screw, 5/16-24 x 9/16" |
| 134 | 32039 | 1 | Shorting Clip |
| 135 | 33657 | 1 | Resistor Spark Plug (RL82C) |
| 141 | 33481 | 4 | * "O" Ring (Also Incl. in 401) |
| 142 | 35475 | 2 | Push Rod Tube |
| 143 | 34754 | 1 | Rocker Arm Housing |
| 144 | 33484 | 3 | * "O" Ring (Also Incl. in 401) |
| 145 | 650168 | 3 | Washer |
| 146 | 32610A | 3 | Screw, 1/4-20 x 29/32" |
| 147 | 33509 | 1 | * "O" Ring (Also Incl. in 401) |
| 148 | 34410 | 1 | * "O" Ring (Also Incl. in 401) |
| 149 | 33510 | 2 | Valve Spring Cap |
| 150 | 33507 | 2 | Valve Spring |
| 151 | 33508 | 2 | Valve Spring Keeper |
| 154 | 650756 | 2 | Rocker Arm Stud |
| 155 | 33485 | 1 | Rocker Arm |
| 157 | 33486 | 2 | Retaining Ring |
| 158 | 33471 | 2 | Push Rod |
| 159 | 33487 | 1 | * "O" Ring (Also Incl. in 401) |
| 160 | 33488 | 1 | Rocker Arm Housing |
| 161 | 650755 | 1 | Screw, 1/4-20 x 3/4" |
| 162 | 650864 | 1 | Nut, 1/4-20 |
| 169 | 31958A | 1 | * Valve Cover Gasket (Also Incl.in 401) |
| 170 | 33489 | 1 | Breather Body |
| 173 | 33490 | 1 | Breather Tube |
| 174 | 30102 | 2 | * Screw, 10-32 x 5/8" (Also Incl. in 40 1) |
| 182 | 650378 | 2 | Screw, Torx T-30, 5/16-18 x 1-1/8" |
| 184 | 33476A | 2 | * Carburetor To Intake Pipe Gasket |

| Ref # | Part Number | Qty | Description |
|-------|-------------|-----|---|
| 185 | 33475 | 1 | Intake Pipe |
| 186 | 33478 | 1 | Governor Link |
| 203 | 33099 | 1 | Compression Spring |
| 204 | 650591 | 1 | Screw, 10-24 x 2" |
| 210 | 27793 | 1 | Conduit Clip |
| 211 | 28942 | 1 | Screw, 10-32 x 3/8" |
| 212 | 31966 | 1 | Bushing |
| 213 | 650597 | 1 | Screw, 10-24 x 5/8" |
| 216 | 31984A | 1 | R.P.M. Adjusting Lever |
| 223 | 792028 | 2 | Screw, 5/16-18 x 7/8" |
| 238 | 650399 | 4 | Screw, 10-32 x 5/8" |
| 239 | 35471 | 1 | * Air Cleaner Gasket |
| 242 | 35472 | 1 | Air Cleaner Bracket |
| 245 | 32008 | 1 | Air Cleaner Filter |
| 250 | 32810 | 1 | Air Cleaner Cover |
| 251 | 650513 | 1 | Wing Nut, 1/4-20 |
| 260 | 33775A | 1 | Blower Housing |
| 261 | 650752 | 1 | Screw, 1/4-20 x 7/16" |
| 261A | 650751 | 1 | Screw, 1/4-20 x 7/16" |
| 264 | 650736 | 2 | Screw, 10-16 x 3/8" |
| 265 | 33495 | 1 | Cylinder Head Cover |
| 275 | 32043B | 1 | Muffler |
| 281 | 33013 | 1 | Starter Bubble Cover |
| 282 | 650701 | 1 | Screw, 8-18 x 7/16" |
| 286 | 33776 | 1 | Starter Screen |
| 287A | 650680 | 3 | Screw, 1/4-20 x 1-1/2" |
| 287 | 27070 | 3 | Washer |
| 305 | 35574 | 1 | Oil Fill Tube |
| 307 | 35499 | 1 | "O" Ring |
| 310 | 35599 | 1 | Dipstick |
| 319A | 8274 | 1 | Lock Washer |
| 319B | 650595 | 1 | Screw, 5/16-24 x 3/8" |
| 324 | 610908 | 1 | Terminal |
| 324A | 610408 | 2 | Nut, 8-32 |
| 325 | 29443 | 1 | Wire Clip |
| 342B | 650787 | 2 | Belleville Washer |
| 355 | 590452 | 1 | Starter Handle |
| 366A | 32143 | 1 | Muffler Nipple |
| 367 | 650590 | 1 | Nut |
| 370B | 35274 | 1 | Instruction Decal |
| 370A | 35532 | 1 | Name Decal |
| 370 | 34346 | 1 | Lubrication Decal |
| 380 | 632456 | 1 | Carburetor (Incl. 184) |
| 392 | 32046 | 1 | Starter Rope |
| 393 | 31980 | 1 | Starter Rope Pulley |
| 400 | 33516G | 1 | * Gasket Set (Incl. items marked PK i n notes) Incl. part #'s 29673 (1), 30102 (2), 31950 (2), 31956B (1), 31958A (1), 31971 (2), 31972 (1), 32031 (1), 32599 (1), 33476A (2), 33481 (4), 33484 (3), 33487 (1), 33509 (1), 33515A (1), 34225A (1), 34302A (1), 34410 (1), 34641A (1), 35471 (1) |
| 401 | 35075A | 1 | * "O" Ring Set (Also Incl. in 400) 30102 (2), 31958A (1), 33481(4), 33484 (3), 33487 (1), 33509 (1) 34410 (1) |
| 409 | 31992 | 3 | Spacer |
| 420 | 730225 | 1 | SAE 30 4-Cycle Engine Oil (Quart) |
| 436 | 610965 | 1 | Stator Plate Ass'y. |
| 436B | 650399 | 2 | Screw, 10-32 x 5/8" |
| 480 | 31971 | 2 | * Shim Gasket (.004/.005) (See Repair M anual) |

| Ref # | Part Number | Qty | Description |
|-------|-------------|-----|---|
| 481 | 31972 | 1 | * Shim Gasket (.005/.007) (See Repair Manual) |
| 482 | 32031 | 1 | * Steel Spacer (.010) (See Repair Manual) |

(Page 2 of 2)

IMAGE FILE: ENOH160.2



| Ref # | Part Number | Qty | Description |
|-------|-------------|-----|--------------------------------|
| 16B | 31965 | 1 | Governor Spring Plate |
| 144 | 33484 | 3 | * "O" Ring (Also Incl. in 401) |
| 238 | 650399 | 4 | Screw, 10-32 x 5/8" |
| 245 | 32008 | 1 | Air Cleaner Filter |
| 251 | 650513 | 1 | Wing Nut, 1/4-20 |
| 261A | 650751 | 1 | Screw, 1/4-20 x 7/16" |
| 274 | 33515A | 1 | * Exhaust Gasket |
| 290 | 29774 | 1 | Fuel Line (6.00") |
| 291 | 30962 | 1 | Fuel Line |
| 291A | 29774 | 1 | Fuel Line |
| 292 | 26460 | 4 | Fuel Line Clamp |
| 293 | 35807 | 1 | Pulse Pump |
| 294 | 35791 | 1 | Pulse Pump Repair Kit |
| 295 | 29683 | 1 | Fuel Shut-Off Valve |
| 298A | 650456 | 1 | Lock Nut, 1/4-20 |
| 298 | 650488 | 1 | Screw, 1/4-20 x 1-1/4" |
| 300 | 33979 | 1 | Fuel Tank (Incl. 301) |
| 301 | 33032 | 1 | Fuel Cap |
| 303 | 29634 | 2 | Fuel Fitting |
| 341 | 33978 | 1 | Fuel Tank Bracket |
| 342A | 650785 | 2 | Screw, 5/16-18 x 5/8" |
| 342 | 650786 | 2 | Screw, 1/4-20 x 5/8" |
| 342B | 650787 | 2 | Belleville Washer |
| 355 | 590452 | 1 | Starter Handle |
| 366A | 32143 | 1 | Muffler Nipple |
| 368 | 33980 | 1 | Fuel Tank Strap |
| 436B | 650399 | 2 | Screw, 10-32 x 5/8" |