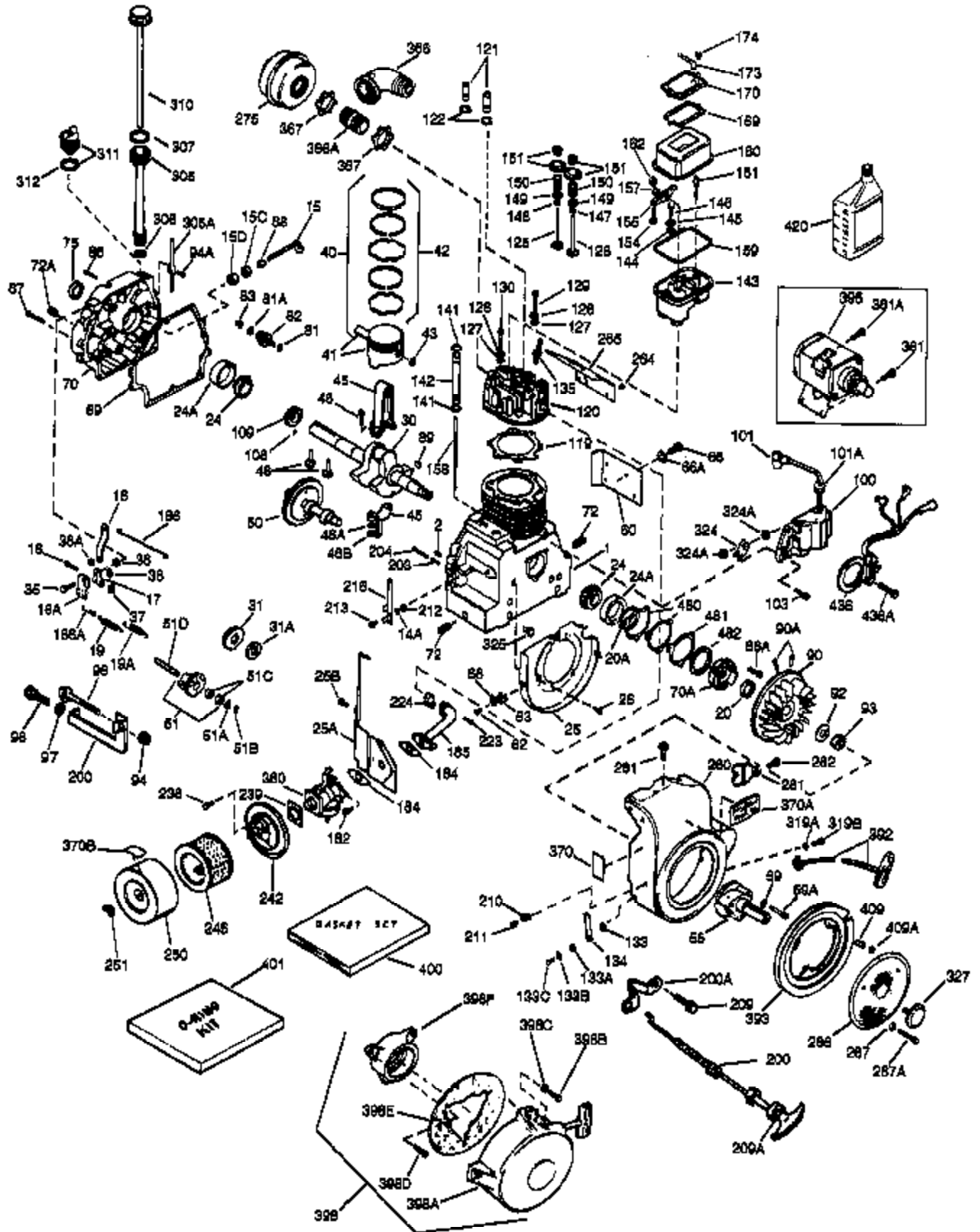


(Page 1 of 2)

IMAGE FILE: ENOH160.2



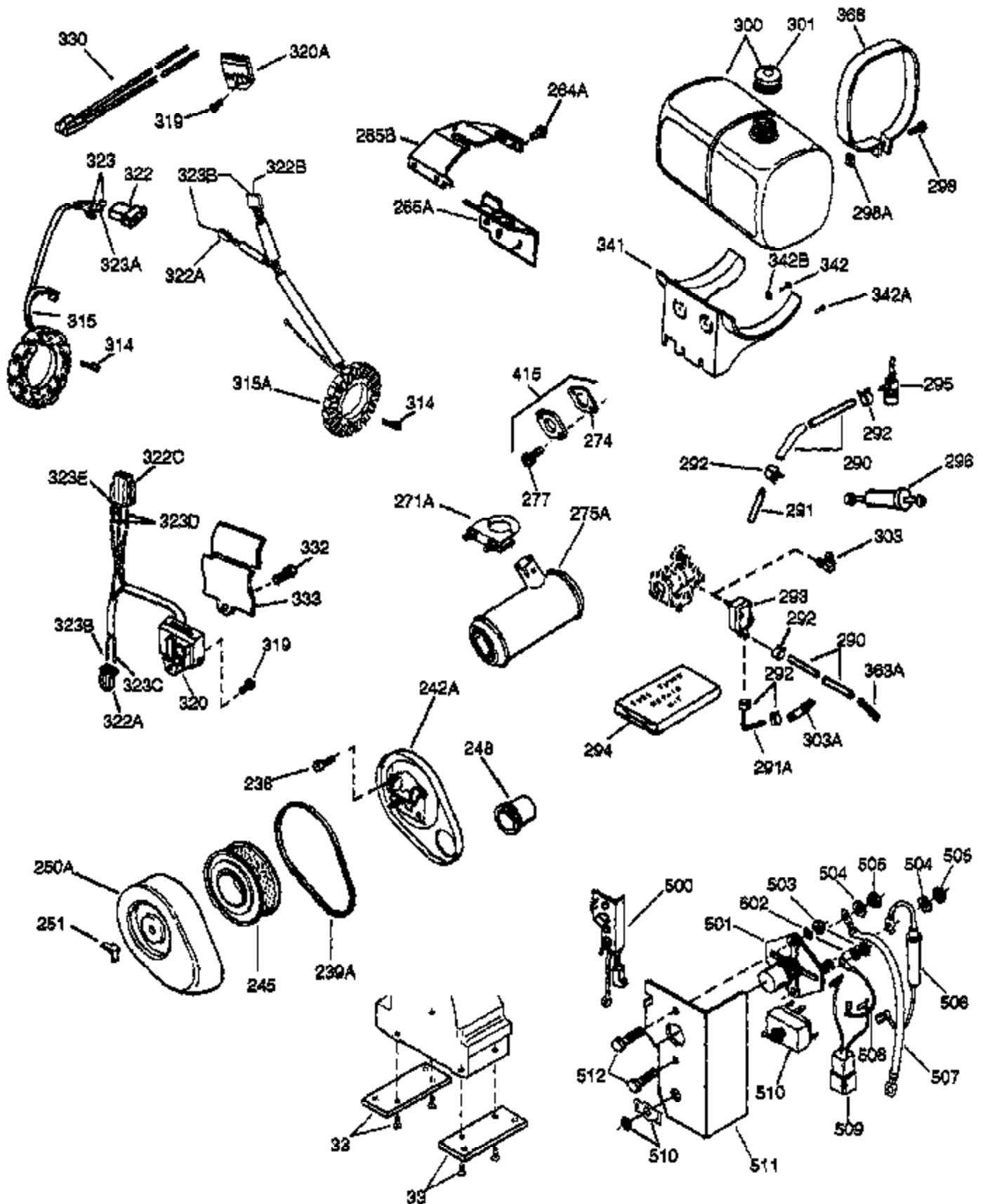
| Ref # | Part Number | Qty | Description |
|-------|-------------|-----|---|
| | 1 33707A | 1 | Cylinder (Incl. 2, 20 & 72) |
| | 2 27652 | 2 | Dowel Pin |
| | 14A 28558 | 1 | Washer |
| | 15 32425 | 1 | Governor Rod |
| | 16B 31965 | 1 | Governor Spring Plate |
| | 16 31963 | 1 | Governor Lever |
| | 17 31964 | 1 | Governor Lever Clamp |
| | 18 650544 | 1 | Screw, Torx T-25, 10-24 x 7/8" |
| | 19 31967 | 1 | Extension Spring |
| | 20A 32599 | 1 | * "O" Ring |
| | 20 31950 | 1 | * Oil Seal |
| | 24A 31928 | 2 | Bearing Cup |
| | 24 31932 | 2 | Tapered Roller Bearing |
| | 25A 33477A | 1 | Air Baffle |
| | 25 32579 | 1 | Blower Housing Baffle |
| | 25B 651031 | 1 | Screw, 1/4-20 x 9/16" |
| | 26 650561 | 3 | Screw, 1/4-20 x 5/8" |
| | 30 33425B | 1 | Crankshaft |
| | 32 31787 | 1 | Washer |
| | 35 30312 | 1 | Screw, 10-32 x 1/2" |
| | 37 7975 | 1 | Lock Nut, 10-24 |
| | 38 29193 | 1 | Retaining Ring |
| | 38A 650518 | 1 | Washer |
| | 40 34511 | 1 | Piston, Pin & Ring Set (Std.) |
| | 40 34512 | 1 | Piston, Pin & Ring Set (.010" OS) |
| | 40 34513 | 1 | Piston, Pin & Ring Set (.020" OS) |
| | 41 32238B | 1 | Piston & Pin Ass'y. (Std.) (Incl. 43) |
| | 41 32239B | 1 | Piston & Pin Ass'y. (.010" OS) (Incl. 43) |
| | 41 32240B | 1 | Piston & Pin Ass'y. (.020" OS) (Incl. 43) |
| | 42 32241 | 1 | Ring Set (Std.) |
| | 42 32242 | 1 | Ring Set (.010" OS) |
| | 42 32243 | 1 | Ring Set (.020" OS) |
| | 43 31919 | 2 | Piston Pin Retaining Ring |
| | 45 33093A | 1 | Connecting Rod Ass'y. (Incl.46 - 46B) |
| | 45 34383 | 1 | Connecting Rod Ass'y.(.010" US)(Incl. 46-46B) |
| | 45 34384 | 1 | Connecting Rod Ass'y.(.020" US)(Incl. 46-46B) |
| | 46 32077 | 2 | Connecting Rod Bolt |
| | 46A 26073 | 2 | Washer |
| | 46B 28264 | 2 | Nut |
| | 48 33472 | 2 | Valve Lifter |
| | 50 34752 | 1 | Camshaft (MCR) |
| | 60 33479 | 1 | Blower Housing Extension |
| | 69 31956B | 1 | * Cylinder Cover Gasket |
| | 70 32685 | 1 | Cylinder Cover (Incl. 15,38,72,75,88) |
| | 70A 32577 | 1 | Cylinder Cover (See Ref. #'s 480-482) |
| | 72 31927 | 2 | Oil Drain Plug |
| | 72A 28534 | 1 | Oil Drain Plug |
| | 75 31950 | 1 | Oil Seal |
| | 81A 650745 | 1 | Washer |
| | 81 35479A | 1 | Washer |
| | 82 34751 | 1 | Governor Gear Ass'y. |
| | 83 35322 | 1 | Governor Spool |
| | 86A 792028 | 3 | Screw, 5/16-18 x 7/8" |
| | 86 650588 | 1 | Screw, 1/4-20 x 2" |
| | 87 650451 | 8 | Screw, 1/4-20 x 1" |
| | 88 32426 | 1 | Spacer |
| | 89 650592 | 1 | Flywheel Key |
| | 90 610909 | 1 | Flywheel (W/Ring Gear) (Incl. 90A) |

| Ref # | Part Number | Qty | Description |
|-------|-------------|-----|--|
| 90A | 730201 | 1 | Trigger Pin Kit |
| 92 | 650666 | 1 | Washer |
| 93 | 650594 | 1 | Flywheel Nut |
| 100 | 610906 | 1 | Solid State Ignition (Incl.101,101A,3 24,324A) |
| 101 | 610118 | 1 | Spark Plug Cover |
| 101A | 610750 | 1 | Grommet |
| 103 | 650661 | 2 | Screw, 1/4-20 x 3/4" |
| 108 | 29783 | 1 | Crankshaft Pin |
| 109 | 34692 | 1 | Crankshaft Gear |
| 119 | 34225A | 1 | * Cylinder Head Gasket |
| 120 | 34753 | 1 | Cylinder Head |
| 121 | 730218 | 2 | Valve Guide Kit (Incl. 2 of 122) |
| 122 | 792035 | 2 | Retaining Ring |
| 125 | 33506 | 1 | Exhaust Valve (Std.) (Incl. 151) |
| 125 | 33646 | 1 | Exhaust Valve (1/32" OS) (Incl. 151) |
| 126 | 33505 | 1 | Intake Valve (Std.) (Incl. 151) |
| 126 | 33645 | 1 | Intake Valve (1/32" OS) (Incl. 151) |
| 127 | 650691 | 6 | Washer |
| 128 | 650690 | 6 | Belleville Washer |
| 129 | 650692 | 4 | Screw, 5/16-18 x 1-3/4" |
| 130 | 650746 | 2 | Screw, 5/16-18 x 1-3/8" |
| 133C | 650595 | 1 | Screw, 5/16-24 x 3/8" |
| 133B | 8274 | 1 | Washer |
| 135 | 35552 | 1 | Resistor Spark Plug (RL82C) |
| 141 | 33481 | 4 | * "O" Ring (Also Incl. in 401) |
| 142 | 35475 | 2 | Push Rod Tube |
| 143 | 34754 | 1 | Rocker Arm Housing |
| 144 | 33484 | 3 | * "O" Ring (Also Incl. in 401) |
| 145 | 650168 | 3 | Washer |
| 146 | 32610A | 3 | Screw, 1/4-20 x 29/32" |
| 147 | 33509 | 1 | * "O" Ring (Also Incl. in 401) |
| 148 | 34410 | 1 | * "O" Ring (Also Incl. in 401) |
| 149 | 33510 | 2 | Valve Spring Cap |
| 150 | 33507 | 2 | Valve Spring |
| 151 | 33508 | 2 | Valve Spring Keeper |
| 154 | 650755 | 1 | Screw, 1/4-20 x 3/4" |
| 155 | 33485 | 1 | Rocker Arm |
| 157 | 33486 | 2 | Retaining Ring |
| 158 | 33471 | 2 | Push Rod |
| 159 | 33487 | 1 | * "O" Ring (Also Incl. in 401) |
| 160 | 33488 | 1 | Rocker Arm Housing |
| 161 | 650756 | 2 | Rocker Arm Stud |
| 162 | 650864 | 1 | Nut, 1/4-20 |
| 169 | 31958A | 1 | * Valve Cover Gasket (Also Incl.in 401) |
| 170 | 33489 | 1 | Breather Body |
| 173 | 33490 | 1 | Breather Tube |
| 174 | 30102 | 2 | * Screw, 10-32 x 5/8" (Also Incl. in 40 1) |
| 184 | 33476A | 2 | * Carburetor To Intake Pipe Gasket |
| 185 | 33475 | 1 | Intake Pipe |
| 186 | 33478 | 1 | Governor Link |
| 200A | 34404 | 1 | Control Bracket |
| 200 | 34403 | 1 | Speed Control Bracket |
| 203 | 33099 | 1 | Compression Spring |
| 204 | 650591 | 1 | Screw, 10-24 x 2" |
| 209 | 650561 | 1 | Screw, 1/4-20 x 5/8" |
| 209A | 650641 | 1 | Nut |
| 212 | 31966 | 1 | Bushing |
| 213 | 650597 | 1 | Screw, 10-24 x 5/8" |

| Ref # | Part Number | Qty | Description |
|-------|-------------|-----|---|
| 216 | 31984A | 1 | R.P.M. Adjusting Lever |
| 223 | 650971 | 2 | Screw, Torx T-30, 5/16-18 x 7/8" |
| 224 | 33515A | 1 | * Exhaust Gasket |
| 238 | 650399 | 4 | Screw, 10-32 x 5/8" |
| 239 | 35471 | 1 | * Air Cleaner Gasket |
| 242 | 35473 | 1 | Air Cleaner Bracket |
| 245 | 32008 | 1 | Air Cleaner Filter |
| 250 | 34193 | 1 | Air Cleaner Cover |
| 251 | 650513 | 1 | Wing Nut, 1/4-20 |
| 260 | 34195B | 1 | Blower Housing |
| 261 | 650751 | 1 | Screw, 1/4-20 x 7/16" |
| 264 | 650650 | 1 | Screw, 10-16 x 3/8" |
| 265 | 33495 | 1 | Cylinder Head Cover |
| 275 | 35731 | 1 | Muffler |
| 286 | 33776 | 1 | Starter Screen |
| 287 | 27070 | 3 | Washer |
| 287A | 650680 | 3 | Scrw, 1/4-20 x 1-1/2" |
| 293A | 651049 | 2 | Screw, Torx T-30, 5/16-18 X 1-3/32" |
| 305 | 35574 | 1 | Oil Fill Tube |
| 307 | 35499 | 1 | "O" Ring |
| 310 | 35599 | 1 | Dipstick |
| 319B | 650595 | 1 | Screw, 5/16-24 x 3/8" |
| 319A | 8274 | 1 | Lock Washer |
| 324 | 610908 | 1 | Terminal |
| 324A | 610408 | 2 | Nut, 8-32 |
| 342B | 650787 | 2 | Belleville Washer |
| 361A | 650797 | 1 | Screw, 5/16-18 x 1/2" |
| 361 | 650781 | 2 | Screw, 5/16-18 x 11/16" |
| 366A | 32143 | 1 | Muffler Nipple |
| 370B | 35274 | 1 | Instruction Decal |
| 370A | 35532 | 1 | Name Decal |
| 380 | 632456A | 1 | Carburetor (Incl. 184) |
| 392 | 32046 | 1 | Starter Rope |
| 393 | 31980 | 1 | Starter Rope Pulley |
| 395 | 33835 | 1 | Electric Starter Motor (12 Volt) |
| 400 | 33516G | 1 | * Gasket Set (Incl. items marked PK i n notes) Incl. part #'s 29673 (1), 30102 (2), 31950 (2), 31956B (1), 31958A (1), 31971 (2), 31972 (1), 32031 (1), 32599 (1), 33476A (2), 33481 (4), 33484 (3), 33487 (1), 33509 (1), 33515A (1), 34225A (1), 34302A (1), 34410 (1), 34641A (1), 35471 (1) |
| 401 | 35075A | 1 | * "O" Ring Set (Also Incl. in 400) 30102 (2), 31958A (1), 33481(4), 33484 (3), 33487 (1), 33509 (1) 34410 (1) |
| 409 | 31992 | 3 | Spacer |
| 420 | 730225 | 1 | SAE 30 4-Cycle Engine Oil (Quart) |
| 480 | 31971 | 2 | * Shim Gasket (.004/.005) (See Repair M anual) |
| 481 | 31972 | 1 | * Shim Gasket (.005/.007) (See Repair M anual) |
| 482 | 32031 | 1 | * Steel Spacer (.010) (See Repair Manua l) |

(Page 2 of 2)

IMAGE FILE: ENOH160.2



| Ref # | Part Number | Qty | Description |
|-------|-------------|-----|---|
| 16B | 31965 | 1 | Governor Spring Plate |
| 32 | 31787 | 1 | Washer |
| 144 | 33484 | 3 | * "O" Ring (Also Incl. in 401) |
| 238 | 650399 | 4 | Screw, 10-32 x 5/8" |
| 239A | 34197 | 1 | Air Cleaner Gasket |
| 245 | 32008 | 1 | Air Cleaner Filter |
| 248 | 34194A | 1 | Air Cleaner Tube |
| 251 | 650513 | 1 | Wing Nut, 1/4-20 |
| 271A | 35732 | 1 | Muffler Clamp |
| 290 | 29774 | 1 | Fuel Line |
| 291 | 30962 | 1 | Fuel Line |
| 292 | 26460 | 2 | Fuel Line Clamp |
| 293 | 35807 | 1 | Pulse Pump |
| 293A | 651049 | 2 | Screw, Torx T-30, 5/16-18 X 1-3/32" |
| 294 | 35791 | 1 | Pulse Pump Repair Kit |
| 295 | 29683 | 1 | Fuel Shut-Off Valve |
| 298 | 650488 | 1 | Screw, 1/4-20 x 1-1/4" |
| 298A | 650456 | 1 | Lock Nut, 1/4-20 |
| 300 | 33979 | 1 | Fuel Tank |
| 301 | 33032 | 1 | Fuel Cap |
| 303 | 29634 | 2 | Fuel Fitting |
| 314 | 650521 | 2 | Screw, 10-32 x 1-1/8" |
| 315 | 611214 | 1 | Alternator Coil (20 Amp) (Incl.322,32 2A&323) |
| 319 | 651026 | 1 | Screw, 1/4-20 x 1/2" |
| 320 | 611215 | 1 | Regulator (20 Amp) |
| 322 | 610824 | 1 | Connector Body |
| 322A | 610921 | 1 | Connector Body |
| 323 | 610922 | 1 | Terminal |
| 341 | 33978 | 1 | Fuel Tank Bracket |
| 342B | 650787 | 2 | Belleville Washer |
| 342A | 650785 | 2 | Screw, 5/16-18 x 5/8" |
| 342 | 650786 | 2 | Screw, 1/4-20 x 5/8" |
| 366A | 32143 | 1 | Muffler Nipple |
| 368 | 33980 | 1 | Fuel Tank Strap |
| 500 | 730198 | 1 | Switch Ass'y. |
| 501 | 34616 | 1 | Starter Switch |
| 502 | 27513 | 2 | Lock Washer |
| 503 | 650864 | 2 | Nut, 1/4-20 |
| 504 | 8274 | 2 | Lock Washer |
| 505 | 650586 | 2 | Nut, 5/16-24 |
| 506 | 34620 | 1 | Wire & Fuse |
| 507 | 34618 | 1 | Starter Wire |
| 508 | 34619 | 1 | Ground Wire |
| 509 | 34617 | 1 | Adapter Cord |
| 510 | 34615 | 1 | Toggle Switch |
| 511 | 34614 | 1 | Starter Button Bracket |
| 512 | 792026 | 2 | Screw, 1/4-20 x 7/8" |