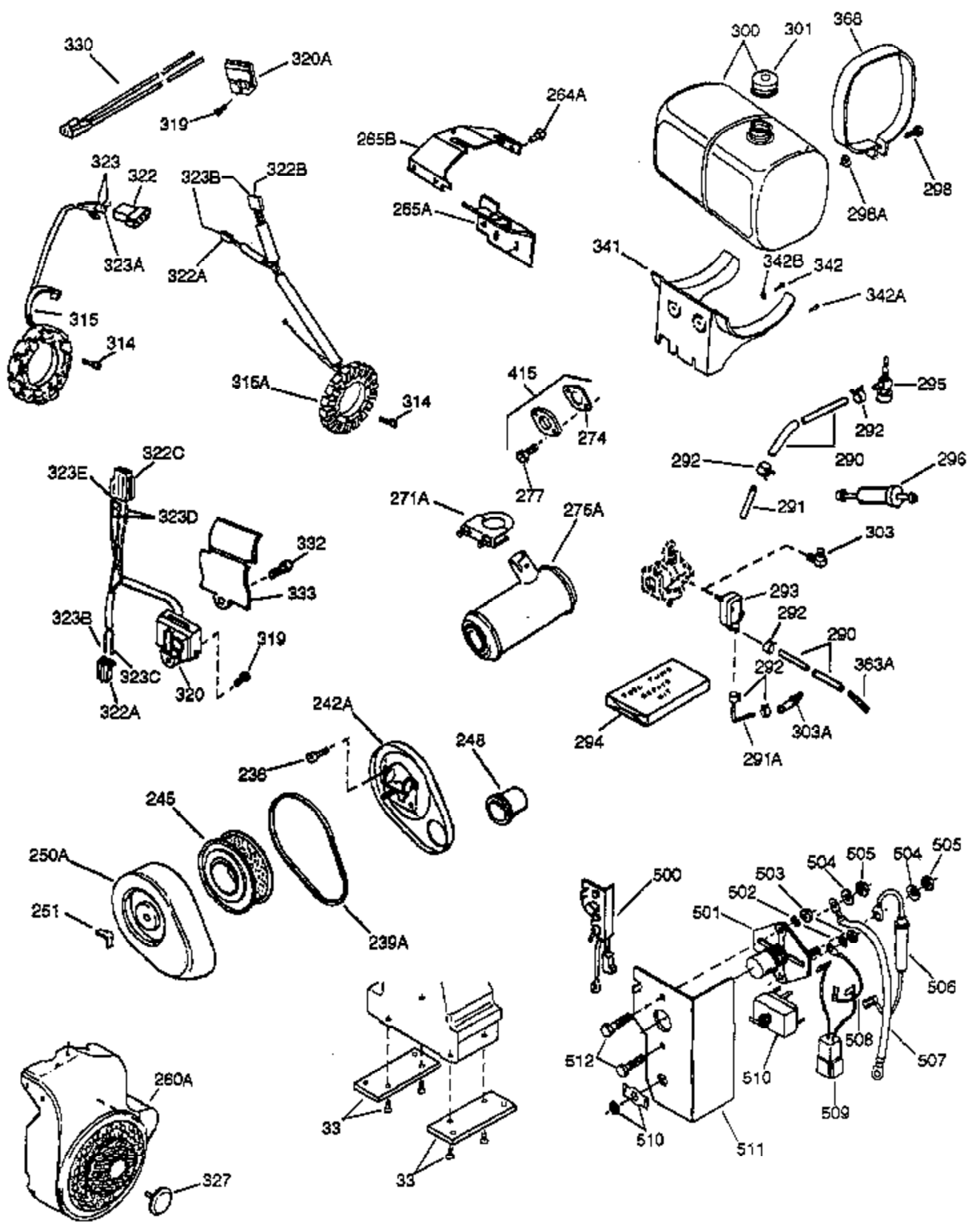


Ref #	Part Number	Qty	Description
1	34648A	1	Cylinder (Incl. 2, 20 & 72)
2	27652	2	Dowel Pin
14A	28558	1	Washer
15	32425	1	Governor Rod
16	31963	1	Governor Lever
16B	31965	1	Governor Spring Plate
17	31964	1	Governor Lever Clamp
18	650544	1	Screw, Torx T-25, 10-24 x 7/8"
19	31967	1	Extension Spring
20	31950	1	* Oil Seal
20A	32599	1	* "O" Ring
24	31932	2	Tapered Roller Bearing
24A	31928	2	Bearing Cup
25B	650738	1	Screw, 1/4-20 x 5/8"
25	32579	1	Blower Housing Baffle
25A	33477A	1	Air Baffle
26	650561	3	Screw, 1/4-20 x 5/8"
30	33497C	1	Crankshaft
31	33963	1	Counterbalance Gear (Machined)
31A	33499	1	Spacer
35	30312	1	Screw, 10-32 x 1/2"
37	7975	1	Lock Nut, 10-24
38A	650518	1	Washer
38	29193	1	Retaining Ring
40	34624	1	Piston, Pin & Ring Set (Std.)
40	34625	1	Piston, Pin & Ring Set (.010" OS)
40	34626	1	Piston, Pin & Ring Set (.020" OS)
41	34629	1	Piston & Pin Ass'y. (Std.) (Incl. 43)
41	34630	1	Piston & Pin Ass'y. (.010" OS) (Incl. 43)
41	34631	1	Piston & Pin Ass'y. (.020" OS) (Incl. 43)
42	34635	1	Ring Set (Std.)
42	34636	1	Ring Set (.010" OS)
42	34637	1	Ring Set (.020" OS)
43	34634	2	Piston Pin Retaining Ring
45	34640	1	Connecting Rod Ass'y. (Incl.46 - 46B)
45	35243	1	Connecting Rod Ass'y.(.010" US)(Incl. 46-46B)
45	35244	1	Connecting Rod Ass'y.(.020" US)(Incl. 46-46B)
46	32077	2	Connecting Rod Bolt
46B	28264	2	Nut
46A	26073	2	Washer
48	33472	2	Valve Lifter
50	34752	1	Camshaft (MCR)
51D	33502	2	Counterbalance Shaft
51A	33503	4	Washer
51	34651	2	Counterbalance Weight
51C	33501	2	Needle Bearing
51B	792017	2	Retaining Ring
60	33479	1	Blower Housing Extension
66	30063	2	Screw, Torx T-30, 1/4-20 x 1/2"
69	31956B	1	* Cylinder Cover Gasket
70A	32577	1	Cylinder Cover (See Ref. #'s 480-482)
70	34758	1	Cylinder Cover (Incl. 15,38,72,75,88)
72	28534	2	Oil Drain Plug
72	31927	2	Oil Drain Plug
75	31950	1	Oil Seal
81	30590A	1	Washer
81A	650745	1	Washer
82	34751	1	Governor Gear Ass'y.

Ref #	Part Number	Qty	Description
83	35322	1	Governor Spool
86A	792028	3	Screw, 5/16-18 x 7/8"
86	650492	1	Screw, 1/4-20 x 2-1/4"
87	650451	8	Screw, 1/4-20 x 1"
88	32426	1	Spacer
89	650592	1	Flywheel Key
90	610909	1	Flywheel (Incl. 90A)
90A	730201	1	Trigger Pin Kit
92	650666	1	Washer
93	650594	1	Flywheel Nut
94A	650744	1	Screw, 10-24 x 7/8"
100	610906	1	Solid State Ignition
101A	610750	1	Grommet
101	610118	1	Spark Plug Cover
103	650661	2	Screw, 1/4-20 x 3/4"
108	29783	1	Crankshaft Pin
109	34692	1	Crankshaft Gear
119	34641A	1	* Cylinder Head Gasket
120	34771	1	Cylinder Head
121	730218	2	Valve Guide Kit (Incl. 2 of 122)
122	792035	2	Retaining Ring
125	33506	1	Exhaust Valve (Std.) (Incl. 151)
125	33646	1	Exhaust Valve (1/32" OS) (Incl. 151)
126	34643	1	Intake Valve (Std.) (Incl. 151)
126	34644	1	Intake Valve (1/32" OS) (Incl. 151)
127	650691	6	Washer
128	650690	6	Belleville Washer
129	650692	4	Screw, 5/16-18 x 1-3/4"
130	650746	2	Screw, 5/16-18 x 1-3/8"
133B	8274	1	Lock Washer
133C	650595	1	Screw, 5/16-24 x 3/8"
135	34645	1	Resistor Spark Plug (RN4C)
141	33481	4	* "O" Ring (Also Incl. in 401)
142	35475	2	Push Rod Tube
143	34754	1	Rocker Arm Housing
144	33484	3	* "O" Ring (Also Incl. in 401)
145	650168	3	Washer
146	32610A	3	Screw, 1/4-20 x 29/32"
147	33509	1	* "O" Ring (Also Incl. in 401)
148	34410	1	* "O" Ring (Also Incl. in 401)
149	33510	2	Valve Spring Cap
150	33507	2	Valve Spring
151	33508	2	Valve Spring Keeper
154	650756	2	Rocker Arm Stud
155	33485	1	Rocker Arm
157	33486	2	Retaining Ring
158	33471	2	Push Rod
159	33487	1	* "O" Ring (Also Incl. in 401)
160	33488	1	Rocker Arm Housing
161	650755	1	Screw, 1/4-20 x 3/4"
162	650864	1	Nut, 1/4-20
169	31958A	1	* Valve Cover Gasket (Also Incl. in 401)
170	33489	1	Breather Body
173	33490	1	Breather Tube
174	30102	2	* Screw, 10-32 x 5/8" (Also Incl. in 40 1)
182	650378	2	Screw, Torx T-30, 5/16-18 x 1-1/8"
184	33476A	2	* Carburetor To Intake Pipe Gasket
185	33475	1	Intake Pipe

Ref #	Part Number	Qty	Description
186	33478	1	Governor Link
203	33099	1	Compression Spring
204	650591	1	Screw, 10-24 x 2"
210	27793	1	Conduit Clip
211	28942	1	Screw, 10-32 x 3/8"
212	31966	1	Bushing
213	650597	1	Screw, 10-24 x 5/8"
216	31984A	1	R.P.M. Adjusting Lever
223	650971	2	Screw, Torx T-30, 5/16-18 x 7/8"
224	33515A	1	* Intake Pipe Gasket
238	650399	4	Screw, 10-32 x 5/8"
239	35471	1	* Air Cleaner Gasket
242	35473	1	Air Cleaner Bracket
245	32008	1	Air Cleaner Element
250	34193	1	Air Cleaner Cover
251	650513	1	Wing Nut, 1/4-20
260	34195B	1	Blower Housing
261A	650751	1	Screw, 1/4-20 x 7/16"
261	650752	1	Screw, 1/4-20 x 7/16"
264	650650	2	Screw, 10-16 x 3/8"
265	33495	1	Cylinder Head Cover
275	35731	1	Muffler
286	33776	1	Starter Screen
287A	650670	3	Screw, 1/4-20 x 3/4"
287	27070	3	Lock Washer
305A	34650	1	Oil Tube Extension
305	35554	1	Oil Fill Tube
307	35499	1	"O" Ring
310	35594	1	Dipstick
319A	8274	1	Lock Washer
319B	650595	1	Screw, 5/16-24 x 3/8"
324A	610408	2	Nut, 8-32
324	610908	1	Terminal
361A	650797	1	Screw, 5/16-18 x 1/2"
361	650781	2	Screw, 5/16-18 x 11/16"
366A	32143	1	Muffler Nipple
367	650590	1	Nut
370	36261	1	Instruction Decal
370A	35532	1	Name Decal
370B	35274	1	Instruction Decal
380	632456A	1	Carburetor (Incl. 184)
395	33835	1	Electric Starter Motor
400	33516F	1	* Gasket Set (Incl. items marked PK i n notes) Incl. part #'s 29673 (1), 30102 (2), 31950 (2), 31956B (1), 31958A (1), 31971 (2), 31972 (1), 32031 (1), 32599 (1), 33476A (2), 33481 (4), 33484 (3), 33487 (1), 33509 (1), 33515A (1), 34225A (1), 34302A (1), 34410 (1), 34641A (1), 35471 (1)
401	35075A	1	* "O" Ring Set (Also Incl. in 400) 30102 (2), 31958A (1), 33481(4), 33484 (3), 33487 (1), 33509 (1) 34410 (1)
409A	650675	3	Flat Washer
409	32426	3	Spacer
420	730225	1	SAE 30 4-Cycle Engine Oil (Quart)
480	31971	2	* Shim Gasket (.004/.005) (See Repair M anual)
481	31972	1	* Shim Gasket (.005/.007) (See Repair M anual)
482	32031	1	* Steel Spacer (.010) (See Repair Manua l)



Ref #	Part Number	Qty	Description
16B	31965	1	Governor Spring Plate
238	650399	4	Screw, 10-32 x 5/8"
239A	34197	1	Air Cleaner Gasket
245	32008	1	Air Cleaner Element
248	34194A	1	Air Cleaner Tube
251	650513	1	Wing Nut, 1/4-20
261A	650751	1	Screw, 1/4-20 x 7/16"
271A	35732	1	Muffler Clamp
290	29774	1	Fuel Line
292	26460	2	Fuel Line Clamp
293	35807	1	Pulse Pump
303	29634	1	Fuel Fitting
314	650521	2	Screw, 10-32 x 1-1/8"
315	610902	1	Alternator Coil (20 Amp)(Incl. 322,32 3&323A)
319	30063	1	Screw, Torx T-30, 1/4-20 x 1/2"
320	610996	1	Reg. Rect. (20 Amp)(Incl. 319, 322,B, 323B-E)
322	611201	1	Connector Body
322	610990	1	Connector Body
322B	610921	1	Connector Body
323B	610989	1	Terminal
323C	610991	2	Terminal
323D	610992	1	Terminal
323E	610922	1	Terminal
323	610904	1	Terminal
323A	610905	2	Terminal