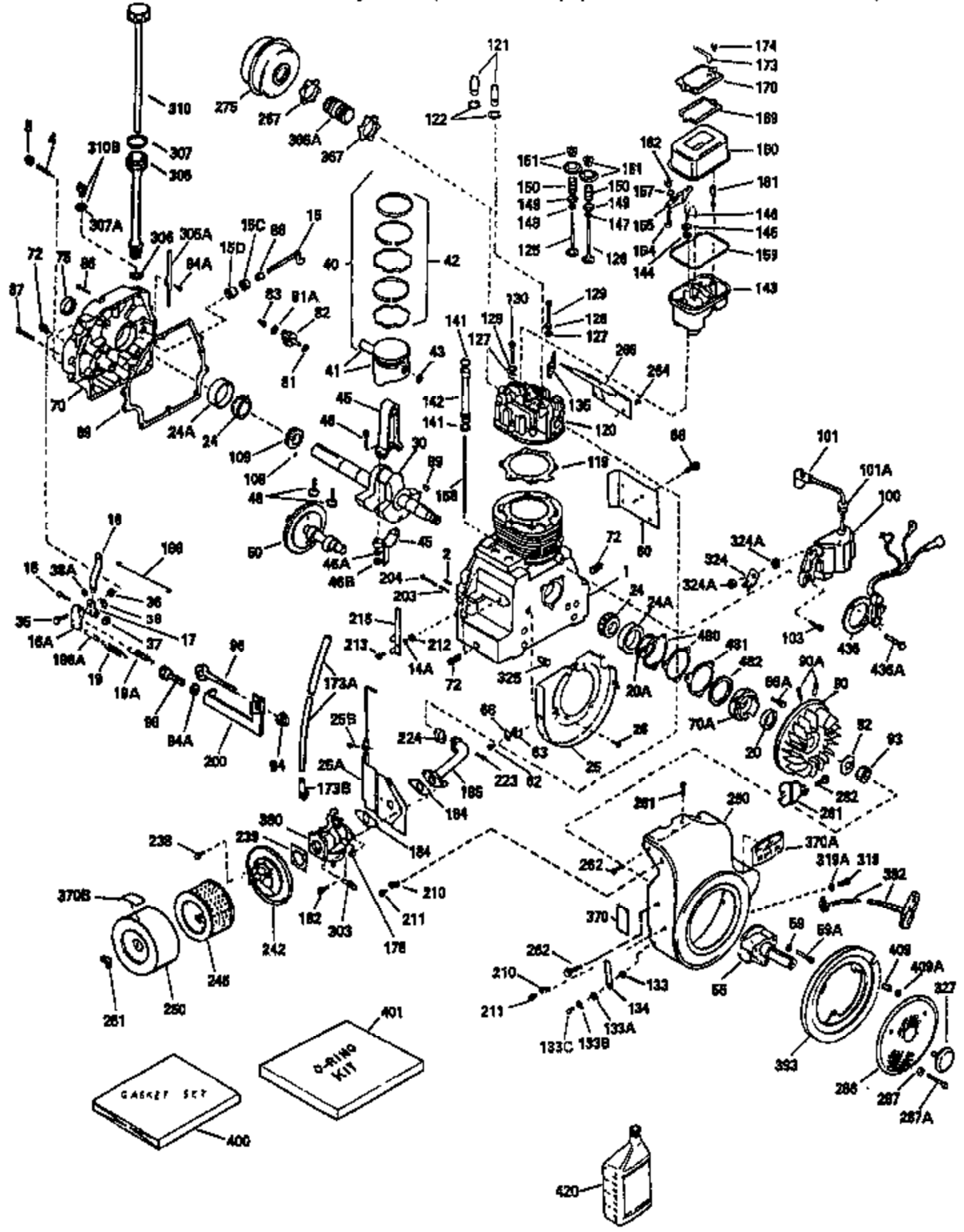


VIEW 1 of 3 ... this illustration may not depict actual equipment and is for reference only!

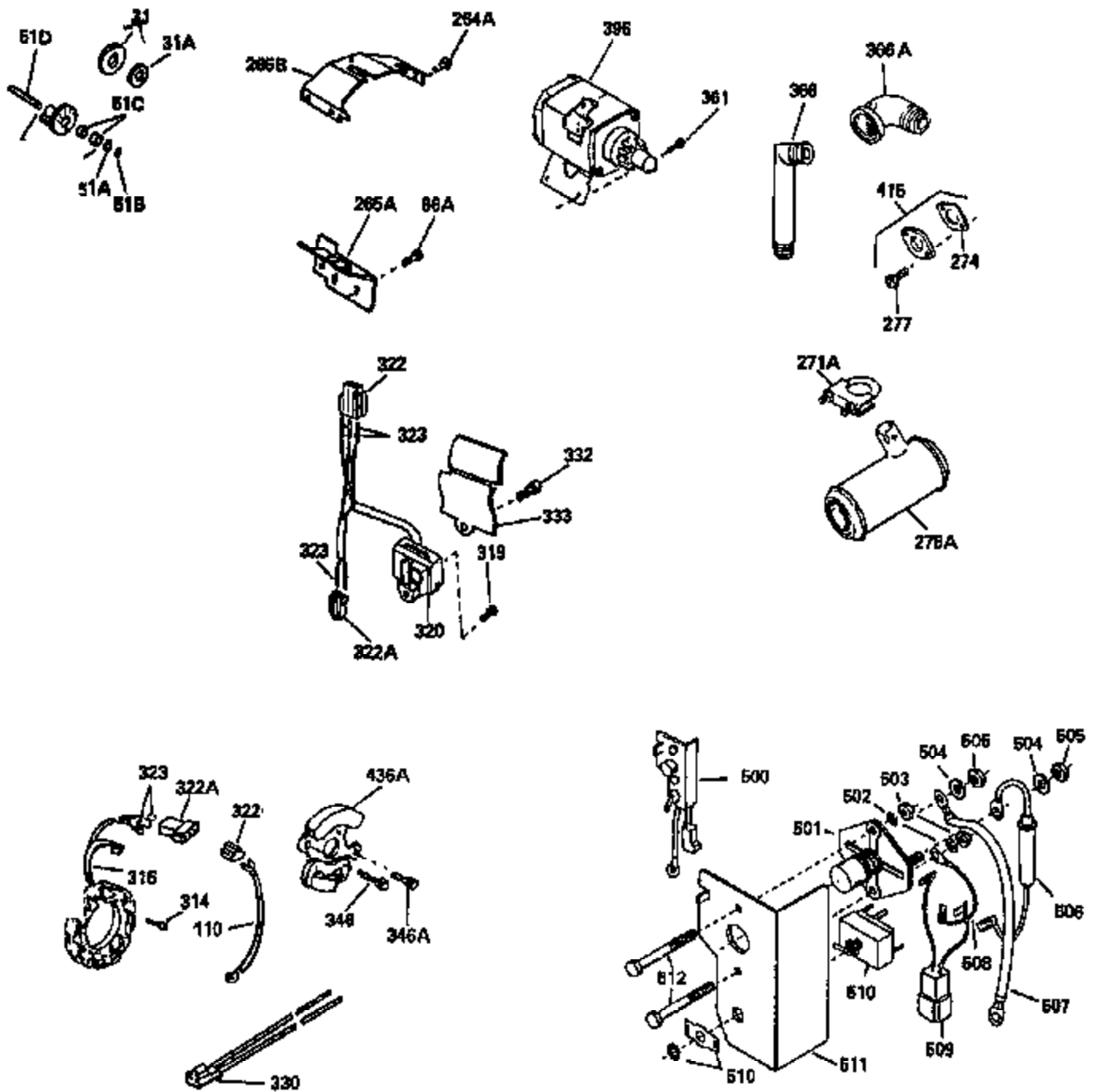


Ref #	Part Number	Qty	Description
	1 34648A	1	Cylinder (Incl. 2, 72 & 75)
	2 27652	2	Dowel Pin
	14A 28558	1	Washer
	15D 34223	1	Needle Bearing
	15 32425	1	Governor Rod
	15C 34222	1	Needle Bearing
	16A 31965	1	Governor Spring Plate
	16 31963	1	Governor Lever
	17 31964	1	Governor Lever Clamp
	18 650544	1	Screw, Torx T-25, 10-24 x 7/8"
	19 31967	1	Extension Spring
	20A 32599	1	* "O" Ring
	20 31950	1	* Oil Seal
	24A 31928	1	Bearing Cup
	24 31932	2	Tapered Roller Bearing
	25B 651031	1	Screw, 1/4-20 x 9/16"
	25 32579	1	Blower Housing Baffle
	25A 33477A	1	Air Baffle
	26 650561	3	Screw, 1/4-20 x 5/8"
	30 34402A	1	Crankshaft
	35 30312	1	Screw, 10-32 x 1/2"
	37 7975	1	Lock Nut, 10-24
	38 29193	1	Retaining Ring
	38A 650518	1	Washer
	40 34624	1	Piston, Pin & Ring Set (Std.)
	40 34625	1	Piston, Pin & Ring Set (.010" OS)
	40 34626	1	Piston, Pin & Ring Set (.020" OS)
	41 34629	1	Piston & Pin Ass'y. (Std.) (Incl. 43)
	41 34630	1	Piston & Pin Ass'y. (.010" OS) (Incl. 43)
	41 34631	1	Piston & Pin Ass'y. (.020" OS) (Incl. 43)
	42 34635	1	Ring Set (Std.)
	42 34636	1	Ring Set (.010" OS)
	42 34637	1	Ring Set (.020" OS)
	43 34634	2	Piston Pin Retaining Ring
	45 34640	1	Connecting Rod Ass'y. (Incl.46 - 46B)
	45 35243	1	Connecting Rod Ass'y.(.010" US)(Incl. 46-46B)
	45 35244	1	Connecting Rod Ass'y.(.020" US)(Incl. 46-46B)
	46 32077	2	Connecting Rod Bolt
	46A 26073	2	Washer
	46B 28264	2	Nut
	48 33472	2	Valve Lifter
	50 34752	1	Camshaft (MCR)
	60 33479	1	Blower Housing Extension
	62 650760	1	Screw, 8-32 x 3/8"
	63 28545	1	Grommet
	68 33356	1	Ground Terminal
	69 31956B	1	* Cylinder Cover Gasket
	70 34221	1	Cylinder Cover (Incl. 15,20,38,72,88)
	70A 32577	1	Cylinder Cover (See Ref. #'s 480-482)
	72 31927	2	Oil Drain Plug
	72A 28534	1	Oil Drain Plug
	75 31950	1	Oil Seal
	81A 650745	1	Washer
	81 30590A	1	Washer
	82 34751	1	Governor Gear Ass'y.
	83 35322	1	Governor Spool
	86A 792028	3	Screw, 5/16-18 x 7/8"
	86 650588	1	Screw, 1/4-20 x 2"

Ref #	Part Number	Qty	Description
87	650451	8	Screw, 1/4-20 x 1"
88	32426	1	Spacer
89	650592	1	Flywheel Key
90	610967	1	Flywheel (Incl. 90A)
90A	730201	1	Trigger Pin Kit
92	650666	1	Washer
93	650594	1	Flywheel Nut
100	610906	1	Solid State Ignition
101A	610750	1	Grommet
101	610118	1	Spark Plug Cover
103	650661	2	Screw, 1/4-20 x 3/4"
108	29783	1	Crankshaft Pin
109	34692	1	Crankshaft Gear
119	34641A	1	* Cylinder Head Gasket
120	34771	1	Cylinder Head
121	730218	2	Valve Guide Kit (Incl. 2 of 122)
122	792035	2	Retaining Ring
125	33506	1	Exhaust Valve (Std.) (Incl. 151)
125	33646	1	Exhaust Valve (1/32" OS) (Incl. 151)
126	34643	1	Intake Valve (Std.) (Incl. 151)
126	34644	1	Intake Valve (1/32" OS) (Incl. 151)
127	650691	6	Washer
128	650690	6	Belleville Washer
129	650692	4	Screw, 5/16-18 x 1-3/4"
130	650746	2	Screw, 5/16-18 x 1-3/8"
133	650890	1	Lock Washer, 5/16
133A	26073	1	Washer
133C	650624	1	Screw, 5/16-24 x 9/16"
134	32039	1	Shorting Clip
135	34645	1	Resistor Spark Plug (RN4C)
141	33481	4	* "O" Ring (Also Incl. in 401)
142	35475	2	Push Rod Tube
143	34754	1	Rocker Arm Housing
144	33484	3	* "O" Ring (Also Incl. in 401)
145	650168	3	Washer
146	32610A	3	Screw, 1/4-20 x 29/32"
147	33509	1	* "O" Ring (Also Incl. in 401)
148	34410	1	* "O" Ring (Also Incl. in 401)
149	33510	2	Valve Spring Cap
150	33507	2	Valve Spring
151	33508	2	Valve Spring Keeper
154	650756	2	Rocker Arm Stud
155	33485	1	Rocker Arm
157	33486	2	Retaining Ring
158	33471	2	Push Rod
159	33487	1	* "O" Ring (Also Incl. in 401)
160	33488	1	Rocker Arm Housing
161	650755	1	Screw, 1/4-20 x 3/4"
162	650864	1	Nut, 1/4-20
169	31958A	1	* Breather Gasket (Also Incl. in 401)
170	33489	1	Breather Body
173	33490	1	Breather Tube
174	30102	2	* Screw, 10-32 x 5/8" (Also Incl. in 40 1)
182	650378	2	Screw, Torx T-30, 5/16-18 x 1-1/8"
184	33476A	2	* Carburetor To Intake Pipe Gasket
185	33475	1	Intake Pipe
186	33478	1	Governor Link
203	33099	1	Compression Spring

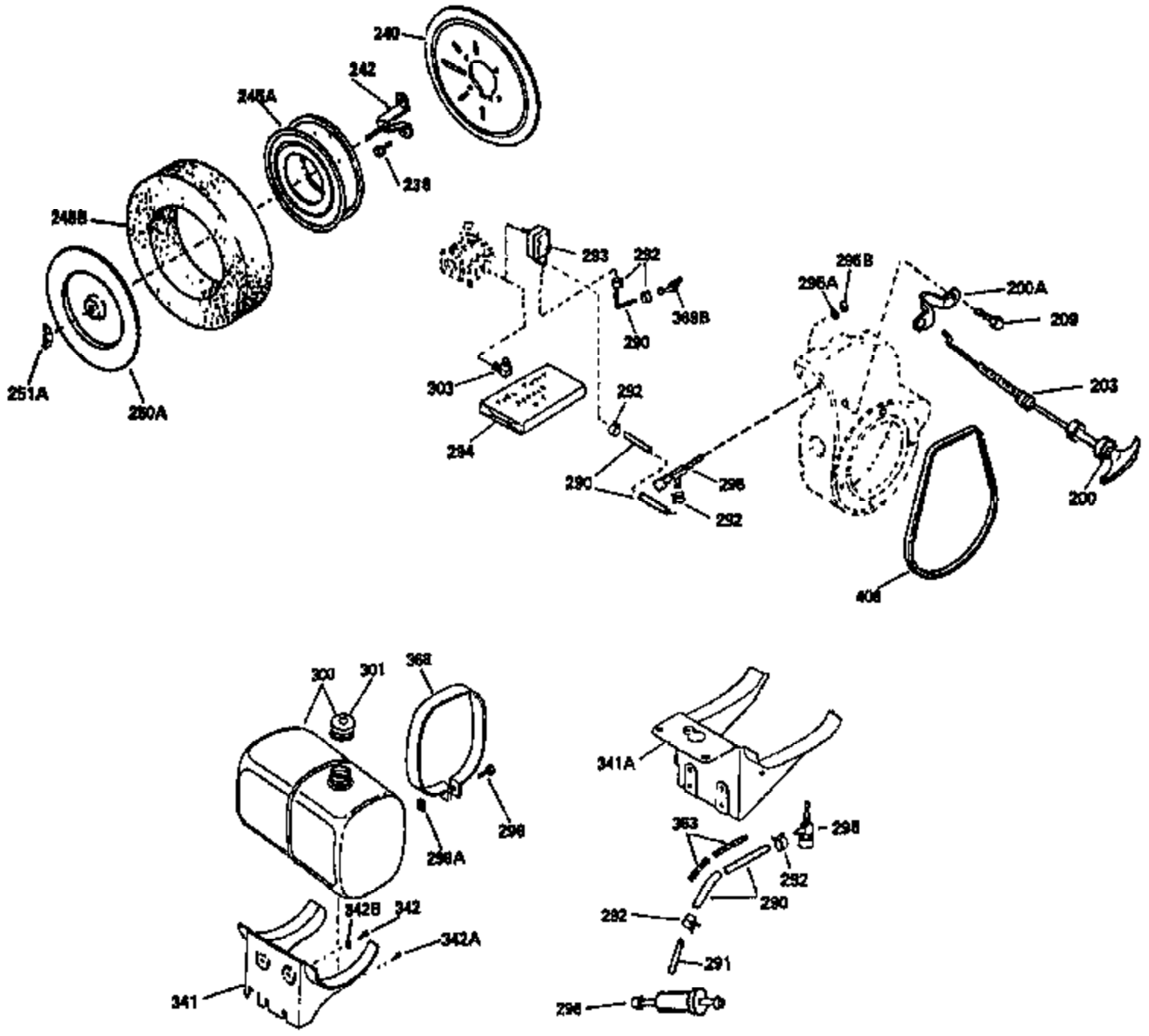
Ref #	Part Number	Qty	Description
204	650591	1	Screw, 10-24 x 2"
212	31966	1	Bushing
213	650597	1	Screw, 10-24 x 5/8"
216	31984A	1	R.P.M. Adjusting Lever
223	650971	2	Screw, Torx T-30, 5/16-18 x 7/8"
224	33515A	1	* Intake Pipe Gasket
238	650399	4	Screw, 10-32 x 5/8"
239A	34197	1	Air Cleaner Gasket
239	35471	1	* Air Cleaner Gasket
245	32008	1	Air Cleaner Element
248	34194A	1	Air Cleaner Tube
250	34193	1	Air Cleaner Cover
251	650513	1	Wing Nut, 1/4-20
260	34195B	1	Blower Housing
261	650752	1	Screw, 1/4-20 x 7/16"
262	650751	1	Screw, 1/4-20 x 7/16"
264	650650	2	Screw, 10-16 x 3/8"
265	33495	1	Cylinder Head Cover
275	35731	1	Muffler
281	33013	1	Starter Bubble Cover
282	650701	1	Screw, 8-18 x 7/16"
286	33776	1	Starter Screen
287A	650680	3	Screw, 1/4-20 x 1-1/2"
287	27070	3	Washer
298A	650456	2	Lock Nut, 1/4-20
303	29634	2	Fuel Fitting
305	35574	1	Oil Fill Tube
307	35499	1	* "O" Ring
310	35599	1	Dipstick
319A	8274	1	Lock Washer
319	650595	1	Screw, 5/16-24 x 3/8"
324A	610408	2	Nut, 8-32
324	610908	1	Terminal
325	29443	1	Wire Clip
355	590701	1	Starter Handle
366A	32143	1	Muffler Nipple
367	650950	1	Nut
370	36261	1	Name Decal
370G	35274	1	Oil Instruction Decal
380	632477	1	Carburetor (Incl. 184)
392	32046	1	Starter Rope
393	31980	1	Starter Rope Pulley
400	33516F	1	* Gasket Set (Incl. items marked PK i n notes) Incl. part #'s 29673 (1),30102 (2),31950 (2),31956B (1),31958A (1),31971 (2),31972 (1),32031 (1),32599 (1),33476A (2),33481 (4),33484 (3),33487 (1),33509 (1),33515A (1),34225A (1),34302A (1),34410 (1),34644A(1),35471 (1)
401	35075A	1	* "O" Ring Set (Also Incl. in 400) 30102 (2), 31958A (1), 33481 (4), 33484 (3), 33487 (1), 33509 (1), 34410 (1)
409	31992	3	Spacer
420	730225	1	SAE 30 4-Cycle Engine Oil (Quart)
436A	650399	2	Screw, 10-32 x 5/8"
436	610965	1	Stator Plate Ass'y.
480	31971	1	* Shim Gasket (.004/.005) (See Repair M anual)
481	31972	1	* Shim Gasket (.005/.007) (See Repair M anual)
482	32031	1	* Steel Spacer (.010) (See Repair Manua l)

VIEW 2 of 3 ... this illustration may not depict actual equipment and is for reference only!



Ref #	Part Number	Qty	Description
72A	28534	1	Oil Drain Plug
88	32426	1	Spacer
133C	650624	1	Screw, 5/16-24 x 9/16"
135	34645	1	Resistor Spark Plug (RN4C)
147	33509	1	* "O" Ring (Also Incl. in 401)
239A	34197	1	Air Cleaner Gasket
248	34194A	1	Air Cleaner Tube
251	650513	1	Wing Nut, 1/4-20
265	33495	1	Cylinder Head Cover
271A	35732	1	Muffler Clamp
271A	35732	1	Muffler Clamp
298A	650456	2	Lock Nut, 1/4-20
305	35574	1	Oil Fill Tube
319	650595	1	Screw, 5/16-24 x 3/8"
332	650650	1	Screw, 10-16 x 3/8"
333	34276	1	Regulator Cover
355	590701	1	Starter Handle
366A	32143	1	Muffler Nipple
370G	35274	1	Oil Instruction Decal
436A	650399	2	Screw, 10-32 x 5/8"

VIEW 3 of 3 ... this illustration may not depict actual equipment and is for reference only!



Ref #	Part Number	Qty	Description
72A	28534	1	Oil Drain Plug
88	32426	1	Spacer
133C	650624	1	Screw, 5/16-24 x 9/16"
135	34645	1	Resistor Spark Plug (RN4C)
147	33509	1	* "O" Ring (Also Incl. in 401)
203	33099	1	Compression Spring
238	650399	4	Screw, 10-32 x 5/8"
239A	34197	1	Air Cleaner Gasket
240	35473	1	Air Cleaner Bracket
248	34194A	1	Air Cleaner Tube
251	650513	1	Wing Nut, 1/4-20
265	33495	1	Cylinder Head Cover
290	29774	1	Fuel Line
291	30962	1	Fuel Line
292	26460	1	Fuel Line Clamp
293	35807	1	Pulse Pump
294	35791	1	Fuel Pump Repair Kit
295	29683	1	Fuel Shut-Off Valve
298A	650456	2	Lock Nut, 1/4-20
298	650488	2	Screw, 1/4-20 x 1-1/4"
300	33979	1	Fuel Tank
303	29634	2	Fuel Fitting
305	35574	1	Oil Fill Tube
341	33978	1	Fuel Tank Bracket
342	650786	2	Screw, 1/4-20 x 5/8"
342B	650787	2	Belleville Washer
342A	650785	2	Screw, 5/16-18 x 5/8"
355	590701	1	Starter Handle
368	33980	2	Fuel Tank Strap
370G	35274	1	Oil Instruction Decal