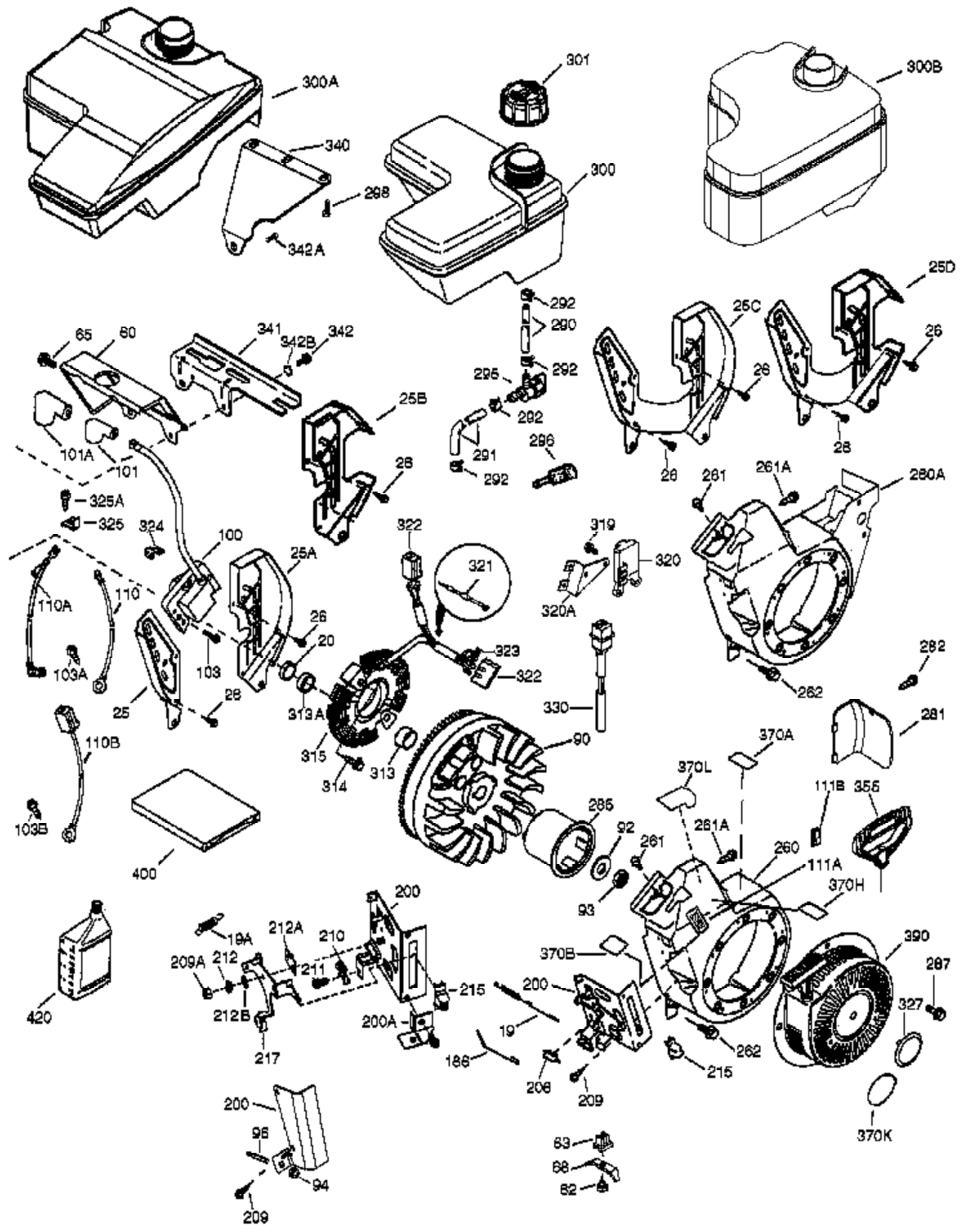


Ref #	Part Number	Qty	Description
	1 37120B	1	Cylinder (Incl. 2, 20, 72 & 72A)
	2 26727	2	Dowel Pin
	14 651052	1	Washer
	15 37158	1	Governor Rod
	16 37162	1	Governor Lever
	23 36732	1	Ball Bearing
	27 36733	1	Retainer Ring
	30 36880	1	Crankshaft
	35 651053	1	Screw, T-25, 10-32 x 63/64"
	37 29216	1	Lock Nut, 10-32
	38 37109	1	Retaining Ring
	40 40004	1	Piston, Pin & Ring Set (Std.)
	40 40005	1	Piston, Pin & Ring Set (.010" OS)
	41 36070	1	Piston & Pin Ass'y (Std.) (Incl. 43)
	41 36071	1	Piston & Pin Ass'y (.010" OS) (Incl. 43)
	42 40006	1	Ring Set (Std.)
	42 40007	1	Ring Set (.010" OS)
	43 20381	2	Piston Pin Retaining Ring
	45 32875A	1	Connecting Rod Ass'y (Incl. 46 & 49)
	46 32610A	2	Connecting Rod Bolt
	48 35616	2	Valve Lifter
	49 36611	1	Oil Dipper
	50 37040	1	Camshaft (Incl. 253 & 254)
	64 651031	1	Screw, 1/4-20 x 9/16"
	69 36624	1	Cylinder Cover Gasket
	70 37182	1	Cylinder Cover Ass'y.
	72A 28582	1	Oil Drain Plug
	72 27642	2	Oil Drain Plug
	74A 28537	1	Washer
	74 30200	1	Screw, 10-24 x 9/16"
	75 36742	1	Oil Seal
	80 37160	1	Governor Shaft
	81 30590A	1	Washer
	82 37161	1	Governor Gear Ass'y (Incl. 81)
	83 35322	1	Governor Spool
	86 650488	8	Screw, 1/4-20 x 1-1/4"
	89 610961	1	Flywheel Key
	119 36719	1	* Cylinder Head Gasket
	120 37474	1	Cylinder Head
	125 36471	1	Exhaust Valve (Std.) (Incl. 151)
	125 36472	1	Exhaust Valve (1/32" OS) (Incl. 151)
	126 37711	1	Intake Valve (Std.) (Incl. 151)
	130A 650999	1	Screw, 5/16-18 x 2-41/64"
	130 650912	4	Screw, 5/16-18 x 1-1/2"
	135 34645	1	Resistor Spark Plug (RN4C)
	150 37039	2	Valve Spring
	151 31673	2	Valve Spring Cap
	151A 40016A	1	Intake Valve Seal
	153 36649	1	Push Rod Guide
	154 650913	2	Rocker Arm Stud
	155 35624A	2	Rocker Arm
	157 650914	2	Nut, 1/4-28
	158 36629	2	Push Rod
	159 35626	1	* Rocker Arm Cover Gasket
	160 36630B	1	Rocker Arm Cover
	161 651008	2	Screw, 1/4-20 x 31/64"
	173 36675A	1	Breather Tube
	178 650852	2	Nut, 1/4-20

Ref #	Part Number	Qty	Description
182	650451	2	Screw, 1/4-20 x 1"
184	26756	1	* Carburetor To Intake Pipe Gasket
185	36631	1	Intake Pipe
207	36632	1	Throttle Link
223	650451	2	Screw, 1/4-20 x 1"
224	36581	1	* Intake Pipe Gasket
238	28820	2	Screw, 10-32 x 1/2"
239	27272A	1	* Air Cleaner Gasket
240	36633A	1	Air Cleaner Body (Incl. 239)
245	36046	1	Air Cleaner Filter
245A	36634	1	Air cleaner Prefilter
250	37073	1	Air Cleaner Cover
250A	37074	1	Air Cleaner Baffle
251	650886	1	Wing Nut
252	650821	1	Screw, 10-32 x 1/2"
253	36701	1	Compression Release Weight
254	36702	1	Compression Release Spring
275	37595	1	Muffler
277	650988	2	Screw, 1/4-20 x 2-9/32"
279	650852	1	Nut & Lock Washer
305	36877	1	Oil Fill Tube
307	35499	1	"O" Ring
308	37079	1	Fill Tube Clip
310	36878	1	Dipstick
380	640135	1	Carburetor (Incl. 184)
600	651013	1	Washer



Ref #	Part Number	Qty	Description
19	37163	1	Extension Spring
20	32600	1	Oil Seal
25C	37709	1	Air Baffle
26	30200	1	Screw, 10-24 x 9/16"
60	36623A	1	Blower Housing Extension
65	30200	1	Screw, 10-24 x 9/16"
90	611205	1	Flywheel
92	650815	1	Belleville Washer
93	650816	1	Flywheel Nut
94	651016	1	Lock Nut, 10-32
96	30845A	1	RPM Adjusting Bolt
100	34443C	1	Solid State Ignition
101	610118	1	Spark Plug Cover
103A	650767	1	Screw, 8-32 x 27/64"
103	651007	2	Screw, T-15, 10-24 x 15/16"
110	35589	1	Ground Wire
110A	36964	1	Ground Wire
111A	611224	1	Rocker Switch
200	37123	1	Control Bracket
209	650821	2	Screw, 10-32 x 1/2"
260	36992	1	Blower Housing
261A	650821	2	Screw, 10-32 x 1/2"
261	651008	1	Screw, 1/4-20 x 31/64"
262	651008	2	Screw, 1/4-20 x 31/64"
285	35985C	1	Starter Cup
287	651008	4	Screw, 1/4-20 x 31/64"
290	30705	1	Fuel Line
291	29774	1	Fuel Line
292	26460	4	Fuel Line Clamp
295	35857	1	Fuel Shut-Off Valve (Incl. 292)
298	650665	2	Screw, 1/4-15 x 3/4"
300	37002	1	Fuel Tank (Incl. 292 & 301)
301	37845	1	Fuel Cap
313	34080	1	Spacer
340	37071	1	Fuel Tank Bracket
341	36644A	1	Fuel Tank Bracket
342	651010	2	Screw, 1/4-20 x 7/8"
342	651085	2	Screw, 1/4-20 x 19/32"
342B	651086	2	Rubber Washer
342A	650738	1	Screw, 1/4-20 x 5/8"
370K	36695	1	Decal 6.0 HP
370A	36261	1	Identification Decal
390	590746	1	Rewind Starter (NOTE: This engine could have been built with 590704 starter.)
400	36720	1	* Gasket Set (Incl. items marked PK in notes)
420	730225A	1	SAE 30, 4-Cycle Engine Oil (Quart)