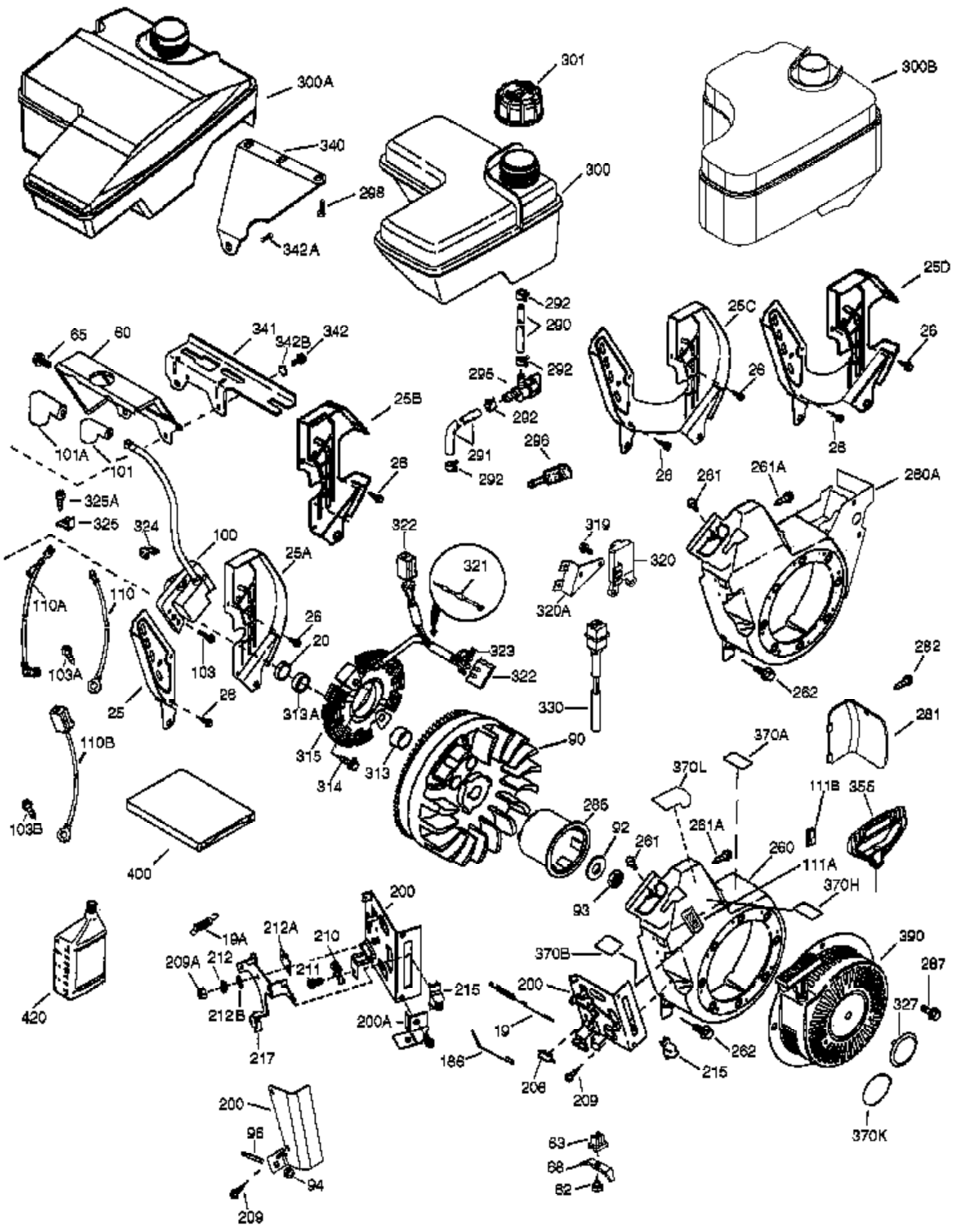


| Ref # | Part Number | Qty | Description |
|-------|-------------|-----|--|
| 1 | 37120B | 1 | Cylinder (Incl. 2, 20, 72 & 72A) |
| 2 | 26727 | 2 | Dowel Pin |
| 4 | 31857 | 1 | Oil Drain Extension |
| 5 | 30969 | 1 | Extension Cap |
| 14 | 651052 | 1 | Washer |
| 15 | 37108 | 1 | Governor Rod |
| 16 | 37110 | 1 | Governor Lever |
| 30 | 36483 | 1 | Crankshaft |
| 35 | 651053 | 1 | Screw, T-25, 10-32 x 63/64" |
| 37 | 29216 | 1 | Lock Nut, 10-32 |
| 38 | 37109 | 1 | Retaining Ring |
| 40 | 40004 | 1 | Piston, Pin & Ring Set (Std.) |
| 40 | 40005 | 1 | Piston, Pin & Ring Set (.010" OS) |
| 41 | 36070 | 1 | Piston & Pin Ass'y (Std.) (Incl. 43) |
| 41 | 36071 | 1 | Piston & Pin Ass'y (.010" OS) (Incl. 43) |
| 42 | 40006 | 1 | Ring Set (Std.) |
| 42 | 40007 | 1 | Ring Set (.010" OS) |
| 43 | 20381 | 2 | Piston Pin Retaining Ring |
| 45 | 32875A | 1 | Connecting Rod Ass'y (Incl. 46 & 49) |
| 46 | 32610A | 2 | Connecting Rod Bolt |
| 48 | 35616 | 2 | Valve Lifter |
| 49 | 36611 | 1 | Oil Dipper |
| 50 | 37040 | 1 | Camshaft (Incl. 253 & 254) |
| 64 | 651015 | 1 | Screw, 1/4-20 x 1-1/8" |
| 69 | 36624 | 1 | * Cylinder Cover Gasket |
| 70 | 36625 | 1 | Cylinder Cover (Incl. 75 thru 83 & 31 1) |
| 72 | 27642 | 2 | Oil Drain Plug |
| 72A | 28582 | 1 | Oil Drain Plug |
| 75 | 27897 | 1 | Oil Seal |
| 80 | 30574A | 1 | Governor Shaft |
| 81 | 30590A | 1 | Washer |
| 82 | 30591 | 1 | Governor Gear Assembly (Incl. 81) |
| 83 | 36057 | 1 | Governor Spool |
| 86 | 650488 | 8 | Screw, 1/4-20 x 1-1/4" |
| 89 | 610961 | 1 | Flywheel Key |
| 119 | 36719 | 1 | * Cylinder Head Gasket |
| 120 | 37474 | 1 | Cylinder Head |
| 125 | 36471 | 1 | Exhaust Valve (Std.) (Incl. 151) |
| 125 | 36472 | 1 | Exhaust Valve (1/32" OS) (Incl. 151) |
| 126 | 37711 | 1 | Intake Valve (Std.) (Incl. 151) |
| 130A | 650999 | 1 | Screw, 5/16-18 x 2-41/64" |
| 130 | 650912 | 4 | Screw, 5/16-18 x 1-1/2" |
| 135 | 34645 | 1 | Resistor Spark Plug (RN4C) |
| 150 | 37039 | 2 | Valve Spring |
| 151 | 31673 | 2 | Valve Spring Cap |
| 151A | 40016A | 1 | Intake Valve Seal |
| 153 | 36649 | 1 | Push Rod Guide |
| 154 | 650913 | 2 | Rocker Arm Stud |
| 155 | 35624A | 2 | Rocker Arm |
| 157 | 650914 | 2 | Nut, 1/4-28 |
| 158 | 36629 | 2 | Push Rod |
| 159 | 35626 | 1 | * Rocker Arm Cover Gasket |
| 160 | 36630B | 1 | Rocker Arm Cover |
| 161A | 651012 | 2 | Stud |
| 161 | 651008 | 2 | Screw, 1/4-20 x 31/64" |
| 173 | 36675A | 1 | Breather Tube |
| 178 | 650852 | 2 | Nut, 1/4-20 |
| 178 | 650852 | 2 | Nut, 1/4-20 |

| Ref # | Part Number | Qty | Description |
|-------|-------------|-----|---|
| 182 | 650451 | 2 | Screw, 1/4-20 x 1" |
| 184 | 26756 | 1 | * Carburetor To Intake Pipe Gasket |
| 185 | 36631 | 1 | Intake Pipe |
| 207 | 36632 | 1 | Throttle Link |
| 223 | 650451 | 2 | Screw, 1/4-20 x 1" |
| 224 | 36581 | 1 | * Intake Pipe Gasket |
| 238 | 28820 | 2 | Screw, 10-32 x 1/2" |
| 239 | 27272A | 1 | * Air Cleaner Gasket |
| 240 | 36633A | 1 | Air Cleaner Body (Incl. 239) |
| 245A | 36634 | 1 | Air Cleaner Prefilter |
| 245 | 36046 | 1 | Air Cleaner Filter |
| 250 | 37073 | 1 | Air Cleaner Cover |
| 250A | 37074 | 1 | Air Cleaner Baffle |
| 251 | 650886 | 1 | Wing Nut |
| 253 | 36701 | 1 | Compression Release Weight |
| 254 | 36702 | 1 | Compression Release Spring |
| 275 | 37596 | 1 | Muffler |
| 277 | 650988 | 2 | Screw, 1/4-20 x 2-9/32" |
| 278 | 36674 | 1 | Spacer |
| 280 | 36893 | 1 | Heat Shield |
| 305 | 36877 | 1 | Oil Fill Tube |
| 307 | 35499 | 1 | O-ring |
| 310 | 36878 | 1 | Dipstick |
| 380 | 640340 | 1 | Carburetor (Incl. 184) |
| 416 | 36085 | 1 | Spark Arrestor Kit (Incl. 417) (Optional) |
| 417 | 650760 | 1 | Screw, 8-32 x 3/8" |
| 600 | 651013 | 1 | Washer |



| Ref # | Part Number | Qty | Description |
|-------|-------------|-----|---|
| 19A | 36750 | 1 | Throttle Spring |
| 20 | 32600 | 1 | Oil Seal |
| 25C | 37709 | 1 | Air Baffle (1 pc.) |
| 26 | 30200 | 2 | Screw, 10-24 x 9/16" |
| 60 | 36623A | 1 | Blower Housing Extension |
| 90 | 611205 | 1 | Flywheel |
| 92 | 650815 | 1 | Belleville Washer |
| 93 | 650816 | 1 | Flywheel Nut |
| 94 | 651016 | 1 | Nut, 10-32 |
| 96 | 30845A | 1 | RPM Adjusting Bolt |
| 100 | 34443C | 1 | Solid State Ignition |
| 101 | 610118 | 1 | Spark Plug Cover |
| 103A | 650767 | 1 | Screw, 8-32 X 27/64" |
| 103 | 651007 | 2 | Screw, T-15, 10-24 x 15/16" |
| 110A | 36964 | 1 | Ground Wire |
| 110 | 35589 | 1 | Ground Wire |
| 111A | 611224 | 1 | Rocker Switch (on/off) |
| 200 | 37123 | 1 | Control Bracket (Incl. 96 & 94) |
| 209 | 650821 | 2 | Screw, 10-32 x 1/2" |
| 260 | 36864 | 1 | Blower Housing |
| 261 | 651008 | 1 | Screw, 1/4-20 x 31/64" |
| 261A | 650821 | 2 | Screw, 10-32 x 1/2" |
| 262 | 651008 | 2 | Screw, 1/4-20 x 31/64" |
| 285 | 35985C | 1 | Starter Cup |
| 287 | 651008 | 4 | Screw, 1/4-20 x 31/64" |
| 290 | 29774 | 1 | Fuel Line |
| 291 | 30705 | 1 | Fuel Line |
| 292 | 26460 | 4 | Fuel Line Clamp |
| 295 | 35857 | 1 | Fuel Shut-Off Valve |
| 300 | 37048 | 1 | Fuel Tank (Incl. 292 & 301) |
| 301 | 37845 | 1 | Fuel Cap |
| 313 | 34080 | 1 | Spacer |
| 341 | 36644A | 1 | Fuel Tank Bracket |
| 342B | 651086 | 2 | Rubber Washer |
| 342 | 651085 | 2 | Screw, 1/4-20 x 19/32" |
| 370A | 36261 | 1 | Instruction Decal |
| 370K | 36695 | 1 | Starter Decal |
| 390 | 590746 | 1 | Rewind Starter (NOTE: This engine could have been built with 590704 starter.) |
| 400 | 36720 | 1 | * Gasket Set (Incl. items marked PK in notes) |
| 420 | 730225A | 1 | SAE 30 4-Cycle Engine Oil (Quart) |