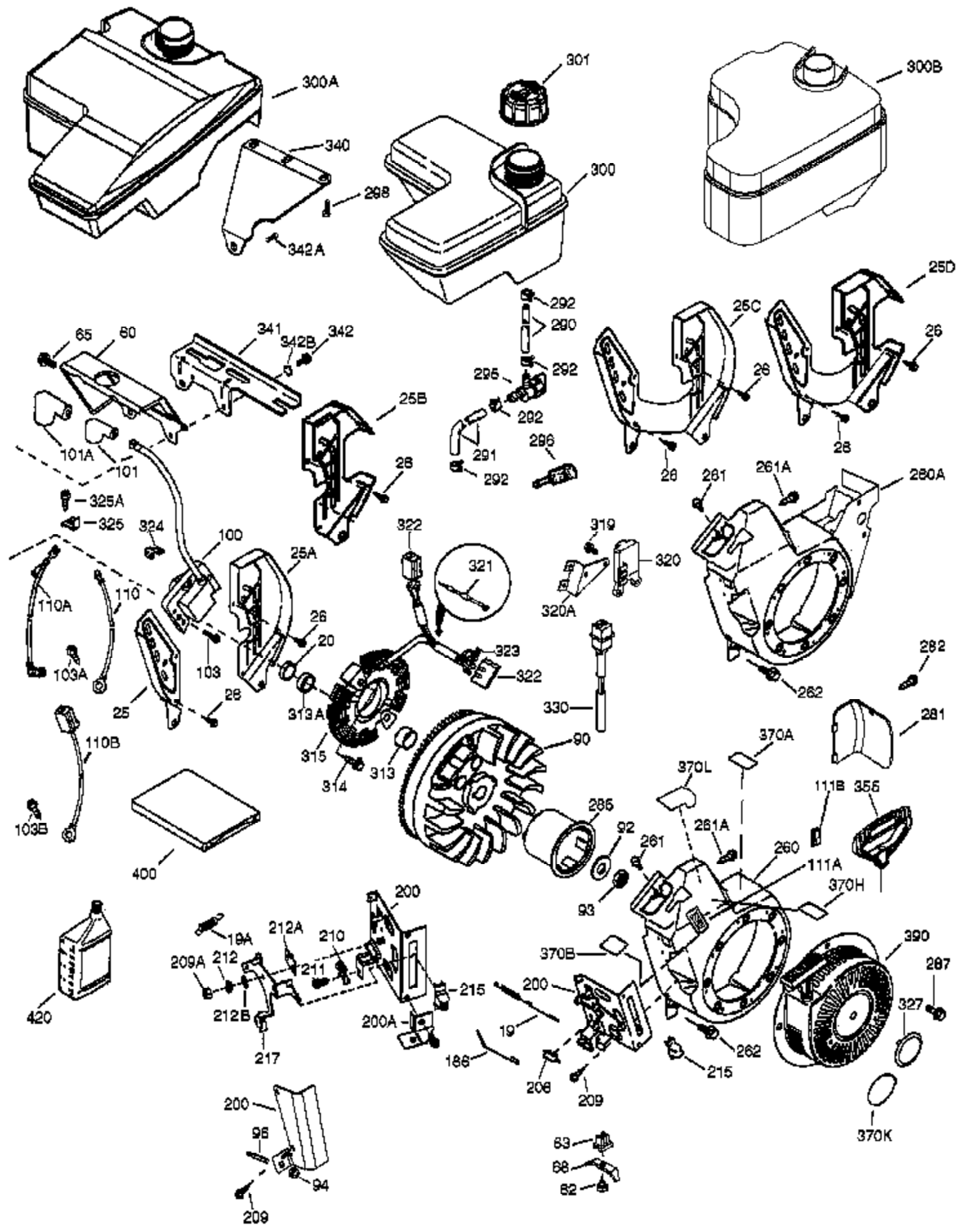


| Ref # | Part Number | Qty | Description |
|-------|-------------|-----|--|
| | 1 37120B | 1 | Cylinder (Incl. 2, 20, 72) |
| | 2 26727 | 2 | Dowel Pin |
| | 14 651052 | 1 | Washer |
| | 15 37108 | 1 | Governor Rod |
| | 16 37110 | 1 | Governor Lever |
| | 30 37142 | 1 | Crankshaft |
| | 35 651053 | 1 | Screw, Torx T-25, 10-32 x 63/64" |
| | 37 29216 | 1 | Lock Nut |
| | 38 37109 | 1 | Retaining Ring |
| | 40 40004 | 1 | Piston, Pin & Ring Set (Std.) |
| | 40 40005 | 1 | Piston, Pin & Ring Set (.010" OS) |
| | 41 36070 | 1 | Piston & Pin Ass'y (Std.) (Incl. 43) |
| | 41 36071 | 1 | Piston & Pin Ass'y (.010" OS) (Incl. 43) |
| | 42 40006 | 1 | Ring Set (Std.) |
| | 42 40007 | 1 | Ring Set (.010" OS) |
| | 43 20381 | 2 | Piston Pin Retaining Ring |
| | 45 32875A | 1 | Connecting Rod Ass'y (Incl. 46 & 49) |
| | 46 32610A | 2 | Connecting Rod Bolt |
| | 48 35616 | 2 | Valve Lifter |
| | 49 36611 | 1 | Oil Dipper |
| | 50 37040 | 1 | Camshaft (Incl. 253 & 254) |
| | 69 36624 | 1 | * Cylinder Cover Gasket |
| | 70 36766 | 1 | Cylinder Cover (Incl. 75 thru 83 & 31 1) |
| | 72A 28582 | 1 | Oil Drain Plug |
| | 72 27642 | 2 | Oil Drain Plug |
| | 75 28460 | 1 | Oil Seal |
| | 80 30574A | 1 | Governor Shaft |
| | 81 30590A | 1 | Washer |
| | 82 30591 | 1 | Governor Gear Ass'y (Incl. 81) |
| | 83 36057 | 1 | Governor Spool |
| | 86 650488 | 8 | Screw, 1/4-20 x 1-1/4" |
| | 89 610961 | 1 | Flywheel Key |
| | 119 36719 | 1 | * Cylinder Head Gasket |
| | 120 37474 | 1 | Cylinder Head |
| | 125 36471 | 1 | Exhaust Valve (Std.) (Incl. 151) |
| | 125 36472 | 1 | Exhaust Valve (1/32" OS) (Incl. 151) |
| | 126 37711 | 1 | Intake Valve (Std.) (Incl. 151) |
| | 130A 650999 | 1 | Screw, 5/16-18 x 2-41/64" |
| | 130 650912 | 4 | Screw, 5/16-18 x 1-1/2" |
| | 135 34645 | 1 | Resistor Spark Plug (RN4C) |
| | 150 37039 | 2 | Valve Spring |
| | 151 31673 | 2 | Valve Spring Cap |
| | 151A 40016A | 1 | Intake Valve Seal |
| | 153 36649 | 1 | Push Rod Guide |
| | 154 650913 | 2 | Rocker Arm Stud |
| | 155 35624A | 2 | Rocker Arm |
| | 157 650914 | 2 | Nut, 1/4-28 |
| | 158 36629 | 2 | Push Rod |
| | 159 35626 | 1 | * Rocker Arm Cover Gasket |
| | 160 36630A | 1 | Rocker Arm Cover |
| | 161 651008 | 2 | Screw, 1/4-20 x 31/64" |
| | 173 36675 | 1 | Breather Tube |
| | 178 650852 | 2 | Nut, 1/4-20 |
| | 182 650451 | 2 | Screw, 1/4-20 x 1" |
| | 184 26756 | 1 | * Carburetor To Intake Pipe Gasket |
| | 185 36631 | 1 | Intake Pipe |
| | 207 36632 | 1 | Throttle Link |
| | 223 650451 | 2 | Screw, 1/4-20 x 1" |

| Ref # | Part Number | Qty | Description |
|-------|-------------|-----|---|
| 224 | 36581 | 1 | * Intake Pipe Gasket |
| 238 | 28820 | 2 | Screw, 10-32 x 1/2" |
| 239 | 27272A | 1 | * Air Cleaner Gasket |
| 240 | 36633A | 1 | Air Cleaner Body (Incl. 239) |
| 245 | 36046 | 1 | Air Cleaner Filter |
| 245A | 36634 | 1 | Air Cleaner Filter (Poly) |
| 250A | 37074 | 1 | Air Cleaner Baffle |
| 250 | 37073 | 1 | Air Cleaner Cover |
| 251 | 650886 | 1 | Wing Nut |
| 253 | 36701 | 1 | Compression Release Weight |
| 254 | 36702 | 1 | Compression Release Spring |
| 275 | 37595 | 1 | Muffler |
| 277 | 650988 | 2 | Screw, 1/4-20 x 2-9/32" |
| 278 | 36893 | 1 | Spacer |
| 279 | 651015 | 1 | Screw, 1/4-20 x 1-1/8" |
| 280 | 36893 | 1 | Heat Shield |
| 305 | 35554 | 1 | Oil Fill Tube |
| 309 | 651011 | 1 | Screw, 10-32 x 5/16" |
| 310 | 36902 | 1 | Dipstick |
| 311 | 27625 | 1 | Oil Fill Plug |
| 361A | 650990 | 3 | Screw, Torx T-30, 1/4-20 x 15/32" |
| 380 | 640345 | 1 | Carburetor (Incl. 184) |
| 395 | 33607A | 1 | Electric Starter Motor (12 Volt) |
| 416 | 36085 | 1 | Spark Arrestor Kit (Incl. 417) (Optional) |
| 417 | 650760 | 1 | Screw, 8-32 x 3/8" |
| 600 | 651013 | 1 | Washer |
| 650 | 37243 | 1 | Belt (Reverse) |



| Ref # | Part Number | Qty | Description |
|-------|-------------|-----|---|
| 19 | 37111 | 1 | Extension Spring |
| 20 | 32600 | 1 | Oil Seal |
| 25D | 37710 | 1 | Air Baffle (1 Piece, Electric Start) |
| 26 | 30200 | 2 | Screw, 10-24 x 9/16" |
| 60 | 36623A | 1 | Blower Housing Extension |
| 65 | 30200 | 1 | Screw, 10-24 x 9/16" |
| 90 | 611234 | 1 | Flywheel |
| 92 | 650815 | 1 | Belleville Washer |
| 93 | 650816 | 1 | Flywheel Nut |
| 100 | 34443C | 1 | Solid State Ignition |
| 101 | 610118 | 1 | Spark Plug Cover |
| 103A | 650767 | 1 | Screw, 8-32 x 27/64" |
| 103 | 651007 | 2 | Screw, Torx T-15, 10-24 x 15/16" |
| 110 | 35589 | 1 | Ground Wire |
| 110A | 36964 | 1 | Ground Wire |
| 111B | 611224 | 1 | Rocker On/Off Switch |
| 186 | 36711 | 1 | Governor Link |
| 200 | 36736 | 1 | Control Bracket (Incl. 206, 210 & 211) |
| 206 | 610973 | 1 | Terminal |
| 209 | 650821 | 1 | Screw, 10-32 x 1/2" |
| 210 | 27793 | 1 | Conduit Clip |
| 211 | 28942 | 1 | Screw, 10-32 x 3/8" |
| 260 | 37045 | 1 | Blower Housing |
| 261 | 651008 | 1 | Screw, 1/4-20 x 31/64" |
| 261A | 650821 | 2 | Screw, 10-32 x 1/2" |
| 262 | 651008 | 2 | Screw, 1/4-20 x 31/64" |
| 285 | 35985B | 1 | Starter Cup |
| 287 | 651008 | 4 | 1/4-20 x 31/64" |
| 290 | 29774 | 1 | Fuel Line (1.50") |
| 291 | 30705 | 1 | Fuel Line (9.50") |
| 292 | 26460 | 3 | Fuel Line Clamp |
| 292 | 26460 | 1 | Fuel Line Clamp |
| 295 | 35857 | 1 | Fuel Shut-Off Valve |
| 300 | 36863 | 1 | Fuel Tank (Incl. 292 & 301) |
| 301 | 37845 | 1 | Fuel Cap |
| 313 | 34080 | 1 | Spacer |
| 313A | 35189 | 1 | Spacer |
| 314 | 650873 | 2 | Screw, 1/4-20 x 3/4" |
| 315 | 611271 | 1 | Alternator Coil (3/5 Split)(Incl. 321 - 323) |
| 321 | 611161 | 1 | Diode |
| 322 | 611229 | 1 | Connector Body |
| 323 | 611230 | 2 | Female Terminal |
| 330 | 34393 | 1 | Wire Harness |
| 341 | 36644A | 1 | Fuel Tank Bracket |
| 342 | 651085 | 2 | Screw, 1/4-20 x 19/32" |
| 342B | 651086 | 2 | Rubber Washer |
| 355 | 590701 | 1 | Starter Handle |
| 370K | 36695 | 1 | Starter Decal |
| 370A | 36261 | 1 | Identification Decal |
| 390 | 590746 | 1 | Rewind Starter (NOTE: This engine could have been built with 590704 starter.) |
| 400 | 36716A | 1 | * Gasket Set (Incl. items marked PK in notes) |
| 420 | 730225A | 1 | SAE 30 4-Cycle Engine Oil (Quart) |