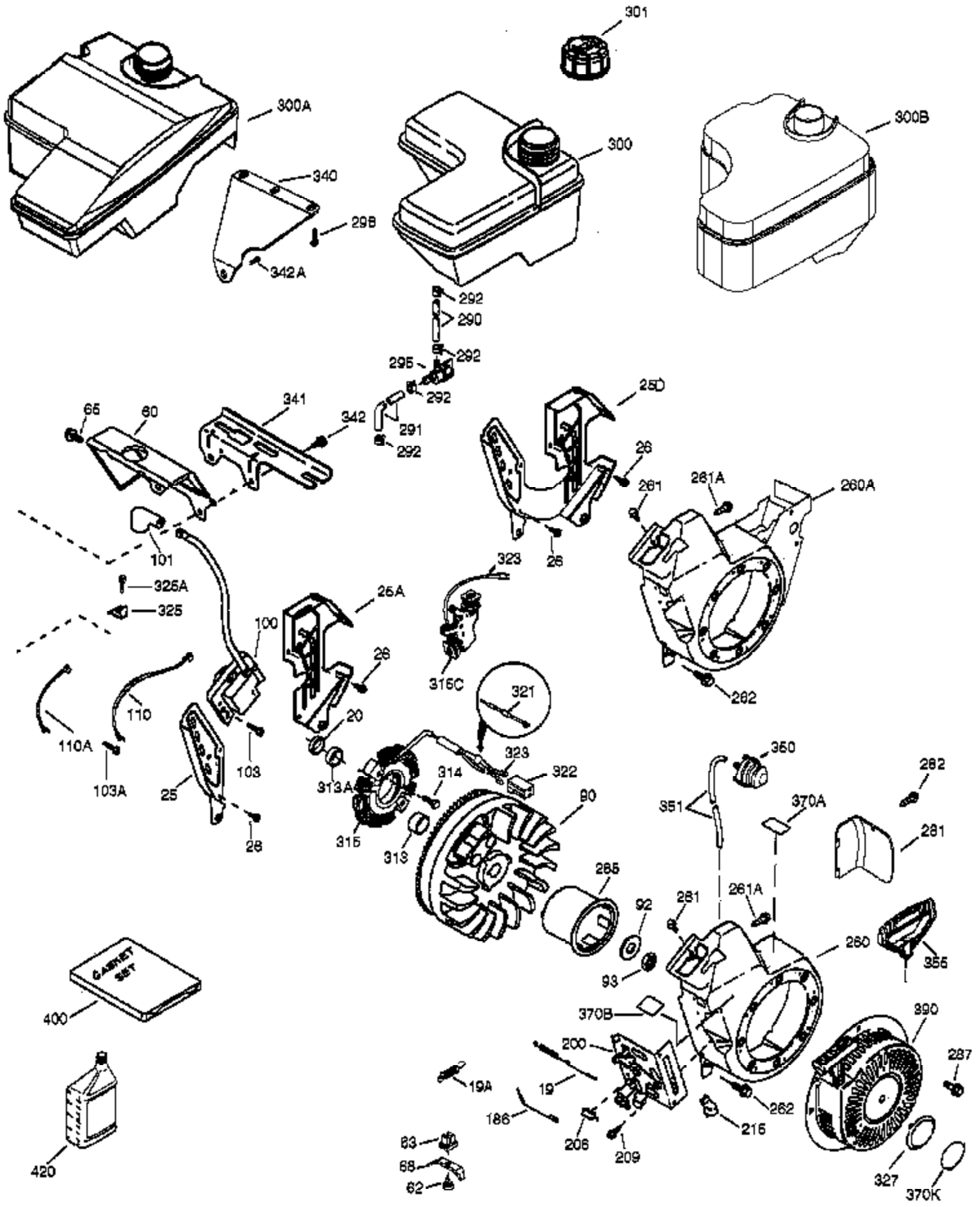




| Ref # | Part Number | Qty | Description                              |
|-------|-------------|-----|--|
| 1     | 37120B      | 1   | Cylinder (Incl. 2, 20 & 72)              |
| 2     | 26727       | 2   | Dowel Pin                                |
| 4     | 31857       | 1   | Oil Drain Extension                      |
| 5     | 30969       | 1   | Extension Cap                            |
| 14    | 651052      | 1   | Washer                                   |
| 15    | 37108       | 1   | Governor Rod                             |
| 16    | 37110       | 1   | Governor Lever                           |
| 30    | 34746       | 1   | Crankshaft                               |
| 35    | 651053      | 1   | Screw, T-25, 10-32 x 63/64"              |
| 37    | 29216       | 1   | Lock Nut, 10-32                          |
| 38    | 37109       | 1   | Retaining Ring                           |
| 40    | 40004       | 1   | Piston, Pin & Ring Set (Std.)            |
| 40    | 40005       | 1   | Piston, Pin & Ring Set (.010" OS)        |
| 41    | 36070       | 1   | Piston & Pin Ass'y (Std.) (Incl. 43)     |
| 41    | 36071       | 1   | Piston & Pin Ass'y (.010" OS) (Incl. 43) |
| 42    | 40006       | 1   | Ring Set (Std.)                          |
| 42    | 40007       | 1   | Ring Set (.010" OS)                      |
| 43    | 20381       | 2   | Piston Pin Retaining Ring                |
| 45    | 32875A      | 1   | Connecting Rod Ass'y (Incl. 46 & 49)     |
| 46    | 32610A      | 2   | Connecting Rod Bolt                      |
| 48    | 35616       | 2   | Valve Lifter                             |
| 49    | 36611       | 1   | Oil Dipper                               |
| 50    | 36903       | 1   | Camshaft (Incl. 253 & 254)               |
| 64    | 651027      | 1   | Screw, 1/4-20 x 27/32"                   |
| 69    | 36624       | 1   | * Cylinder Cover Gasket                  |
| 70    | 36724       | 1   | Cylinder Cover (Incl. 75 thru 83)        |
| 72    | 27642       | 2   | Oil Drain Plug                           |
| 75    | 27897       | 1   | Oil Seal                                 |
| 76    | 30318       | 1   | Camshaft Seal                            |
| 80    | 30574A      | 1   | Governor Shaft                           |
| 81    | 30590A      | 1   | Washer                                   |
| 82    | 30591       | 1   | Governor Gear Assembly (Incl. 81)        |
| 83    | 36057       | 1   | Governor Spool                           |
| 86    | 650488      | 8   | Screw, 1/4-20 x 1-1/4"                   |
| 89    | 610961      | 1   | Flywheel Key                             |
| 110B  | 36874       | 1   | Ground Wire                              |
| 119   | 36719       | 1   | * Cylinder Head Gasket                   |
| 120   | 37474       | 1   | Cylinder Head                            |
| 125   | 36471       | 1   | Exhaust Valve (Std.) (Incl. 151)         |
| 125   | 36472       | 1   | Exhaust Valve (1/32" OS) (Incl. 151)     |
| 126   | 37711       | 1   | Intake Valve (Std.) (Incl. 151)          |
| 130A  | 650999      | 1   | Screw, 5/16-18 x 2-41/64"                |
| 130   | 650912      | 4   | Screw, 5/16-18 x 1-1/2"                  |
| 135   | 34645       | 1   | Resistor Spark Plug (RN4C)               |
| 150   | 37039       | 2   | Valve Spring                             |
| 151A  | 40016A      | 1   | Intake Valve Seal                        |
| 151   | 31673       | 2   | Valve Spring Cap                         |
| 153   | 36649       | 1   | Push Rod Guide                           |
| 154   | 650913      | 2   | Rocker Arm Stud                          |
| 155   | 35624A      | 2   | Rocker Arm                               |
| 157   | 650914      | 2   | Nut, 1/4-28                              |
| 158   | 36629       | 2   | Push Rod                                 |
| 159   | 35626       | 1   | * Rocker Arm Cover Gasket                |
| 160   | 36630B      | 1   | Rocker Arm Cover                         |
| 161   | 651034      | 2   | Valve Cover Stud                         |
| 161A  | 651012      | 2   | Stud                                     |
| 173   | 37676       | 1   | Breather Tube                            |
| 178   | 650852      | 2   | Nut & Lock Washer, 1/4-20                |

| Ref # | Part Number | Qty | Description                               |
|-------|-------------|-----|---|
| 182   | 650451      | 2   | Screw, 1/4-20 x 1"                        |
| 183   | 36867       | 1   | Choke Bracket                             |
| 184   | 26756       | 1   | * Carburetor To Intake Pipe Gasket        |
| 185   | 36631       | 1   | Intake Pipe                               |
| 186B  | 36652       | 1   | Choke Spring                              |
| 207   | 36632       | 1   | Throttle Link                             |
| 219   | 36868       | 1   | Choke Rod                                 |
| 220   | 35438       | 1   | Choke Knob                                |
| 222   | 28820       | 2   | Screw, 10-32 x 1/2"                       |
| 223   | 650451      | 2   | Screw, 1/4-20 x 1"                        |
| 224   | 36581       | 1   | * Intake Pipe Gasket                      |
| 253   | 36701       | 1   | Compression Release Weight                |
| 254   | 36702       | 1   | Compression Release Spring                |
| 275   | 37595       | 1   | Muffler                                   |
| 277   | 650988      | 2   | Screw, 1/4-20 x 2-9/32"                   |
| 279   | 650852      | 2   | Nut & Lock Washer, 1/4-20                 |
| 280   | 37069       | 1   | Heat Shield                               |
| 305   | 36877       | 1   | Oil Fill Tube                             |
| 307   | 35499       | 1   | O-Ring                                    |
| 308   | 37079       | 1   | Fill Tube Clip                            |
| 310   | 36878       | 1   | Dipstick                                  |
| 328   | 35062       | 2   | Ignition Key                              |
| 329   | 610973      | 1   | Terminal                                  |
| 335   | 36873A      | 1   | Carburetor Cover                          |
| 338A  | 28942       | 1   | Screw, 10-32 x 3/8"                       |
| 342B  | 651086      | 2   | Rubber Washer                             |
| 364   | 36872       | 1   | Carburetor Cover Bracket                  |
| 365   | 650821      | 1   | Screw, 10-32 x 1/2"                       |
| 370I  | 37119       | 1   | Heat Warning Decal                        |
| 370G  | 37433       | 1   | Instruction Decal                         |
| 370C  | 36501       | 1   | Primer Decal                              |
| 370N  | 36534       | 1   | Bilingual Decal                           |
| 380   | 640058A     | 1   | Carburetor (Incl. 184)                    |
| 416   | 36085       | 1   | Spark Arrestor Kit (Incl. 417) (Optional) |
| 417   | 650760      | 1   | Screw, 8-32 x 3/8"                        |
| 600   | 651013      | 1   | Washer                                    |



| Ref # | Part Number | Qty | Description   |
|-------|-------------|-----|---|
| 19    | 37111       | 1   | Extension Spring  |
| 20    | 32600       | 1   | Oil Seal  |
| 25D   | 37710       | 1   | Air Baffle (1 pc. electric start)   |
| 26    | 30200       | 2   | Screw, 10-24 x 9/16"  |
| 60    | 36623A      | 1   | Blower Housing Extension  |
| 65    | 30200       | 1   | Screw, 10-24 x 9/16"  |
| 90    | 611216      | 1   | Flywheel  |
| 92    | 650815      | 1   | Belleville Washer   |
| 93    | 650816      | 1   | Flywheel Nut  |
| 100   | 34443C      | 1   | Solid State Ignition  |
| 101   | 610118      | 1   | Spark Plug Cover  |
| 103   | 651007      | 2   | Screw, T-15, 10-24 x 15/16"   |
| 110   | 36230       | 1   | Ground Wire   |
| 186   | 36711       | 1   | Governor Link   |
| 200   | 36824A      | 1   | Control Bracket (Incl. 206)   |
| 206   | 610973      | 1   | Terminal  |
| 209   | 650821      | 2   | Screw, 10-32 x 1/2"   |
| 215   | 32410       | 1   | Control Knob  |
| 260   | 36901       | 1   | Blower Housing  |
| 261A  | 650821      | 1   | Screw, 10-32 x 1/2"   |
| 261   | 651008      | 1   | Screw, 1/4-20 x 31/64"  |
| 262   | 651008      | 2   | Screw, 1/4-20 x 31/64"  |
| 281   | 36907       | 1   | Starter Bubble Cover  |
| 282   | 651035      | 2   | Screw, 6-32 x 25/64"  |
| 285   | 35985C      | 1   | Starter Cup   |
| 287   | 651008      | 4   | Screw, 1/4-20 x 31/64"  |
| 290   | 30705       | 1   | Fuel Line   |
| 291   | 29774       | 1   | Fuel Line   |
| 292   | 26460       | 4   | Fuel Line Clamp   |
| 295   | 35857       | 1   | Fuel Shut-Off Valve   |
| 300   | 37048       | 1   | Fuel Tank (Incl. 292 & 301)   |
| 301   | 37844       | 1   | Fuel Cap  |
| 313   | 34080       | 1   | Spacer  |
| 341   | 36644A      | 1   | Fuel Tank Bracket (Lower)   |
| 342   | 651085      | 2   | Screw, 1/4-20 x 19/32"  |
| 342B  | 651086      | 2   | Rubber Washer   |
| 350   | 570682A     | 1   | Primer Assembly   |
| 351   | 32180C      | 1   | Primer Line   |
| 355   | 590574      | 1   | Starter Handle (Mitten Grip)  |
| 370A  | 36261       | 1   | Instruction Decal   |
| 370K  | 36695       | 1   | Starter Decal   |
| 370B  | 36899       | 1   | Control Decal   |
| 390   | 590749      | 1   | Rewind Starter (Note: This engine could have been built with the 590733 starter.) |
| 400   | 36720       | 1   | * Gasket Set (Incl. items marked PK i n notes)                                    |
| 420   | 730226A     |     | SAE 5W30 4-Cycle Engine Oil (Quart)   |