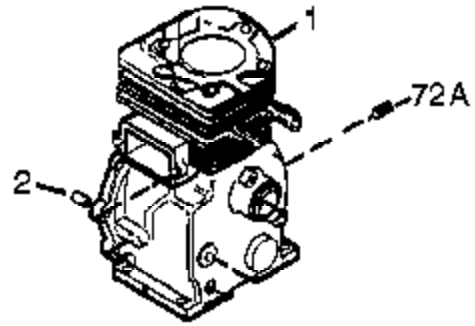
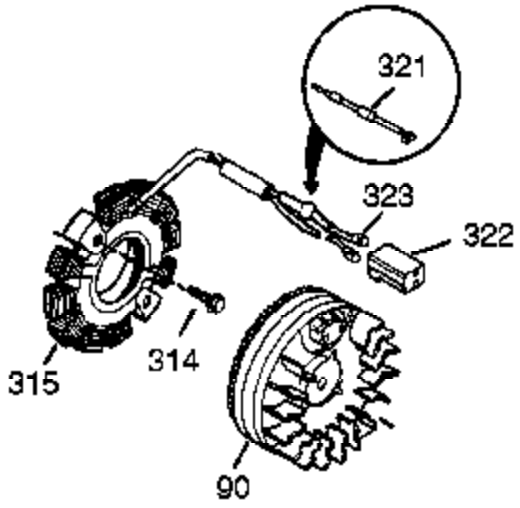




Ref #	Part Number	Qty	Description
	1 37251	1	Cylinder (Incl. 2, 20 & 72)
	2 27652	2	Dowel Pin
	3 650820	2	Screw, 1/4-20 x 1/2"
14A	651057	1	Washer
14	28277	1	Washer
15B	650494	1	Screw, 6-40 x 5/16"
15A	30700	1	Governor Yoke
	15 30699C	1	Governor Rod Ass'y (Incl. 15A & 15B)
	16 37255A	1	Governor Lever (Incl. 212A)
	17 29916	1	Governor Lever Clamp
	18 651028	1	Screw, T-15, 8-32 x 7/16"
	19 36281	1	Throttle Spring
	20 35319	1	Oil Seal
	25 37853	1	Blower Housing Baffle
	26 650561	2	Screw, 1/4-20 x 19/32"
	28 30322	1	Lock Nut, 10-32
	30 37272	1	Crankshaft
	35 29826	1	Screw, 10-32 x 3/4"
	36 29918	1	Lock Washer
	37 29216	1	Lock Nut, 10-32
	38 29642	1	Retaining Ring
	40 40011	1	Piston, Pin & Ring Set (Std.)
	40 40012	1	Piston, Pin & Ring Set (.010" OS)
	41 40009	1	Piston & Pin Ass'y (Std.) (Incl. 43)
	41 40010	1	Piston & Pin Ass'y (.010" OS) (Incl. 43)
	42 40013	1	Ring Set (Std.)
	42 40014	1	Ring Set (.010" OS)
	43 27888	2	Piston Pin Retaining Ring
	45 36897	1	Connecting Rod Ass'y (Incl. 47 & 49)
	47 651033	2	Connecting Rod Bolt
	48 35313	2	Valve Lifter
	49 36896	1	Oil Dipper
	50 37517	1	Camshaft (MCR)
	60 35316A	1	Blower Housing Extension
	65 30200	1	Screw, 10-24 x 9/16"
	66 30063	1	Screw, T-30, 1/4-20 x 1/2"
	69 37342	1	* Cylinder Cover Gasket
	70 37847	1	Cylinder Cover (Incl. 71,75,80 Thru 8 4)
	71 35377	1	Crankshaft Bushing
	72 27642	1	Oil Drain Plug
	75 35319	1	Oil Seal
	80 37587	1	Governor Shaft
	81 651080	1	Washer
	82 37588	1	Governor Gear Ass'y (Incl. 81)
	83 30588A	1	Governor Spool
	84 29193	1	Retaining Ring
	86 650833	7	Screw, 1/4-20 x 1-3/16"
	87 650832	1	Screw, 1/4-20 x 1-11/16"
	89 32589	1	Flywheel Key
	90 611093	1	Flywheel (W/Ring Gear)
	92 650880	1	Lock Washer
	93 650881	1	Flywheel Nut
	100 35135A	1	Solid State Ignition (Incl. 101)
	101 610118	1	Spark Plug Cover
	102 651024	2	Solid State Mounting Stud
	103 651007	2	Screw, T-15, 10-24 x 15/16"
	110 35187	1	Ground Wire
110A	37047	1	Ground Wire

Ref #	Part Number	Qty	Description
	119 37256	1	* Cylinder Head Gasket
	120 37516	1	Cylinder Head (Incl. 151A & 270A)
	125 36934	1	Exhaust Valve (Std.)
	125 36936	1	Exhaust Valve (1/32" OS)
	126 36935	1	Intake Valve (Std.)
	127 650691	6	Washer
	128 650690	6	Belleville Washer
	130 650697A	6	Screw, 5/16-18 x 2-1/2"
	135 34645	1	Spark Plug (RN4C)
	139 33369	1	Governor Gear Bracket
	140 650836	1	Screw, 10-24 x 1/2"
	150 33507	2	Valve Spring
	151 33508	2	Valve Spring Keeper
	151A 35862	1	Intake Valve Seal
	153 35949	1	Push Rod Guide
	154 651105	2	Rocker Arm Stud
	155 35950	2	Rocker Arm
	156 37843	2	Rocker Arm Bearing
	157 650586	2	Jam Nut
	158 35466	2	Push Rod
	159 35952	1	* Rocker Arm Cover Gasket
	160 35953A	1	Rocker Arm Cover
	161 30063	4	Screw, T-30, 1/4-20 x 1/2"
	169 27896A	2	* Valve Cover Gasket
	170 28423	1	Breather Body
	171 28424	1	Breather Element
	172 28425	1	Valve Cover
	173 35350	1	Breather Tube
	174 650128	2	Screw, 10-24 x 1/2"
	174A 651056	1	Screw, 10-24 x 29/32"
	180 37101	1	Blower Housing Extension
	181 30200	2	Screw, 10-24 x 9/16"
	182 650517	2	Screw, T-30, 1/4-20 x 27/32"
	183 34583A	1	Choke Bracket
	184 33263	1	* Carburetor To Intake Pipe Gasket
	185 37085	1	Intake Pipe
	186 37860	1	Governor Link
	186B 36653	1	Choke Spring
	200 35702	1	Control Bracket (Incl. 203, 204 & 206)
	203 31342	1	Compression Spring
	204 651029	1	Screw, T-10, 5-40 x 7/16"
	206 610973	1	Terminal
	207 37262	1	Throttle Link
	209 650821	2	Screw, 10-32 x 1/2"
	212 30773A	1	Bushing
	212A 36288	1	Bushing
	215 35440	1	Control Knob
	217 37260	1	Bellcrank Lever
	219 35689	1	Choke Rod
	220 35438	1	Choke Knob
	222 28820	2	Screw, 10-32 x 1/2"
	223 650971	2	Screw, Torx T-30, 5/16-18 x 7/8"
	224 33515A	1	* Intake Pipe Gasket
	260 37092A	1	Blower Housing
	262 651084	2	Screw, 5/16-18 x 9/16"
	264A 650738	1	Screw, 1/4-20 x 5/8"
	265 37086	1	Cylinder Head Cover
	266 650876	2	Screw, 5/16-18 x 1-9/32"

Ref #	Part Number	Qty	Description
269	35762	2	* Exhaust Gasket
270	37263	1	Exhaust Manifold
270A	35829A	1	Exhaust Port Liner
271	35293	1	Locking Plate
275	37264	1	Muffler
276	35348	1	Locking Plate
277	650877	2	Screw, 5/16-18 x 4-1/2"
279	651011	5	Screw, 10-32 x 5/16"
280	37265	1	Heat Shield
285	35985C	1	Starter Cup
287	29752	4	Nut & Lock Washer, 1/4-28
290	30962	1	Fuel Line
291	29774	1	Fuel Line
292	26460	4	Fuel Line Clamp
295	35857	1	Fuel Shut-Off Valve
298	650665	2	Screw, 1/4-15 x 3/4"
300	37099A	1	Fuel Tank (Incl. 292 & 301)
301	37844	1	Fuel Cap
302	37098	1	Fuel Tank Extension
302A	650821	3	Screw, 10-32 x 1/2"
305	35574	1	Oil Fill Tube
307	35499	1	"O" Ring
308	35539	1	Fill Tube Clip
310	35700	1	Dipstick
323	611118	1	Terminal
328	35062	2	Ignition Key
329	610973	1	Terminal
335A	37087	1	Carburetor Cover
335	37096	1	Carburetor Cover (Front)
338	650821	4	Screw, 10-32 x 1/2"
341	37093	1	Fuel Tank Bracket
342	792028	2	Screw, 5/16-18 x 7/8"
343	35079A	1	Key Switch Bracket (Incl. 343A)
343A	651060	1	Screw, 10-32 x 23/64"
345A	650821	1	Screw, 10-32 x 1/2"
345	37097	1	Heat Baffle
350	570682A	1	Primer Ass'y
351	32180C	1	Primer Line
355	590574	1	Starter Handle
361	650990	2	Screw, T-30, 1/4-20 x 15/32"
370D	36534	1	Warning Decal
370C	36501	1	Primer Decal
370I	37119	1	Warning Decal
370H	37226	1	Choke Decal
370K	36695	1	Starter Decal
370T	36906	1	Electric Starter Decal
380	640169	1	Carburetor (Incl. 184)
390	590749	1	Rewind Starter (Note: This engine could have been built with 590733 starter.)
396	33329E	1	Electric Starter Motor (120 Volt)
400	37257A	1	*Gasket Set (Incl. items marked PK in notes)
420	730226A	1	SAE 5W30 4-Cycle Engine Oil (Quart)



Ref #	Part Number	Qty	Description
1	37251	1	Cylinder (Incl. 2, 20 & 72)
2	27652	2	Dowel Pin
90	611093	1	Flywheel (W/Ring Gear)
314	650873	1	Screw, 1/4-20 x 3/4"
315	611111	1	Alternator Coil (18 Watt) (Incl. 322 & 323)
322	611117	1	Connector Body
323	611118	1	Terminal