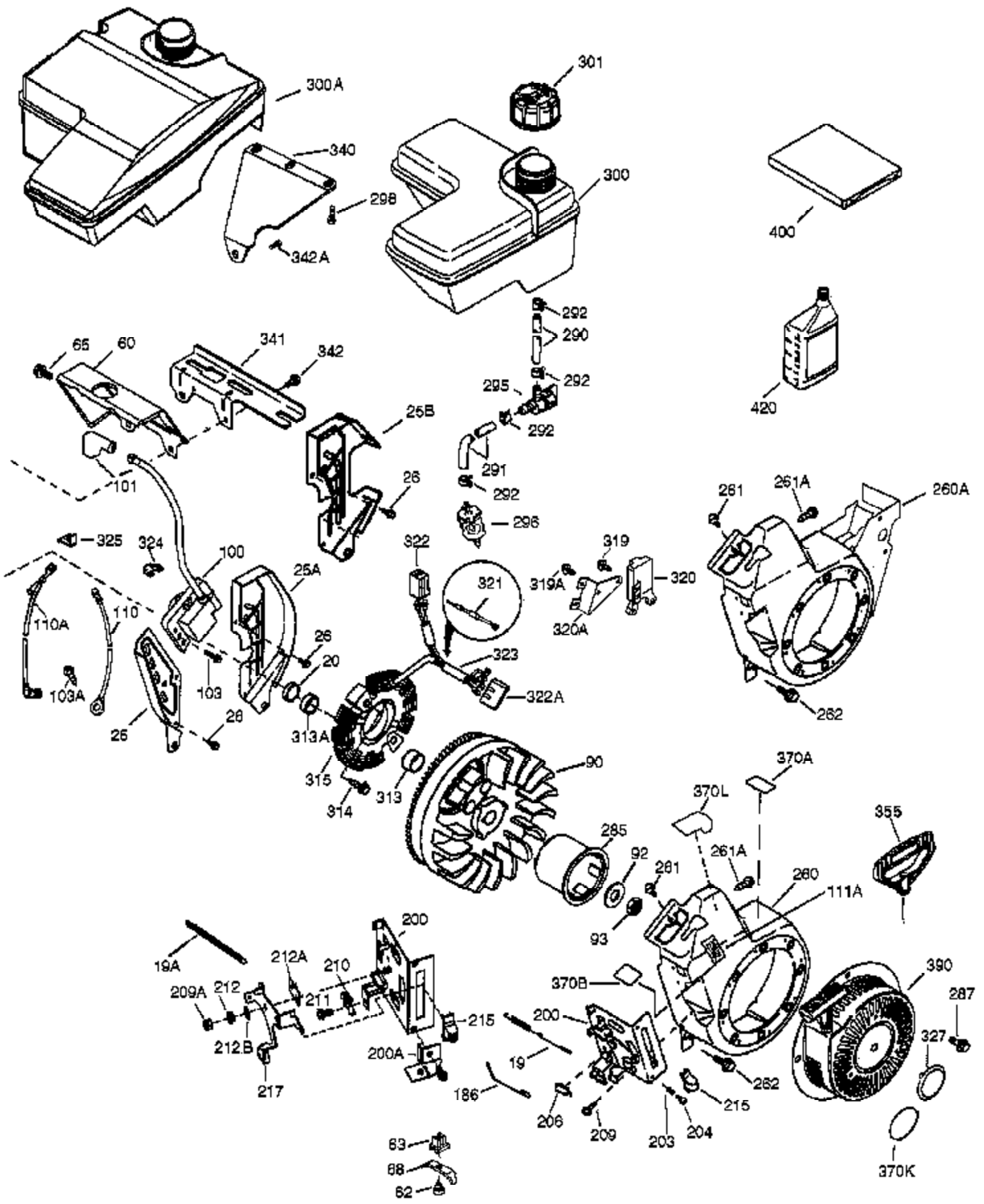


Ref #	Part Number	Qty	Description
	1 37120A	1	Cylinder (Incl. 2, 20 & 72)
	2 26727	2	Dowel Pin
	14 651052	1	Washer
	15 37108	1	Governor Rod
	16 37110	1	Governor Lever
	30 34740	1	Crankshaft
	35 651053	1	Screw, 10-32 x 63/64"
	37 29216	1	Lock Nut, 10-32
	38 37109	1	Retaining Ring
	40 40004	1	Piston, Pin & Ring Set (Std.)
	40 40005	1	Piston, Pin & Ring Set (.010" OS)
	41 36070	1	Piston & Pin Ass'y (Std.) (Incl. 43)
	41 36071	1	Piston & Pin Ass'y (.010" OS) (Incl. 43)
	42 40006	1	Ring Set (Std.)
	42 40007	1	Ring Set (.010" OS)
	43 20381	2	Piston Pin Retaining Ring
	45 32875A	1	Connecting Rod Ass'y (Incl. 46 & 49)
	46 32610A	2	Connecting Rod Bolt
	48 35616	2	Valve Lifter
	49 36611	1	Oil Dipper
	50 37040	1	Camshaft (Incl. 253 & 254)
	64 650738	1	Screw, 1/4-20 x 5/8"
	69 36624	1	* Cylinder Cover Gasket
	70 36625	1	Cylinder Cover (Incl. 75 thru 83 & 31 1)
	72 27642	1	Oil Drain Plug
	75 27897	1	Oil Seal
	80 30574A	1	Governor Shaft
	81 30590A	1	Washer
	82 30591	1	Governor Gear Ass'y (Incl. 81)
	83 36057	1	Governor Spool
	86 650488	8	Screw, 1/4-20 x 1-1/4"
	89 610961	1	Flywheel Key
	119 36719	1	* Cylinder Head Gasket
	120 36721	1	Cylinder Head
	125 36471	1	Exhaust Valve (Std.) (Incl. 151)
	125 36472	1	Exhaust Valve (1/32" OS) (Incl. 151)
	126 37711	1	Intake Valve (Std.) (Incl. 151)
	126 29315C	1	Intake Valve (1/32" OS) (Incl. 151)
	130A 650999	1	Screw, 5/16-18 x 2-41/64"
	130 650912	4	Screw, 5/16-18 x 1-1/2"
	135 34645	1	Resistor Spark Plug (RN4C)
	150 37039	2	Valve Spring
	151 31673	2	Valve Spring Cap
	153 36649	1	Push Rod Guide
	154 650913	2	Rocker Arm Stud
	155 35624A	2	Rocker Arm
	157 650914	2	Nut, 1/4-28
	158 36629	2	Push Rod
	159 35626	1	* Rocker Arm Cover Gasket
	160 36630A	1	Rocker Arm Cover
	161 651008	4	Screw, 1/4-20 x 31/64"
	173 36675A	1	Breather Tube
	178 650852	2	Nut, 1/4-20
	182 650451	2	Screw, 1/4-20 x 1"
	184 26756	1	* Carburetor To Intake Pipe Gasket
	185 36631	1	Intake Pipe
	207 36632	1	Throttle Link
	223 650451	2	Screw, 1/4-20 x 1"

Ref #	Part Number	Qty	Description
224	36581	1	* Intake Pipe Gasket
238	28820	2	Screw, 10-32 x 1/2"
239	27272A	1	* Air Cleaner Gasket
240	36633A	1	Air Cleaner Body (Incl. 239)
245	36046	1	Air Cleaner Filter
250	37073	1	Air Cleaner Cover
250A	37074	1	Air Cleaner Baffle
251	650886	1	Wing Nut
252	650821	1	Screw, 10-32 x 1/2"
253	36701	1	Compression Release Weight
254	36702	1	Compression Release Spring
275	36722	1	Muffler
277	650988	2	Screw, 1/4-20 x 2-9/32"
311	27625	1	Oil Fill Plug
380	640025	1	Carburetor (Incl. 184)
416	36085	1	Spark Arrestor Kit (Incl. 417) (Optional)
417	650760	1	Screw, 8-32 x 3/8"
600	651013	1	Washer



Ref #	Part Number	Qty	Description
19	37111	1	Extension Spring
20	32600	1	Oil Seal
25A	36622	1	Air Baffle (Right)
25	36621	1	Air Baffle (Left)
26	30200	1	Screw, 10-24 x 9/16"
60	36623A	1	Blower Housing Extension
65	30200	1	Screw, 10-24 x 9/16"
83	36057	1	Governor Spool
90	611205	1	Flywheel
92	650815	1	Belleville Washer
93	650816	1	Flywheel Nut
100	34443A	1	Solid State Ignition
103	651007	2	Screw, Torx T-15, 10-24 x 15/16"
110	36054	1	Ground Wire
186	36711	1	Governor Link
200	36736	1	Control Bracket (Incl. 206, 210 & 211)
206	610973	1	Terminal
209	650821	1	Screw, 10-32 x 1/2"
210	27793	1	Conduit Clip
211	28942	1	Screw, 10-32 x 3/8"
260	36864	1	Blower Housing
261A	650821	2	Screw, 10-32 x 1/2"
261	651008	1	Screw, 1/4-20 x 31/64"
262	651008	2	Screw, 1/4-20 x 31/64"
285	35985B	1	Starter Cup
287	0	4	Rivet (Can be purchased locally)
290	30705	1	Fuel Line
292	26460	2	Fuel Line Clamp
300	36863	1	Fuel Tank (Incl. 292 & 301)
301	36246	1	Fuel Cap
313	34080	1	Spacer
325	29443	1	Wire Clip
341	36644	1	Fuel Tank Bracket
342	651010	2	Screw, 1/4-20 x 7/8"
370K	36695	1	Starter Decal
370A	36261	1	Lubrication Decal
390	590736	1	Rewind Starter (NOTE: This engine could have been built with 590748 starter.)
400	36720	1	* Gasket Set (Incl. items marked PK in notes) Incl. (1) each of 26756, 27272A, 29673, 35626, 36581, 36624, 36719
420	730225	1	SAE 30 4-Cycle Engine Oil (Quart)