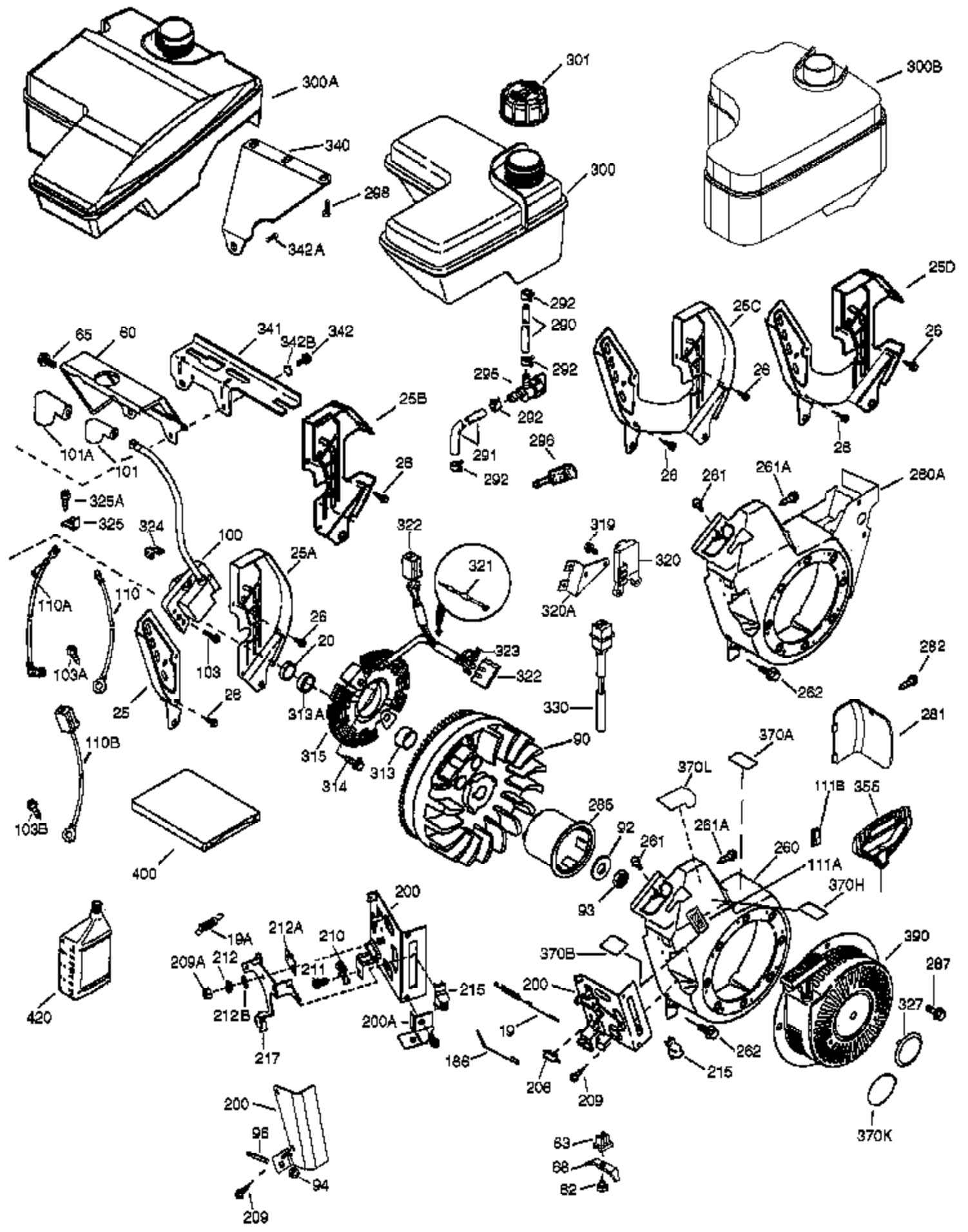


| Ref # | Part Number | Qty | Description                              |
|-------|-------------|-----|--|
|       | 1 37120A    | 1   | Cylinder (Incl. 2, 20 & 72A)             |
|       | 2 26727     | 2   | Dowel Pin                                |
|       | 14 651052   | 1   | Washer                                   |
|       | 15 37108    | 1   | Governor Rod                             |
|       | 16 37110    | 1   | Governor Lever                           |
|       | 30 36483    | 1   | Crankshaft                               |
|       | 35 651053   | 1   | Screw, Torx T-25, 10-32 x 63/64"         |
|       | 37 29216    | 1   | Lock Nut, 10-32                          |
|       | 38 37109    | 1   | Retaining Ring                           |
|       | 40 40004    | 1   | Piston, Pin & Ring Set (Std.)            |
|       | 40 40005    | 1   | Piston, Pin & Ring Set (.010" OS)        |
|       | 41 36070    | 1   | Piston & Pin Ass'y (Std.) (Incl. 43)     |
|       | 41 36071    | 1   | Piston & Pin Ass'y (.010" OS) (Incl. 43) |
|       | 42 40006    | 1   | Ring Set (Std.)                          |
|       | 42 40007    | 1   | Ring Set (.010" OS)                      |
|       | 43 20381    | 2   | Piston Pin Retaining Ring                |
|       | 45 32875A   | 1   | Connecting Rod Ass'y (Incl. 46 & 49)     |
|       | 46 32610A   | 2   | Connecting Rod Bolt                      |
|       | 48 35616    | 2   | Valve Lifter                             |
|       | 49 36611    | 1   | Oil Dipper                               |
|       | 50 37040    | 1   | Camshaft (Incl. 253 & 254)               |
|       | 64 651015   | 1   | Screw, 1/4-20 x 1-1/8"                   |
|       | 69 36624    | 1   | * Cylinder Cover Gasket                  |
|       | 70 36625    | 1   | Cylinder Cover (Incl. 75 thru 83 & 31 1) |
|       | 72A 28582   | 1   | Oil Drain Plug                           |
|       | 72 27642    | 2   | Oil Drain Plug                           |
|       | 75 27897    | 1   | Oil Seal                                 |
|       | 80 30574A   | 1   | Governor Shaft                           |
|       | 81 30590A   | 1   | Washer                                   |
|       | 82 30591    | 1   | Governor Gear Assembly (Incl. 81)        |
|       | 83 36057    | 1   | Governor Spool                           |
|       | 86 650488   | 8   | Screw, 1/4-20 x 1-1/4"                   |
|       | 89 610961   | 1   | Flywheel Key                             |
|       | 119 36719   | 1   | * Cylinder Head Gasket                   |
|       | 120 37474   | 1   | Cylinder Head                            |
|       | 125 36471   | 1   | Exhaust Valve (Std.) (Incl. 151)         |
|       | 125 36472   | 1   | Exhaust Valve (1/32" OS) (Incl. 151)     |
|       | 126 37711   | 1   | Intake Valve (Std.) (Incl. 151)          |
|       | 130 650912  | 4   | Screw, 5/16-18 x 1-1/2"                  |
|       | 130A 650999 | 1   | Screw, 5/16-18 x 2-41/64"                |
|       | 135 34645   | 1   | Resistor Spark Plug (RN4C)               |
|       | 150 37039   | 2   | Valve Spring                             |
|       | 151A 40016A | 1   | Intake Valve Seal                        |
|       | 151 31673   | 2   | Valve Spring Cap                         |
|       | 153 36649   | 1   | Push Rod Guide                           |
|       | 154 650913  | 2   | Rocker Arm Stud                          |
|       | 155 35624A  | 2   | Rocker Arm                               |
|       | 157 650914  | 2   | Nut, 1/4-28                              |
|       | 158 36629   | 2   | Push Rod                                 |
|       | 159 35626   | 1   | * Rocker Arm Cover Gasket                |
|       | 160 36630A  | 1   | Rocker Arm Cover                         |
|       | 161A 651012 | 2   | Stud                                     |
|       | 161 651008  | 2   | Screw, 1/4-20 x 31/64"                   |
|       | 173 36675A  | 1   | Breather Tube                            |
|       | 178 650852  | 2   | Nut, 1/4-20                              |
|       | 182 650451  | 2   | Screw, 1/4-20 x 1"                       |
|       | 184 26756   | 1   | * Carburetor To Intake Pipe Gasket       |
|       | 185 36631   | 1   | Intake Pipe                              |

| Ref # | Part Number | Qty | Description                               |
|-------|-------------|-----|---|
| 207   | 36632       | 1   | Throttle Link                             |
| 223   | 650451      | 2   | Screw, 1/4-20 x 1"                        |
| 224   | 36581       | 1   | * Intake Pipe Gasket                      |
| 238   | 28820       | 2   | Screw, 10-32 x 1/2"                       |
| 239   | 27272A      | 1   | * Air Cleaner Gasket                      |
| 240   | 36633A      | 1   | Air Cleaner Body (Incl. 239)              |
| 245A  | 36634       | 1   | Air Cleaner Prefilter                     |
| 245   | 36046       | 1   | Air Cleaner Filter                        |
| 250A  | 37074       | 1   | Air Cleaner Baffle                        |
| 250   | 37073       | 1   | Air Cleaner Cover                         |
| 251   | 650886      | 1   | Wing Nut                                  |
| 252   | 650821      | 1   | Screw, 10-32 x 1/2"                       |
| 253   | 36701       | 1   | Compression Release Weight                |
| 254   | 36702       | 1   | Compression Release Spring                |
| 275   | 37595       | 1   | Muffler                                   |
| 277   | 650988      | 2   | Screw, 1/4-20 x 2-9/32"                   |
| 278   | 36674       | 1   | Spacer                                    |
| 279   | 650852      | 2   | Nut & Lock Washer                         |
| 280   | 36893       | 1   | Heat Shield                               |
| 310   | 36678       | 1   | Dipstick                                  |
| 311   | 27625       | 2   | Oil Fill Plug                             |
| 380   | 640305      | 1   | Carburetor (Incl. 184)                    |
| 416   | 36085       | 1   | Spark Arrestor Kit (Incl. 417) (Optional) |
| 417   | 650760      | 1   | Screw, 8-32 x 3/8"                        |
| 600   | 651013      | 1   | Washer                                    |



| Ref # | Part Number | Qty | Description   |
|-------|-------------|-----|---|
| 19    | 37111       | 1   | Extension Spring  |
| 19A   | 36741       | 1   | Extension Spring  |
| 20    | 32600       | 1   | Oil Seal  |
| 25C   | 37709       | 1   | Air Baffle (1 pc.)  |
| 26    | 30200       | 1   | Screw, 10-24 x 9/16"  |
| 60    | 36623A      | 1   | Blower Housing Extension  |
| 63    | 28545       | 1   | Grommet   |
| 65    | 30200       | 1   | Screw, 10-24 x 9/16"  |
| 90    | 611205      | 1   | Flywheel  |
| 92    | 650815      | 1   | Belleville Washer   |
| 93    | 650816      | 1   | Flywheel Nut  |
| 100   | 34443B      | 1   | Solid State Ignition  |
| 101   | 610118      | 1   | Spark Plug Cover  |
| 103A  | 650767      | 1   | Screw, 8-32 X 27/64"  |
| 103   | 651007      | 2   | Screw, T-15, 10-24 x 15/16"   |
| 110A  | 36964       | 1   | Ground Wire   |
| 110   | 36963       | 1   | Ground Wire   |
| 110B  | 37602       | 1   | Ground Wire   |
| 111A  | 611224      | 1   | Rocker Switch (on/off)  |
| 186   | 36711       | 1   | Governor Link   |
| 200A  | 37249       | 1   | Control Bracket   |
| 200   | 36740A      | 1   | Control Bracket (Incl. 19A, 210 & 211 )                                       |
| 209   | 650821      | 1   | Screw, 10-32 x 1/2"   |
| 210   | 27793       | 1   | Conduit Clip  |
| 211   | 28942       | 2   | Screw, 10-32 x 3/8"   |
| 260   | 36864       | 1   | Blower Housing  |
| 261A  | 650821      | 2   | Screw, 10-32 x 1/2"   |
| 261   | 651008      | 1   | Screw, 1/4-20 x 31/64"  |
| 262   | 651008      | 2   | Screw, 1/4-20 x 31/64"  |
| 285   | 35985B      | 1   | Starter Cup   |
| 287   | 651008      | 4   | Screw, 1/4-20 x 31/64"  |
| 290   | 30705       | 1   | Fuel Line   |
| 292   | 26460       | 2   | Fuel Line Clamp   |
| 300   | 36863       | 1   | Fuel Tank (Incl. 292 & 301)   |
| 301   | 36754       | 1   | Fuel Cap  |
| 313   | 34080       | 1   | Spacer  |
| 341   | 36644       | 1   | Fuel Tank Bracket   |
| 342   | 651010      | 2   | Screw, 1/4-20 x 7/8"  |
| 370A  | 36261       | 1   | Instruction Decal   |
| 370K  | 36695       | 1   | Starter Decal   |
| 390   | 590746      | 1   | Rewind Starter (NOTE: This engine could have been built with 590704 starter.) |
| 400   | 36720       | 1   | * Gasket Set (Incl. items marked PK in notes)                                 |
| 420   | 730225      | 1   | SAE 30 4-Cycle Engine Oil (Quart)   |