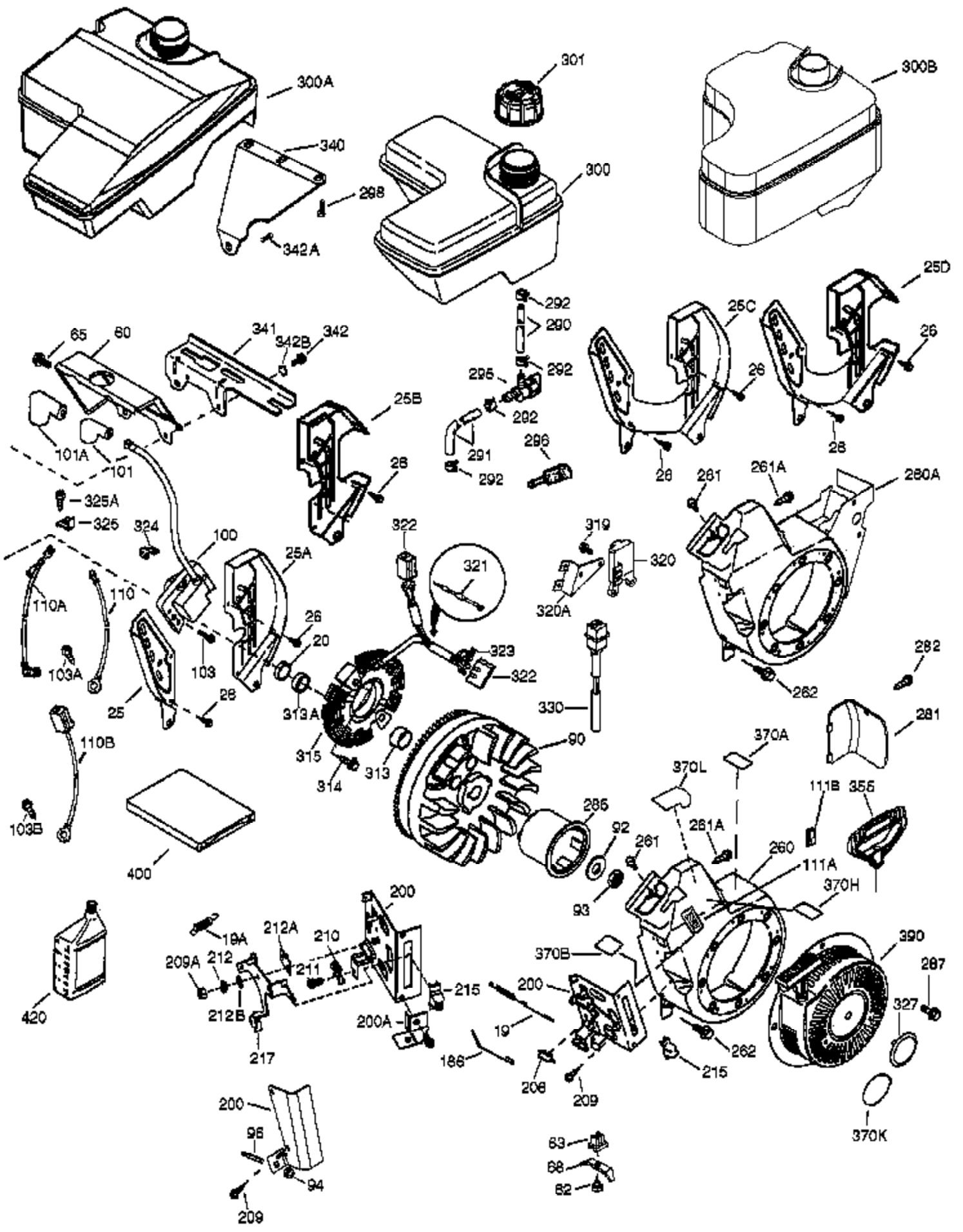


Ref #	Part Number	Qty	Description
	1 37126A	1	Cylinder (Incl. 2, 20 & 72)
	2 26727	2	Dowel Pin
	14 651052	1	Washer
	15 37158	1	Governor Rod
	16 37162	1	Governor Lever
	30 34745	1	Crankshaft
	35 651053	1	Screw, T-25, 10-32 x 63/64"
	37 29216	1	Lock Nut, 10-32
	38 37109	1	Retaining Ring
	40 40004	1	Piston, Pin & Ring Set (Std.)
	40 40005	1	Piston, Pin & Ring Set (.010" OS)
	41 36070	1	Piston & Pin Ass'y (Std.) (Incl. 43)
	41 36071	1	Piston & Pin Ass'y (.010" OS) (Incl. 43)
	42 40006	1	Ring Set (Std.)
	42 40007	1	Ring Set (.010" OS)
	43 20381	2	Piston Pin Retaining Ring
	45 32875A	1	Connecting Rod Ass'y (Incl. 46 & 49)
	46 32610A	2	Connecting Rod Bolt 1/4-20 X 29/32"
	48 35616	2	Valve Lifter
	49 36611	1	Oil Dipper
	50 37040	1	Camshaft (Incl. 253 & 254)
	64 651015	1	Screw, 1/4-20 x 1-1/8"
	69 36624	1	Cylinder Cover Gasket
	70 37159	1	Cylinder Cover (Incl. 75 thru 83)
	72 27642	1	Oil Drain Plug (Square Head) 1/4-18
	72A 28582	1	Oil Drain Plug (Flush) 1/4-18
	75 28460	1	Oil Seal
	80 37160	1	Governor Shaft
	81 30590A	1	Washer
	82 37161	1	Governor Gear Ass'y (Incl. 81)
	83 35322	1	Governor Spool
	86 650488	8	Screw, 1/4-20 x 1-1/4"
	89 610961	1	Flywheel Key
	111 611207	1	Low Oil Sensor (Incl. 112)
	112 35967A	1	Low Oil Sensor Gasket
	113 650950	4	Screw, T-25, 10-24 x 5/8"
	119 36719	1	* Cylinder Head Gasket
	120 36721	1	Cylinder Head
	125 36471	1	Exhaust Valve (Std.) (Incl. 151)
	125 36472	1	Exhaust Valve (1/32" OS) (Incl. 151)
	126 37711	1	Intake Valve (Std.) (Incl. 151)
	130A 650999	1	Screw, 5/16-18 x 2-41/64"
	130 650912	4	Screw, 5/16-18 x 1-1/2"
	135 34645	1	Resistor Spark Plug (RN4C)
	150 37039	2	Valve Spring
	151A 40016A	1	Intake Valve Seal
	151 31673	2	Valve Spring Cap
	153 36649	1	Push Rod Guide
	154 650913	2	Rocker Arm Stud
	155 35624A	2	Rocker Arm
	157 650914	2	Nut, 1/4-28
	158 36629	2	Push Rod
	159 35626	1	* Rocker Arm Cover Gasket
	160 36630A	1	Rocker Arm Cover
	161 651008	2	Screw, 1/4-20 x 31/64"
	161A 651012	2	Stud
	173 36675A	1	Breather Tube
	178 650852	2	Nut, 1/4-20

Ref #	Part Number	Qty	Description
182	650451	2	Screw, 1/4-20 x 1"
184	26756	1	* Carburetor To Intake Pipe Gasket
185	36631	1	Intake Pipe
207	36632	1	Throttle Link
223	650451	2	Screw, 1/4-20 x 1"
224	36581	1	* Intake Pipe Gasket
238	28820	2	Screw, 10-32 x 1/2"
239	27272A	1	Air Cleaner Gasket
240	36633A	1	Air Cleaner Body (Incl. 239)
245	36046	1	Air Cleaner Filter
250	37073	1	Air Cleaner Cover
250A	37074	1	Air Cleaner Baffle
251	650886	1	Wing Nut
253	36701	1	Compression Release Weight
254	36702	1	Compression Release Spring
275	36722	1	Muffler
277	650988	2	Screw, 1/4-20 x 2-9/32"
278	36674	2	Spacer
279	650852	1	Nut & Lock Washer
280	36893	1	Heat Shield
311	27625	2	Oil Fill Plug Ass'y (Black)
380	640135	1	Carburetor (Incl. 184)
600	651013	1	Washer



Ref #	Part Number	Qty	Description
19	37163	1	Extension Spring
20	32600	1	Oil Seal
25C	37709	1	Air Baffle (1 pc.)
26	30200	1	Screw, 10-24 x 9/16"
60	36623A	1	Blower Housing Extension
65	30200	1	Screw, 10-24 x 9/16"
90	611205	1	Flywheel
92	650815	1	Belleville Washer
93	650816	1	Flywheel Nut
94	651016	1	Lock Nut, 10-32
96	30845A	1	RPM Adjusting Bolt
100	34443B	1	Solid State Ignition
101	610118	1	Spark Plug Cover
103A	650767	1	Screw, 8-32 x 27/64"
103	651007	2	Screw, T-15, 10-24 x 15/16"
110A	36964	1	Ground Wire
110	35589	1	Ground Wire Ass'y.
111A	611226	1	Rocker On/Off Switch
200	37123	1	Control Bracket Ass'y.
209	650821	2	Screw, 10-32 x 1/2"
260	36864	1	Blower Housing
261	651008	1	Screw, 1/4-20 x 31/64"
261A	650821	2	Screw, 10-32 x 1/2"
262	651008	2	Screw, 1/4-20 x 31/64"
285	35985B	1	Starter Cup
287	0	4	Rivet (Can be purchased locally)
290	30705	1	Fuel Line
292	26460	2	Fuel Line Clamp
292	26460	1	Fuel Line Clamp
296	34279B	1	Fuel Filter (Incl. 292)
313	34080	1	Spacer
342	651008	2	Screw, 1/4-20 x 31/64"
370K	36695	1	Starter Decal
370A	36261	1	Instruction Decal
390	590748	1	Rewind Starter (NOTE: This engine could have been built with 590736 starter.)
400	36720	1	* Gasket Set (Incl. items marked PK in notes)
420	730225	1	SAE 30 4-Cycle Engine Oil (Quart)