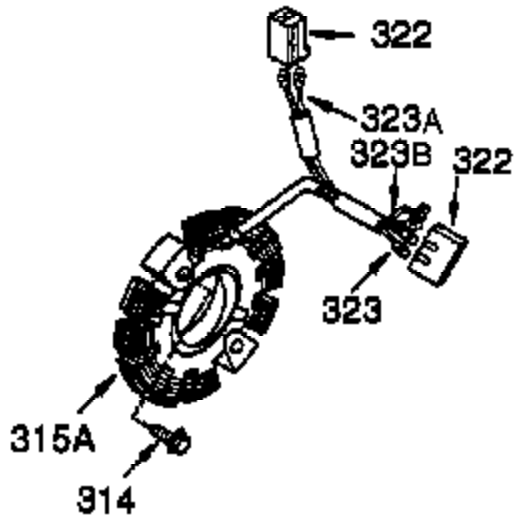
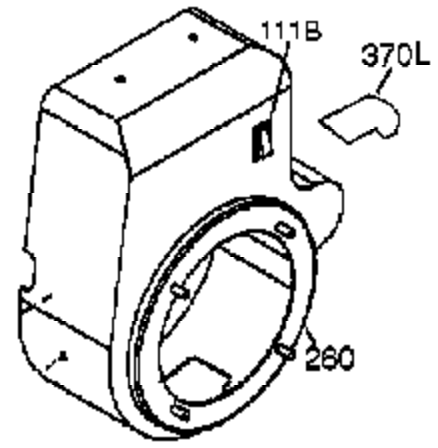
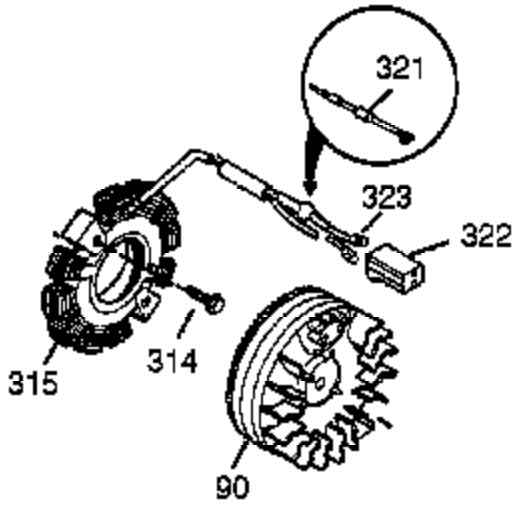


| Ref # | Part Number | Qty | Description |
|-------|-------------|-----|--|
| | 1 37665 | 1 | Cylinder (Incl. 2, 20 & 72) |
| | 2 27652 | 2 | Dowel Pin |
| | 14 28277 | 1 | Washer |
| | 15A 30700 | 1 | Governor Yoke |
| | 15 30699C | 1 | Governor Rod Ass'y (Incl. 15A & 15B) |
| | 15B 650494 | 1 | Screw, 6-40 x 5/16" |
| | 16 37458 | 1 | Governor Lever (Incl. 212A) |
| | 17 29916 | 1 | Governor Lever Clamp |
| | 18 651028 | 1 | Screw, T-15, 8-32 x 3/8" |
| | 20 35319 | 1 | Oil Seal |
| | 25 37706 | 1 | Blower Housing Baffle (Incl. 325) |
| | 26 650561 | 2 | Screw, 1/4-20 x 19/32" |
| | 28 30322 | 1 | Lock Nut, 8-32 |
| | 30 37737 | 1 | Crankshaft |
| | 35 29826 | 1 | Screw, 10-32 x 3/4" |
| | 36 29918 | 1 | Lock Washer |
| | 37 29216 | 1 | Lock Nut, 10-32 |
| | 38 29642 | 1 | Retaining Ring |
| | 40 40049 | 1 | Piston, Pin & Ring Set (Std.) |
| | 40 40050 | 1 | Piston, Pin & Ring Set (.010" OS) |
| | 41 40047 | 1 | Piston & Pin Ass'y (Std.) (Incl. 43) |
| | 41 40048 | 1 | Piston & Pin Ass'y (.010" OS) (Incl. 43) |
| | 42 40013 | 1 | Ring Set (Std.) |
| | 42 40014 | 1 | Ring Set (.010" OS) |
| | 43 27888 | 2 | Piston Pin Retaining Ring |
| | 45 36897 | 1 | Connecting Rod Ass'y (Incl. 47 & 49) |
| | 47 651033 | 2 | Connecting Rod Bolt |
| | 48 35313 | 2 | Valve Lifter |
| | 49 36896 | 1 | Oil Dipper |
| | 50 37517 | 1 | Camshaft (MCR) |
| | 60 35316A | 1 | Blower Housing Extension |
| | 65 30200 | 1 | Screw, 10-24 x 9/16" |
| | 66 30063 | 1 | Screw, T-30, 1/4-20 x 1/2" |
| | 69 37342 | 1 | * Cylinder Cover Gasket |
| | 70 35376A | 1 | Cylinder Cover (Incl. 71,75,80-84) |
| | 71 35377 | 1 | Crankshaft Bearing |
| | 72 27642 | 2 | Oil Drain Plug |
| | 75 37648 | 1 | Oil Seal |
| | 80 37587 | 1 | Governor Shaft |
| | 81 651080 | 1 | Washer |
| | 82 37588 | 1 | Governor Gear Ass'y. (Incl. 81) |
| | 83 30588A | 1 | Governor Spool |
| | 84 29193 | 1 | Retaining Ring |
| | 86 650833 | 7 | Screw, 1/4-20 x 1-3/16" |
| | 87 650832 | 1 | Screw, 1/4-20 x 1-11/16" |
| | 89 32589 | 1 | Flywheel Key |
| | 90 611090 | 1 | Flywheel |
| | 92 650880 | 1 | Lock Washer |
| | 93 650881 | 1 | Flywheel Nut |
| | 94 651016 | 1 | Lock Nut, 10-32 |
| | 95 30886A | 1 | Extension Spring |
| | 96 30845A | 1 | R.P.M. Adjusting Bolt |
| | 100 35135A | 1 | Solid State Ignition (Incl. 101) |
| | 101 610118 | 1 | Spark Plug Cover |
| | 102 651024 | 2 | Solid State Mounting Stud |
| | 103 651007 | 2 | Screw, T-15, 10-24 x 15/16" |
| | 110 36993 | 1 | Ground Wire |
| | 110A 37357 | 1 | Ground Wire |

| Ref # | Part Number | Qty | Description |
|-------|-------------|-----|--------------------------------------|
| 111B | 611226 | 1 | Rocker On/Off Switch |
| 111 | 611220 | 1 | Low Oil Shut-Down Switch (Incl. 112) |
| 112 | 35967A | 1 | * Low Oil Shut-Down Gasket |
| 113 | 650950 | 4 | Screw, T-25, 10-24 x 5/8" |
| 119 | 37256 | 1 | * Cylinder Head Gasket |
| 120 | 37516 | 1 | Cylinder Head (Incl. 151A & 270A) |
| 125 | 36934 | 1 | Exhaust Valve (Std.) |
| 125 | 36936 | 1 | Exhaust Valve (1/32" OS) |
| 126 | 36935 | 1 | Intake Valve (Std.) |
| 127 | 650691 | 6 | Washer |
| 128 | 650690 | 6 | Belleville Washer |
| 130 | 650697A | 6 | Screw, 5/16-18 x 2-1/2" |
| 135 | 34645 | 1 | Spark Plug (RN4C) |
| 139 | 33369 | 1 | Governor Gear Bracket |
| 140 | 650836 | 2 | Screw, 10-24 x 1/2" |
| 150 | 33507 | 2 | Valve Spring |
| 151A | 35862 | 1 | Intake Valve Seal |
| 151 | 33508 | 2 | Valve Spring Keeper |
| 153 | 35949 | 1 | Push Rod Guide |
| 154 | 650945 | 1 | Rocker Arm Stud |
| 155 | 35950 | 1 | Rocker Arm |
| 157 | 650947 | 1 | Jam Nut |
| 158 | 35466 | 2 | Push Rod |
| 159 | 35952 | 1 | * Rocker Arm Cover Gasket |
| 160 | 35953A | 1 | Rocker Arm Cover |
| 161 | 30063 | 4 | Screw, T-30, 1/4-20 x 1/2" |
| 163 | 650890 | 2 | Lock Washer |
| 169 | 27896A | 2 | * Valve Cover Gasket |
| 170 | 28423 | 1 | Breather Body |
| 171 | 28424 | 1 | Breather Element |
| 172 | 37555 | 1 | Valve Cover |
| 173 | 37556 | 1 | Breather Tube |
| 174 | 650128 | 2 | Screw, 10-24 x 1/2" |
| 178 | 650928 | 2 | Nut & Lock Washer, 1/4-20 |
| 180 | 37101 | 1 | Blower Housing Extension |
| 181 | 30200 | 2 | Screw, 10-24 x 9/16" |
| 182 | 650925A | 2 | Carburetor Mounting Stud |
| 184 | 36352 | 1 | * Carburetor To Intake Pipe Gasket |
| 185 | 37557A | 1 | Intake Pipe |
| 186 | 37261 | 1 | Governor Link |
| 212A | 36288 | 1 | Bushing |
| 223 | 650978 | 2 | Screw, T-30, 5/16-18 x 1-7/16" |
| 224 | 33515A | 1 | * Intake Pipe Gasket |
| 228 | 651078 | 2 | Air Cleaner Stud |
| 239 | 36358 | 1 | * Air Cleaner Gasket |
| 241 | 37559 | 1 | Air Cleaner Body |
| 245 | 37452 | 1 | Air Cleaner Filter |
| 250 | 37560 | 1 | Air Cleaner Cover |
| 251 | 650933 | 2 | Wing Nut, 1/4-20 |
| 260 | 37667 | 1 | Blower Housing |
| 262 | 651084 | 2 | Screw, 5/16-18 x 9/16" |
| 264A | 650738 | 1 | Screw, 1/4-20 x 5/8" |
| 265 | 37086 | 1 | Cylinder Head Cover |
| 266 | 650876 | 2 | Screw, 5/16-18 x 1-9/32" |
| 269 | 35762 | 2 | * Exhaust Gasket |
| 270A | 35829A | 1 | Exhaust Port Liner |
| 270 | 35292 | 1 | Exhaust Manifold |
| 271 | 35293 | 1 | Locking Plate |

| Ref # | Part Number | Qty | Description |
|-------|-------------|-----|---|
| 275 | 37250 | 1 | Muffler |
| 276 | 35348 | 1 | Locking Plate |
| 277 | 650877 | 2 | Screw, 5/16-18 x 4-1/2" |
| 279 | 650821 | 5 | Screw, 10-32 x 1/2" |
| 281 | 33013 | 1 | Starter Bubble Cover |
| 282 | 650760 | 1 | Screw, 8-32 x 3/8" |
| 285 | 35985B | 1 | Starter Cup |
| 287 | 29752 | 4 | Nut & Lock Washer, 1/4-28 |
| 290 | 30962 | 1 | Fuel Line |
| 292 | 26460 | 2 | Fuel Line Clamp |
| 311 | 35941 | 1 | Oil Fill Plug (Incl. 312) |
| 312 | 29673 | 1 | Oil Fill Plug Gasket |
| 342 | 792028 | 2 | Screw, 5/16-18 x 7/8" |
| 355 | 590701 | 1 | Starter Handle |
| 370X | 37563 | 1 | Climate Guard Decal (Winter) |
| 370K | 36695 | 1 | Starter Decal |
| 370W | 37562 | 1 | Climate Guard Decal (Summer) |
| 380 | 640329 | 1 | Carburetor (Incl. 184) |
| 390 | 590746 | 1 | Rewind Starter (Note: This engine could have been built with 590704 starter.) |
| 400 | 37257A | 1 | *Gasket Set (Incl. items marked PK in notes) |
| 420 | 730225A | 1 | SAE 30 4-Cycle Engine Oil (Quart) |



| Ref # | Part Number | Qty | Description |
|-------|-------------|-----|---------------------------|
| 90 | 611090 | 1 | Flywheel |
| 111B | 611226 | 1 | Rocker On/Off Switch |
| 178 | 650928 | 2 | Nut & Lock Washer, 1/4-20 |
| 241 | 37559 | 1 | Air Cleaner Body |
| 260 | 37667 | 1 | Blower Housing |
| 370L | 37668 | 1 | Low Oil Decal |