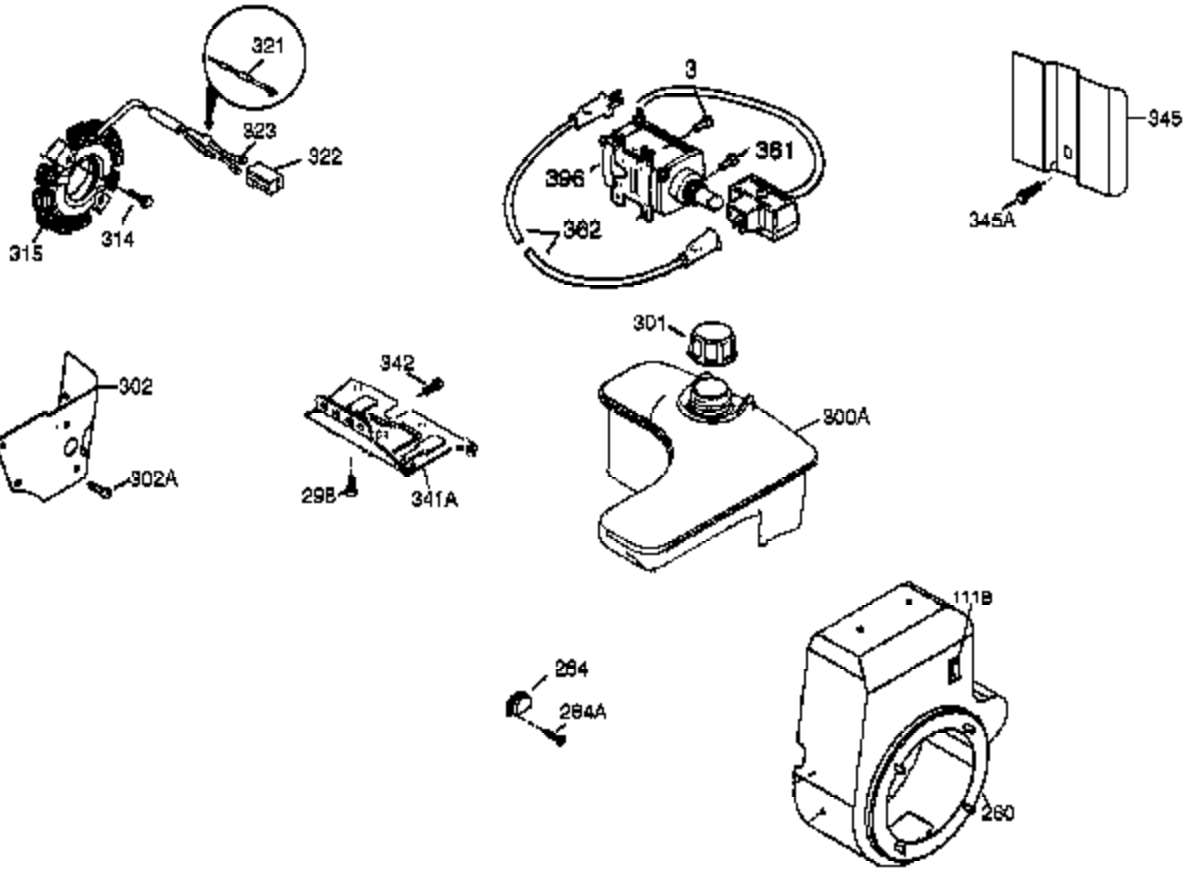


Ref #	Part Number	Qty	Description
1	37083	1	Cylinder (Incl. 2, 20 & 72)
2	27652	2	Dowel Pin
14	28277	1	Washer
14A	651057	1	Washer
15	35685	1	Governor Rod (Incl. 14 & 38)
16	35686	1	Governor Lever
17	29916	1	Governor Lever Clamp
18	651028	1	Screw, Torx T-15, 8-32 x 3/8"
19	35688	1	Extension Spring
20	35319	1	Oil Seal
25	37861	1	Blower Housing Baffle
26	650561	2	Screw, 1/4-20 x 5/8"
28	30322	1	Lock Nut, 10-32
30	35680A	1	Crankshaft
31	35327	1	Counterbalance Gear
35	29826	1	Screw, 10-32 x 3/4"
36	29918	1	Lock Washer
37	29216	1	Lock Nut, 10-32
38	29642	3	Retaining Ring
40	35776A	1	Piston, Pin & Ring Set (Std.)
40	35777A	1	Piston, Pin & Ring Set (.010" OS)
40	35778A	1	Piston, Pin & Ring Set (.020" OS)
41	35773A	1	Piston & Pin Ass'y (Std.) (Incl. 43)
41	35774A	1	Piston & Pin Ass'y (.010" OS) (Incl. 43)
41	35775A	1	Piston & Pin Ass'y (.020" OS) (Incl. 43)
42	35779	1	Ring Set (Std.)
42	35780	1	Ring Set (.010" OS)
42	35781	1	Ring Set (.020" OS)
43	35772	2	Piston Pin Retaining Ring
45	36898	1	Connecting Rod Ass'y (Incl. 47)
47	651033	2	Connecting Rod Bolt
48	35313	2	Valve Lifter
50	35682A	1	Camshaft (MCR)
51	35315A	1	Counterbalance Weight
60	35316A	1	Blower Housing Extension
65	651028	1	Screw, Torx T-15, 8-32 x 3/8"
66	650561	1	Screw, 1/4-20 x 19/32"
69	35683	1	* Cylinder Cover Gasket
70	35684A	1	Cylinder Cover (Incl. 14,15,38,71,75)
71	35377	1	Crankshaft Bushing
72	27642	2	Oil Drain Plug
75	35319	1	Oil Seal
80	35751	1	Governor Shaft
81	35479	2	Washer
82	35321	1	Governor Gear Ass'y
83	35322	1	Governor Spool
84	29193	1	Retaining Ring
86	650833	7	Screw, 1/4-20 x 1-3/16"
87	650832	1	Screw, 1/4-20 x 1-11/16"
89	32589	1	Flywheel Key
90	611094	1	Flywheel (W/Ring Gear)
92	650880	1	Lock Washer
93	650881	1	Flywheel Nut
100	35135	1	Solid State Ignition
101	610118	1	Spark Plug Cover
102	651024	2	Solid State Mounting Stud
103	651007	2	Screw, Torx T-15, 10-24 x 15/16"
110	35187	1	Ground Wire

Ref #	Part Number	Qty	Description
119	36932	1	* Cylinder Head Gasket
120	37084	1	Cylinder Head
125	36934	1	Exhaust Valve (Std.)
125	36936	1	Exhaust Valve (1/32" OS)
126	36935	1	Intake Valve (Std.)
126	36937	1	Intake Valve (1/32" OS)
127	650691	6	Washer
128	650690	6	Belleville Washer
130	650697A	6	Screw, 5/16-18 x 2-1/2"
135	34645	1	Spark Plug (RN4C)
150	33507	2	Valve Spring
151	33508	2	Valve Spring Keeper
153	35949	1	Push Rod Guide
154	650945	2	Rocker Arm Stud
155	35950	2	Rocker Arm
157	650947	2	Jam Nut
158	35466	2	Push Rod
159	35952	1	* Rocker Arm Cover Gasket
160	35953A	1	Rocker Arm Housing
161	30063	4	Screw, Torx T-30, 1/4-20 x 1/2"
163	650890	2	Lock Washer
169	27896A	2	* Valve Cover Gasket
170	28423	1	Breather Body
171	28424	1	Breather Element
172	28425	1	Valve Cover
173	35350	1	Breather Tube
174	650128	2	Screw, 10-24 x 1/2"
179	30593	1	Retainer Clip
180	37101	1	Blower Housing Extension
181	30200	2	Lock Nut, 10-32
182	650517	2	Screw, 1/4-20 x 27/32"
184	33263	1	* Carburetor To Intake Pipe Gasket
185	37085	1	Intake Pipe
186	35691	1	Governor Link
200	35695	1	Control Bracket (Incl.203,204,206,210 & 211)
202	36482	1	Compression Spring
203	31342	1	Compression Spring
204	651029	1	Screw, Torx T-10, 5-40 x 7/16"
205	651019	1	Screw, Torx T-10, 6-32 x 41/64"
206	610973	1	Terminal
207	35692	1	Throttle Link
209	650821	2	Screw, 10-32 x 1/2"
210	27793	1	Conduit Clip
211	28942	1	Screw, 10-32 x 3/8"
212	30773A	1	Bushing
213	650930	1	Screw, 10-32 x 5/8"
216	35679	1	R.P.M. Adjusting Lever
223	650971	2	Screw, Torx T-30, 5/16-18 x 7/8"
224	33515A	1	* Intake Pipe Gasket
233	37168	1	"O" Ring
233A	37169	1	"O" Ring
238	28820	2	Screw, 10-32 x 1/2"
239	27272A	1	* Air Cleaner Gasket
240	32377	1	Air Cleaner Bracket Ass'y
242	37166	1	Air Cleaner Bracket
245	31925	1	Air Cleaner Filter
245A	36727	1	Air Cleaner Filter
250	31926	1	Air Cleaner Cover

Ref #	Part Number	Qty	Description
251	650513	1	Wing Nut, 1/4-20
260	35716	1	Blower Housing
262	29747B	2	Screw, Torx T-40, 5/16-24 x 21/32"
264A	30063	1	Screw, Torx T-30, 1/4-20 x 1/2"
265	37086	1	Cylinder Head Cover
266	650876	2	Screw, 5/16-18 x 1-1/4"
269	35762	1	* Exhaust Gasket
270	35870	1	Exhaust Manifold
270A	35829A	1	Exhaust Port Liner
271	35293	1	Locking Plate (Manifold)
275	36542	1	Muffler
276	35348	1	Locking Plate
277	650877	2	Screw, 5/16-18 x 4-1/2"
285	35985B	1	Starter Cup
287	29752	4	Nut & Lock Washer, 1/4-28
290	30962	1	Fuel Line
292	26460	4	Fuel Line Clamp
298	650665	2	Screw, 1/4-15 x 3/4"
300	34156A	1	Fuel Tank (Incl. 292 & 301)
301	36246	1	Fuel Cap
305	35574	1	Oil Fill Tube
307	35499	1	"O" Ring
308	35539	1	Fill Tube Clip
310	35700	1	Dipstick
314	650873	2	Screw, 1/4-20 x 3/4"
319	650735	2	Screw, 10-24 x 3/8"
320	611098A	1	Regulator (7 Amp)
322A	610824	1	Connector Body
322	610921	1	Connector Body
323	610922	1	Terminal
324	33177	1	Terminal
340	35696	1	Fuel Tank Bracket
341	35697	1	Fuel Tank Bracket
342	792028	2	Screw, 5/16-18 x 7/8"
355	590701	1	Starter Handle
361	650990	4	Screw, Torx T-30, 1/4-20 x 15/32"
370G	35274	1	Oil Instruction Decal
370K	36695	1	Logo Decal 12 H.P.
380	640138	1	Carburetor (Incl. 184)
390	590746	1	Rewind Starter (NOTE: This engine could have been built with 590704 starter.)
395	36680	1	Electric Starter Motor (12 Volt)
400	36947B	1	*Gasket Set (Incl. items marked PK in notes) Incl. part #'s 27272A (1), 27896A (2), 33263 (1), 33515A (1), 35317 (1), 35683 (1), 35762 (2), 35952 (1), 36333 (1), 36352 (1), 36358 (1), 36832 (1), 36930 (1), 36932 (1), 36942 (1)
414	35352	1	Spark Arrestor Screen
420	730225	1	SAE 30 4-Cycle Engine Oil (Quart)



Ref #	Part Number	Qty	Description
170	28423	1	Breather Body
174	650128	2	Screw, 10-24 x 1/2"
260	35716	1	Blower Housing
284	35428	1	Exhaust Deflector
284A	650760	4	Screw, 8-32 x 3/8"
298	650665	2	Screw, 1/4-15 x 3/4"
301	36246	1	Fuel Cap
314	650873	2	Screw, 1/4-20 x 3/4"
315	611097	1	Alternator Coil (Incl. 322,322A & 323 )
322	610921	1	Connector Body
323	610922	1	Terminal
341	35697	1	Fuel Tank Bracket
342	792028	2	Screw, 5/16-18 x 7/8"
345	35699	1	Heat Baffle
361	650990	4	Screw, Torx T-30, 1/4-20 x 15/32"