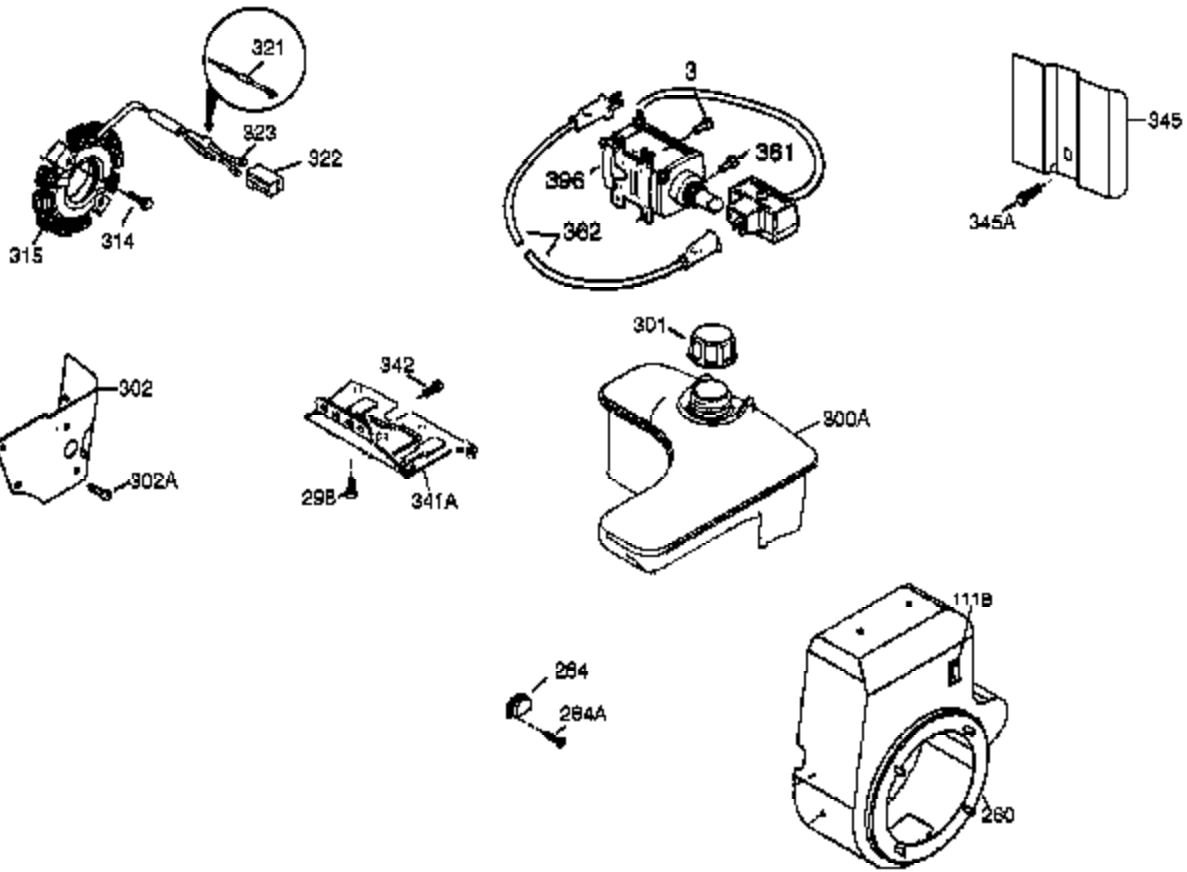


| Ref # | Part Number | Qty | Description |
|-------|-------------|-----|---|
| | 1 37083 | 1 | Cylinder (Incl. 2, 20 & 72) |
| | 2 27652 | 2 | Dowel Pin |
| | 14 28277 | 1 | Washer |
| | 14A 651057 | 1 | Washer |
| | 15 35685 | 1 | Governor Rod (Incl. 14 & 38) |
| | 16 35686 | 1 | Governor Lever |
| | 17 29916 | 1 | Governor Lever Clamp |
| | 18 651028 | 1 | Screw, Torx T-15, 8-32 x 3/8" |
| | 19 35688 | 1 | Extension Spring |
| | 19A 33857 | 1 | Extension Spring |
| | 20 35319 | 1 | Oil Seal |
| | 25 36460 | 1 | Blower Housing Baffle |
| | 26 650561 | 2 | Screw, 1/4-20 x 5/8" |
| | 28 30322 | 1 | Lock Nut, 10-32 |
| | 30 35680A | 1 | Crankshaft |
| | 31 35327 | 1 | Counterbalance Gear |
| | 35 29826 | 1 | Screw, 10-32 x 3/4" |
| | 36 29918 | 1 | Lock Washer |
| | 37 29216 | 1 | Lock Nut, 10-32 |
| | 38 29642 | 3 | Retaining Ring |
| | 40 35776A | 1 | Piston, Pin & Ring Set (Std.) |
| | 40 35777A | 1 | Piston, Pin & Ring Set (.010" OS) |
| | 40 35778A | 1 | Piston, Pin & Ring Set (.020" OS) |
| | 41 35773A | 1 | Piston & Pin Ass'y (Std.) (Incl. 43) |
| | 41 35774A | 1 | Piston & Pin Ass'y (.010" OS) (Incl. 43) |
| | 41 35775A | 1 | Piston & Pin Ass'y (.020" OS) (Incl. 43) |
| | 42 35779 | 1 | Ring Set (Std.) |
| | 42 35780 | 1 | Ring Set (.010" OS) |
| | 42 35781 | 1 | Ring Set (.020" OS) |
| | 43 35772 | 2 | Piston Pin Retaining Ring |
| | 45 36898 | 1 | Connecting Rod Ass'y (Incl. 47) |
| | 47 651033 | 2 | Connecting Rod Bolt |
| | 48 35313 | 2 | Valve Lifter |
| | 50 35682A | 1 | Camshaft (MCR) |
| | 51 35315A | 1 | Counterbalance Weight |
| | 60 35316A | 1 | Blower Housing Extension |
| | 65 650784 | 1 | Screw, 10-24 x 11/16" |
| | 66 650561 | 1 | Screw, 1/4-20 x 19/32" |
| | 69 35683 | 1 | * Cylinder Cover Gasket |
| | 70 35684A | 1 | Cylinder Cover (Incl. 14, 15, 38, 71, 75) |
| | 71 35377 | 1 | Crankshaft Bushing |
| | 72 27642 | 2 | Oil Drain Plug |
| | 75 35319 | 1 | Oil Seal |
| | 80 35751 | 1 | Governor Shaft |
| | 81 35479 | 2 | Washer |
| | 82 35321 | 1 | Governor Gear Ass'y |
| | 83 35322 | 1 | Governor Spool |
| | 84 29193 | 1 | Retaining Ring |
| | 86 650833 | 7 | Screw, 1/4-20 x 1-3/16" |
| | 87 650832 | 1 | Screw, 1/4-20 x 1-11/16" |
| | 89 32589 | 1 | Flywheel Key |
| | 90 611094 | 1 | Flywheel (W/Ring Gear) |
| | 92 650880 | 1 | Lock Washer |
| | 93 650881 | 1 | Flywheel Nut |
| | 100 35135 | 1 | Solid State Ignition |
| | 101 610118 | 1 | Spark Plug Cover |
| | 102 651024 | 2 | Solid State Mounting Stud |
| | 103 651007 | 2 | Screw, Torx T-15, 10-24 x 15/16" |

| Ref # | Part Number | Qty | Description |
|-------|-------------|-----|--|
| 119 | 36932 | 1 | * Cylinder Head Gasket |
| 120 | 37084 | 1 | Cylinder Head |
| 125 | 36934 | 1 | Exhaust Valve (Std.) |
| 125 | 36936 | 1 | Exhaust Valve (1/32" OS) |
| 126 | 36935 | 1 | Intake Valve (Std.) |
| 126 | 36937 | 1 | Intake Valve (1/32" OS) |
| 127 | 650691 | 6 | Washer |
| 128 | 650690 | 6 | Belleville Washer |
| 130 | 650697A | 6 | Screw, 5/16-18 x 2-1/2" |
| 135 | 34645 | 1 | Spark Plug (RN4C) |
| 150 | 33507 | 2 | Valve Spring |
| 151 | 33508 | 2 | Valve Spring Keeper |
| 153 | 35949 | 1 | Push Rod Guide |
| 154 | 650945 | 2 | Rocker Arm Stud |
| 155 | 35950 | 2 | Rocker Arm |
| 157 | 650947 | 2 | Jam Nut |
| 158 | 35466 | 2 | Push Rod |
| 159 | 35952 | 1 | * Rocker Arm Cover Gasket |
| 160 | 35953A | 1 | Rocker Arm Housing |
| 161 | 30063 | 4 | Screw, Torx T-30, 1/4-20 x 1/2" |
| 163 | 650890 | 2 | Lock Washer |
| 169 | 27896A | 2 | * Valve Cover Gasket |
| 170 | 28423 | 1 | Breather Body |
| 171 | 28424 | 1 | Breather Element |
| 172 | 28425 | 1 | Valve Cover |
| 173 | 35350 | 1 | Breather Tube |
| 174 | 650128 | 2 | Screw, 10-24 x 1/2" |
| 180 | 37101 | 1 | Blower Housing Extension |
| 181 | 30200 | 2 | Lock Nut, 10-32 |
| 182 | 650517 | 2 | Screw, 1/4-20 x 27/32" |
| 184 | 33263 | 1 | * Carburetor To Intake Pipe Gasket |
| 185 | 37085 | 1 | Intake Pipe |
| 186 | 35691 | 1 | Governor Link |
| 200 | 37223 | 1 | Control Bracket (Incl.203,204,206,210 & 211) |
| 202 | 36482 | 1 | Compression Spring |
| 203 | 31342 | 1 | Compression Spring |
| 204 | 651029 | 1 | Screw, Torx T-10, 5-40 x 7/16" |
| 205 | 651019 | 1 | Screw, Torx T-10, 6-32 x 41/64" |
| 207 | 35692 | 1 | Throttle Link |
| 209 | 650821 | 2 | Screw, 10-32 x 1/2" |
| 210 | 27793 | 1 | Conduit Clip |
| 211 | 650837 | 2 | Screw, 10-32 x 9/32" |
| 212 | 30773A | 1 | Bushing |
| 213 | 650930 | 1 | Screw, 10-32 x 5/8" |
| 216 | 35679 | 1 | R.P.M. Adjusting Lever |
| 223 | 650971 | 2 | Screw, Torx T-30, 5/16-18 x 7/8" |
| 224 | 33515A | 1 | * Intake Pipe Gasket |
| 233 | 37168 | 1 | "O" Ring |
| 233A | 37169 | 1 | "O" Ring |
| 238 | 28820 | 2 | Screw, 10-32 x 1/2" |
| 239 | 27272A | 1 | * Air Cleaner Gasket |
| 240 | 32377 | 1 | Air Cleaner Bracket Ass'y |
| 242 | 37166 | 1 | Air Cleaner Bracket |
| 245 | 31925 | 1 | Air Cleaner Filter |
| 250 | 31926 | 1 | Air Cleaner Cover |
| 251 | 650513 | 1 | Wing Nut, 1/4-20 |
| 260 | 35716 | 1 | Blower Housing |
| 262 | 29747B | 2 | Screw, Torx T-40, 5/16-24 x 21/32" |

| Ref # | Part Number | Qty | Description |
|-------|-------------|-----|--|
| 264A | 650888 | 1 | Screw, Torx T-30, 1/4-20 x 43/64" |
| 265 | 37086 | 1 | Cylinder Head Cover |
| 266 | 650876 | 2 | Screw, 5/16-18 x 1-1/4" |
| 269 | 35762 | 1 | * Exhaust Gasket |
| 270 | 37263 | 1 | Exhaust Manifold |
| 270A | 35829A | 1 | Exhaust Port Liner |
| 271 | 35293 | 1 | Locking Plate (Manifold) |
| 275 | 37264 | 1 | Muffler |
| 276 | 35348 | 1 | Locking Plate |
| 277 | 650877 | 2 | Screw, 5/16-18 x 4-1/2" |
| 279 | 651011 | 4 | Screw, 10-32 x 5/16" |
| 280 | 37265 | 1 | Heat Shield |
| 285 | 35985B | 1 | Starter Cup |
| 287 | 29752 | 4 | Nut & Lock Washer, 1/4-28 |
| 290 | 30962 | 1 | Fuel Line |
| 292 | 26460 | 4 | Fuel Line Clamp |
| 298 | 650665 | 2 | Screw, 1/4-15 x 3/4" |
| 300 | 34156A | 1 | Fuel Tank (Incl. 292 & 301) |
| 301 | 35650 | 1 | Fuel Cap |
| 304 | 35480 | 1 | Fuel Cap Retainer |
| 305 | 35574 | 1 | Oil Fill Tube |
| 307 | 35499 | 1 | "O" Ring |
| 308 | 35539 | 1 | Fill Tube Clip |
| 310 | 35700 | 1 | Dipstick |
| 314 | 650873 | 2 | Screw, 1/4-20 x 3/4" |
| 319 | 650735 | 2 | Screw, 10-24 x 3/8" |
| 320 | 611175 | 1 | Regulator (7 Amp) |
| 322 | 610921 | 1 | Connector Body |
| 323A | 611259 | 1 | Terminal |
| 323B | 611260 | 1 | Terminal |
| 323 | 610922 | 2 | Terminal |
| 340 | 35696 | 1 | Fuel Tank Bracket |
| 341 | 35697 | 1 | Fuel Tank Bracket |
| 342 | 792028 | 2 | Screw, 5/16-18 x 7/8" |
| 355 | 590701 | 1 | Starter Handle |
| 361 | 650990 | 4 | Screw, Torx T-30, 1/4-20 x 15/32" |
| 370K | 36695 | 1 | Logo Decal 12 H.P. |
| 370G | 35274 | 1 | Oil Instruction Decal |
| 380 | 640151 | 1 | Carburetor (Incl. 184) |
| 390 | 590746 | 1 | Rewind Starter (NOTE: This engine could have been built with 590704 starter.) |
| 395 | 36680 | 1 | Electric Starter Motor (12 Volt) |
| 400 | 36947B | 1 | *Gasket Set (Incl. items marked PK in notes) Incl. part #'s 27272A (1), 27896A (2), 33263 (1), 33515A (1), 35317 (1), 35683 (1), 35762 (2), 35952 (1), 36333 (1), 36352 (1), 36358 (1), 36832 (1), 36930 (1), 36932 (1), 36942 (1) |
| 414 | 35352 | 1 | Spark Arrestor Screen |
| 420 | 730225 | 1 | SAE 30 4-Cycle Engine Oil (Quart) |



| Ref # | Part Number | Qty | Description |
|-------|-------------|-----|--|
| 19A | 33857 | 1 | Extension Spring |
| 170 | 28423 | 1 | Breather Body |
| 174 | 650128 | 2 | Screw, 10-24 x 1/2" |
| 260 | 35716 | 1 | Blower Housing |
| 284 | 35428 | 1 | Exhaust Deflector |
| 284A | 650760 | 4 | Screw, 8-32 x 3/8" |
| 298 | 650665 | 2 | Screw, 1/4-15 x 3/4" |
| 301 | 35650 | 1 | Fuel Cap |
| 314 | 650873 | 2 | Screw, 1/4-20 x 3/4" |
| 315 | 611256 | 1 | Alternator Coil (7 Amp)(Incl. 322 - 3 23B) |
| 322 | 610921 | 1 | Connector Body |
| 323 | 610922 | 2 | Terminal |
| 341 | 35697 | 1 | Fuel Tank Bracket |
| 342 | 792028 | 2 | Screw, 5/16-18 x 7/8" |
| 345 | 35699 | 1 | Heat Baffle |
| 361 | 650990 | 4 | Screw, Torx T-30, 1/4-20 x 15/32" |