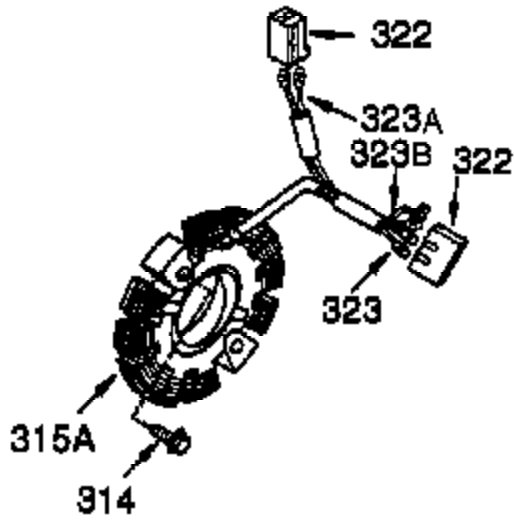
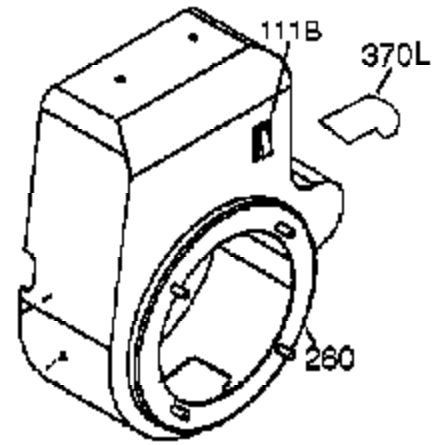
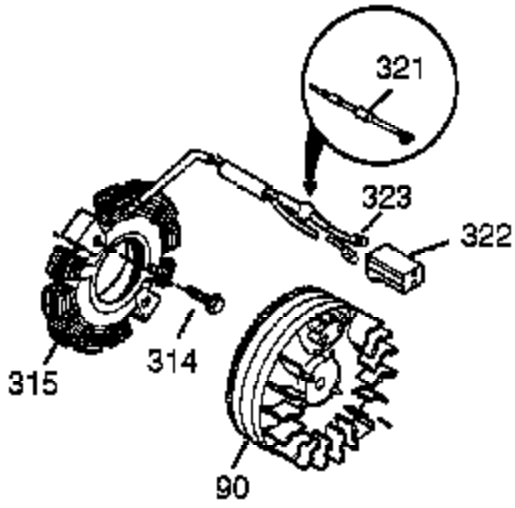


Ref #	Part Number	Qty	Description
1	37251	1	Cylinder (Incl. 2, 20 & 72)
2	27652	2	Dowel Pin
14	28277	1	Washer
14A	651057	1	Washer
15B	650494	1	Screw, 6-40 x 5/16"
15	30699C	1	Governor Rod Ass'y (Incl. 15A & 15B)
15A	30700	1	Governor Yoke
16	37255A	1	Governor Lever (Incl. 212A)
17	29916	1	Governor Lever Clamp
18	651028	1	Screw, Torx T-15, 8-32 x 3/8"
19A	36281	1	Extension Spring
19	33857	1	Extension Spring
20	35319	1	Oil Seal
25	36460	1	Blower Housing Baffle
26	650561	2	Screw, 1/4-20 x 19/32"
28	30322	1	Nut & Lock Washer, 8-32
30	37252	1	Crankshaft
35	29826	1	Screw, 10-32 x 3/4"
36	29918	1	Lock Washer
37	29216	1	Lock Nut, 10-32
38	29642	1	Retaining Ring
40	40011	1	Piston, Pin & Ring Set (Std.)
40	40012	1	Piston, Pin & Ring Set (.010" OS)
41	40009	1	Piston & Pin Ass'y (Std.) (Incl. 43)
41	40010	1	Piston & Pin Ass'y (.010" OS) (Incl. 43)
42	40013	1	Ring Set (Std.)
42	40014	1	Ring Set (.010" OS)
43	27888	2	Piston Pin Retaining Ring
45	36897	1	Connecting Rod Ass'y (Incl. 47 & 49)
47	651033	2	Connecting Rod Bolt
48	35313	2	Valve Lifter
49	36896	1	Oil Dipper
50	37517	1	Camshaft (MCR)
60	35316A	1	Blower Housing Extension
65	30200	1	Screw, 10-24 x 3/16"
66	650990	1	Screw, T-30, 1/4-20 x 15/32"
69	37342	1	* Cylinder Cover Gasket
70	37585	1	Cylinder Cover (Incl. 71, 75 & 80)
71	35377	1	Crankshaft Bushing
72	27642	2	Oil Drain Plug
75	35319	1	Oil Seal
80	31845	1	Governor Shaft
81	30590A	1	Washer
82	35378	1	Governor Gear Ass'y. (Incl. 81)
83	30588A	1	Governor Spool
84	29193	1	Retaining Ring
86	650833	7	Screw, 1/4-20 x 1-3/16"
87	650832	1	Screw, 1/4-20 x 1-11/16"
89	32589	1	Flywheel Key
90	611094	1	Flywheel (W/Ring Gear)
92	650880	1	Lock Washer
93	650881	1	Flywheel Nut
100	35135A	1	Solid State Ignition (Incl. 101)
101	610118	1	Spark Plug Cover
102	651024	2	Solid State Mounting Stud
103	651007	2	Screw, Torx T-15, 10-24 x 15/16"
110A	37357	1	Ground Wire
110	36993	1	Ground Wire

Ref #	Part Number	Qty	Description
111B	611224	1	Rocker On/Off Switch
119	37256	1	* Cylinder Head Gasket
120	37516	1	Cylinder Head (Incl. 151A & 270A)
125	36934	1	Exhaust Valve (Std.)
125	36936	1	Exhaust Valve (1/32" OS)
126	36935	1	Intake Valve (Std.)
127	650691	6	Washer
128	650690	6	Belleville Washer
130	650697A	6	Screw, 5/16-18 x 2-1/2"
135	34645	1	Spark Plug (RN4C)
139	33369	1	Governor Gear Bracket
140	650836	1	Screw, 10-24 x 1/2"
150	33507	2	Valve Spring
151	33508	2	Valve Spring Keeper
151A	35862	1	Intake Valve Seal
153	35949	1	Push Rod Guide
154	650945	2	Rocker Arm Stud
155	35950	2	Rocker Arm
157	650947	2	Jam Nut
158	35466	2	Push Rod
159	35952	1	* Rocker Arm Cover Gasket
160	35953A	1	Rocker Arm Cover
161	30063	4	Screw, Torx T-30, 1/4-20 x 1/2"
163	650890	2	Lock Washer
169	27896A	2	* Valve Cover Gasket
170	28423	1	Breather Body
171	28424	1	Breather Element
172	37555	1	Valve Cover
173	37556	1	Breather Tube
174	650128	2	Screw, 10-24 x 1/2"
174A	651056	1	Screw, 10-24 x 29/32"
180	37101	1	Blower Housing Extension
181	30200	2	Lock Nut, 10-32
182	650925A	2	Carburetor Mounting Stud
184	36352	1	* Carburetor To Intake Pipe Gasket
185	37557	1	Intake Pipe
186	37261	1	Governor Link
200	37223	1	Control Bracket (Incl. 203 & 204)
203	31342	1	Compression Spring
204	651029	1	Screw, Torx T-10, 5-40 x 7/16"
207	37262	1	Throttle Link
209	650821	2	Screw, 10-32 x 1/2"
209A	28942	1	Screw, 10-32 x 3/8"
210	27793	2	Conduit Clip
211	650837	2	Screw, 10-32 x 9/32"
212	30773A	1	Bushing
212A	36288	1	Bushing
217	37260	1	Bellcrank Lever
223	650971	2	Screw, Torx T-30, 5/16-18 x 7/8"
224	33515A	1	* Intake Pipe Gasket
228	651078	2	Air Cleaner Stud
234	650928	2	Air Cleaner Nut, 1/4-20
239	36358	1	* Air Cleaner Gasket
240	37559	1	Air Cleaner Body
245A	36727	1	Air Cleaner Filter
245	37452	1	Air Cleaner Filter
250	37560	1	Air Cleaner Cover
251	650933	2	Wing Nut, 1/4-20

Ref #	Part Number	Qty	Description
260	37558	1	Blower Housing
262	29747B	2	Screw, Torx T-40, 5/16-24 x 21/32"
264A	650738	1	Screw, 1/4-20 x 5/8"
265	37086	1	Cylinder Head Cover
266	650876	2	Screw, 5/16-18 x 1-9/32"
269	35762	2	* Exhaust Gasket
270A	35829A	1	Exhaust Port Liner
270	37263	1	Exhaust Manifold
271	35293	1	Locking Plate
275	37264	1	Muffler
276	35348	1	Locking Plate
277	650877	2	Screw, 5/16-18 x 4-1/2"
279	651011	4	Screw, 10-32 x 5/16"
280	37561	1	Heat Shield
285	35985B	1	Starter Cup
287	29752	4	Nut & Lock Washer, 1/4-28
290	30962	1	Fuel Line
292	26460	4	Fuel Line Clamp
298	650665	2	Screw, 1/4-15 x 3/4"
300	37099	1	Fuel Tank (Incl. 292 & 301)
301	36754	1	Fuel Cap
302	37100	1	Fuel Tank Extension
302A	650821	3	Screw, 10-32 x 1/2"
304	35480	1	Fuel Cap Retainer
305	35574	1	Oil Fill Tube
307	35499	1	"O" Ring
308	35539	1	Fill Tube Clip
310	35700	1	Dipstick
319	650735	2	Screw, 10-32 x 3/8"
320	611175A	1	Regulator
324	33177	1	Terminal
338	650821	4	Screw, 10-32 x 1/2"
341	37093	1	Fuel Tank Bracket
342	650990	1	Screw, T-30, 1/4-20 x 15/32"
345	37097	1	Heat Baffle
345A	792028	2	Screw, 5/16-18 x 7/8"
348	37586	1	Remote Choke Bracket
349	650821	1	Screw, 10-32 x 1/2"
355	590701	1	Starter Handle
361	650990	4	Screw, T-30, 1/4-20 x 15/32"
370W	37562	1	Climate Guard Decal (Summer)
370K	36695	1	Starter Decal
370G	35274	1	Instruction Decal
370X	37563	1	Climate Guard Decal (Winter)
380	640289	1	Carburetor (Incl. 184)
390	590746	1	Rewind Starter (Note: This engine could have been built with 590704 starter.)
395	36680	1	Electric Starter Motor (12 Volt)
400	37257A	1	*Gasket Set (Incl. items marked PK in notes) Incl. part #'s 27896A (2),33263 (1),33515A (1),35762 (2), 35952 (1),36352 (1),36358 (1), 37256 (1), 3 7342 (1)
420	730225A	1	SAE 30 4-Cycle Engine Oil (Quart)



Ref #	Part Number	Qty	Description
90	611094	1	Flywheel (W/Ring Gear)
111B	611224	1	Rocker On/Off Switch
209A	28942	1	Screw, 10-32 x 3/8"
260	37558	1	Blower Housing
314	650873	2	Screw, 1/4-20 x 3/4"
315A	611286	1	Alternator Coil (7 Amp)(Incl. 322 - 3 23B)
322	611229	1	Connector Body
323A	611276	1	Terminal
323B	611277	1	Terminal
323	611230	2	Terminal
338	650821	4	Screw, 10-32 x 1/2"
348	37586	1	Remote Choke Bracket
349	650821	1	Screw, 10-32 x 1/2"