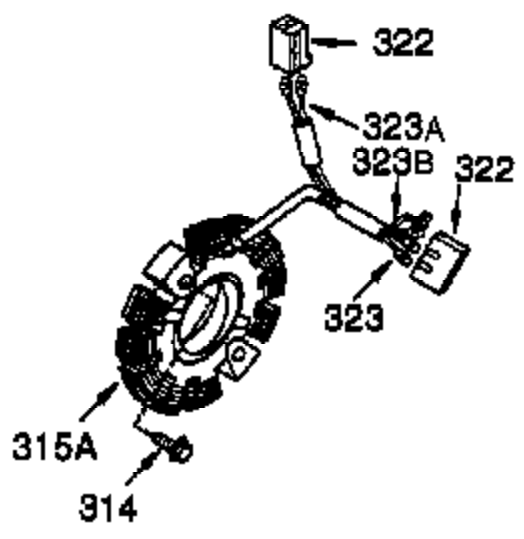
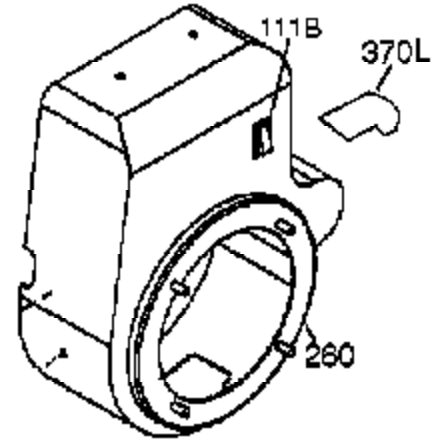
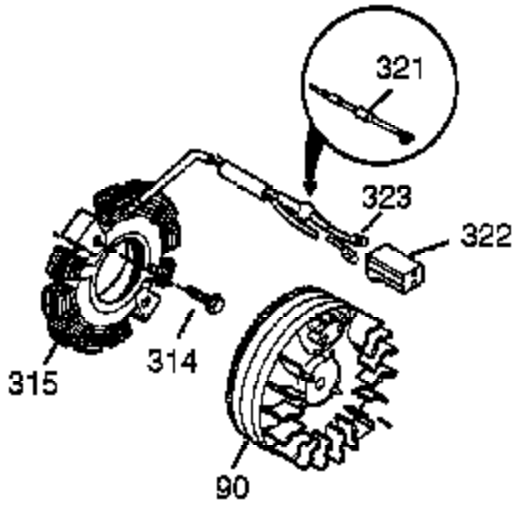


| Ref # | Part Number | Qty | Description |
|-------|-------------|-----|--|
| 1 | 37251 | 1 | Cylinder (Incl. 2 & 20) |
| 2 | 27652 | 2 | Dowel Pin |
| 4 | 0 | 1 | Oil Drain Extension (Purchase Locally) |
| 5 | 30969 | 1 | Extension Cap |
| 14 | 28277 | 1 | Washer |
| 14A | 651057 | 1 | Washer |
| 15B | 650494 | 1 | Screw, 6-40 x 5/16" |
| 15 | 30699C | 1 | Governor Rod Ass'y (Incl. 15A & 15B) |
| 15A | 30700 | 1 | Governor Yoke |
| 16 | 37255A | 1 | Governor Lever (Incl. 212A) |
| 17 | 29916 | 1 | Governor Lever Clamp |
| 18 | 651028 | 1 | Screw, T-15, 8-32 x 3/8" |
| 19A | 36281 | 1 | Extension Spring |
| 20 | 35319 | 1 | Oil Seal |
| 25 | 37853 | 1 | Blower Housing Baffle |
| 26 | 650561 | 2 | Screw, 1/4-20 x 19/32" |
| 28 | 30322 | 1 | Nut & Lock Washer, 8-32 |
| 30 | 37276 | 1 | Crankshaft |
| 35 | 29826 | 1 | Screw, 10-32 x 3/4" |
| 36 | 29918 | 1 | Lock Washer |
| 37 | 29216 | 1 | Lock Nut, 10-32 |
| 38 | 29642 | 1 | Retaining Ring |
| 40 | 40049 | 1 | Piston, Pin & Ring Set (Std.) |
| 40 | 40050 | 1 | Piston, Pin & Ring Set (.010" OS) |
| 41 | 40047 | 1 | Piston & Pin Ass'y (Std.) (Incl. 43) |
| 41 | 40048 | 1 | Piston & Pin Ass'y (.010" OS) (Incl. 43) |
| 42 | 40013 | 1 | Ring Set (Std.) |
| 42 | 40014 | 1 | Ring Set (.010" OS) |
| 43 | 27888 | 2 | Piston Pin Retaining Ring |
| 45 | 36897 | 1 | Connecting Rod Ass'y (Incl. 47 & 49) |
| 47 | 651033 | 2 | Connecting Rod Bolt |
| 48 | 35313 | 2 | Valve Lifter |
| 49 | 36896 | 1 | Oil Dipper |
| 50 | 37517 | 1 | Camshaft (MCR) |
| 60 | 35316A | 1 | Blower Housing Extension |
| 65 | 30200 | 1 | Screw, 10-24 x 9/16" |
| 66 | 30063 | 1 | Screw, T-30, 1/4-20 x 1/2" |
| 69 | 37342 | 1 | * Cylinder Cover Gasket |
| 70 | 37273B | 1 | Cylinder Cover (Incl. 71,75,80-84) |
| 71 | 35377 | 1 | Crankshaft Bushing |
| 72 | 27642 | 1 | Oil Drain Plug |
| 75 | 35319 | 1 | Oil Seal |
| 80 | 37587 | 1 | Governor Shaft |
| 81 | 651080 | 1 | Washer |
| 82 | 37588 | 1 | Governor Gear Ass'y. (Incl. 81) |
| 83 | 30588A | 1 | Governor Spool |
| 84 | 29193 | 1 | Retaining Ring |
| 86 | 650833 | 7 | Screw, 1/4-20 x 1-3/16" |
| 87 | 650832 | 1 | Screw, 1/4-20 x 1-11/16" |
| 89 | 32589 | 1 | Flywheel Key |
| 90 | 611094 | 1 | Flywheel (W/Ring Gear) |
| 92 | 650880 | 1 | Lock Washer |
| 93 | 650881 | 1 | Flywheel Nut |
| 100 | 35135A | 1 | Solid State Ignition (Incl. 101) |
| 101 | 610118 | 1 | Spark Plug Cover |
| 102 | 651024 | 2 | Solid State Mounting Stud |
| 103 | 651007 | 2 | Screw, T-15, 10-24 x 15/16" |
| 110 | 36993 | 1 | Ground Wire |

| Ref # | Part Number | Qty | Description |
|-------|-------------|-----|------------------------------------|
| 110B | 37798 | 1 | Ground Wire |
| 110A | 37357 | 1 | Ground Wire |
| 111B | 611224 | 1 | Rocker On/Off Switch |
| 119 | 37256 | 1 | * Cylinder Head Gasket |
| 120 | 37516 | 1 | Cylinder Head (Incl. 151A & 270A) |
| 125 | 36934 | 1 | Exhaust Valve (Std.) |
| 125 | 36936 | 1 | Exhaust Valve (1/32" OS) |
| 126 | 36935 | 1 | Intake Valve (Std.) |
| 127 | 650691 | 6 | Washer |
| 128 | 650690 | 6 | Belleville Washer |
| 130 | 650697A | 6 | Screw, 5/16-18 x 2-1/2" |
| 135 | 34645 | 1 | Spark Plug (RN4C) |
| 139 | 33369 | 1 | Governor Gear Bracket |
| 140 | 650836 | 2 | Screw, 10-24 x 1/2" |
| 150 | 33507 | 2 | Valve Spring |
| 151 | 33508 | 2 | Valve Spring Keeper |
| 151A | 35862 | 1 | Intake Valve Seal |
| 153 | 35949 | 1 | Push Rod Guide |
| 154 | 650945 | 2 | Rocker Arm Stud |
| 155 | 35950 | 2 | Rocker Arm |
| 157 | 650947 | 2 | Jam Nut |
| 158 | 35466 | 2 | Push Rod |
| 159 | 35952 | 1 | * Rocker Arm Cover Gasket |
| 160 | 35953A | 1 | Rocker Arm Cover |
| 161 | 651034 | 4 | Valve Cover Mounting Stud |
| 163 | 650890 | 2 | Lock Washer |
| 169 | 27896A | 2 | * Valve Cover Gasket |
| 170 | 28423 | 1 | Breather Body |
| 171 | 28424 | 1 | Breather Element |
| 172 | 37555 | 1 | Valve Cover |
| 173 | 37556 | 1 | Breather Tube |
| 174 | 650128 | 1 | Screw, 10-24 x 1/2" |
| 174A | 651056 | 1 | Screw, 10-24 x 29/32" |
| 180 | 37101 | 1 | Blower Housing Extension |
| 181 | 30200 | 2 | Lock Nut, 10-32 |
| 182 | 650925A | 2 | Carburetor Mounting Stud |
| 184 | 36352 | 1 | * Carburetor To Intake Pipe Gasket |
| 185 | 37557A | 1 | Intake Pipe |
| 186 | 37261 | 1 | Governor Link |
| 200 | 35702 | 1 | Control Bracket (Incl. 203 & 204) |
| 203 | 31342 | 1 | Compression Spring |
| 204 | 651029 | 1 | Screw, T-10, 5-40 x 7/16" |
| 207 | 37262 | 1 | Throttle Link |
| 209 | 650821 | 2 | Screw, 10-32 x 1/2" |
| 212A | 36288 | 1 | Bushing |
| 212 | 30773A | 1 | Bushing |
| 215 | 32410 | 1 | Control Knob |
| 217 | 37260 | 1 | Bellcrank Lever |
| 223A | 650378 | 1 | Screw, T-30, 5/16-18 x 1-3/32" |
| 223 | 650978 | 1 | Screw, T-30, 5/16-18 x 1-7/16" |
| 224 | 33515A | 1 | * Intake Pipe Gasket |
| 228 | 651078 | 2 | Air Cleaner Stud |
| 234 | 650928 | 2 | Air Cleaner Nut, 1/4-20 |
| 239 | 36358 | 1 | * Air Cleaner Gasket |
| 240 | 37559 | 1 | Air Cleaner Body |
| 245A | 36727 | 1 | Air Cleaner Filter |
| 245 | 37452 | 1 | Air Cleaner Filter |
| 250 | 37560 | 1 | Air Cleaner Cover |

| Ref # | Part Number | Qty | Description |
|-------|-------------|-----|---|
| 251 | 650933 | 2 | Wing Nut, 1/4-20 |
| 260 | 37593A | 1 | Blower Housing |
| 262 | 651084 | 2 | Screw, 5/16-18 x 9/16" |
| 264A | 650738 | 1 | Screw, 1/4-20 x 5/8" |
| 265 | 37086 | 1 | Cylinder Head Cover |
| 266 | 650876 | 2 | Screw, 5/16-18 x 1-9/32" |
| 269 | 35762 | 2 | * Exhaust Gasket |
| 270A | 35829A | 1 | Exhaust Port Liner |
| 270 | 37263 | 1 | Exhaust Manifold |
| 271 | 35293 | 1 | Locking Plate |
| 275 | 37264 | 1 | Muffler |
| 276A | 31588 | 1 | Locking Plate |
| 276 | 35348 | 1 | Locking Plate |
| 277 | 650877 | 2 | Screw, 5/16-18 x 4-1/2" |
| 279 | 650821 | 5 | Screw, 10-32 x 1/2" " |
| 280 | 37561 | 1 | Heat Shield |
| 280A | 37106 | 1 | Radiation Heat Shield |
| 281 | 33013 | 1 | Starter Bubble Cover |
| 282 | 650760 | 1 | Screw, 8-32 x 3/8" |
| 285 | 35985B | 1 | Starter Cup |
| 287 | 29752 | 4 | Nut & Lock Washer, 1/4-28 |
| 290 | 30962 | 1 | Fuel Line |
| 291 | 29774 | 1 | Fuel Line |
| 292 | 26460 | 4 | Fuel Line Clamp |
| 295 | 35857 | 1 | Fuel Shut-Off Valve (Incl. 292) |
| 298 | 650665 | 2 | Screw, 1/4-15 x 3/4" |
| 300 | 37099 | 1 | Fuel Tank (Incl. 292 & 301) |
| 301 | 36246 | 1 | Fuel Cap |
| 302A | 650821 | 3 | Screw, 10-32 x 1/2" |
| 302 | 37098 | 1 | Fuel Tank Extension |
| 305 | 35574 | 1 | Oil Fill Tube |
| 307 | 35499 | 1 | "O" Ring |
| 308 | 35539 | 1 | Fill Tube Clip |
| 310 | 35700 | 1 | Dipstick |
| 338 | 650821 | 1 | Screw, 10-32 x 1/2" |
| 341 | 37093 | 1 | Fuel Tank Bracket |
| 345 | 37097 | 1 | Heat Baffle |
| 345A | 792028 | 2 | Screw, 5/16-18 x 7/8" |
| 355 | 590574 | 1 | Starter Handle |
| 370B | 35703 | 1 | Control Decal |
| 370K | 36695 | 1 | Starter Decal |
| 370X | 37563 | 1 | Climate Guard Decal (Winter) |
| 370R | 37119 | 1 | Warning Decal |
| 370W | 37562 | 1 | Climate Guard Decal (Summer) |
| 380 | 640329 | 1 | Carburetor (Incl. 184) |
| 390 | 590749 | 1 | Rewind Starter (Note: This engine could have been built with 590733 starter.) |
| 400 | 37257A | 1 | *Gasket Set (Incl. items marked PK in notes) |
| 420 | 730225A | 1 | SAE 30 4-Cycle Engine Oil (Quart) |



| Ref # | Part Number | Qty | Description |
|-------|-------------|-----|---|
| 90 | 611094 | 1 | Flywheel (W/Ring Gear) |
| 111B | 611224 | 1 | Rocker On/Off Switch |
| 260 | 37593A | 1 | Blower Housing |
| 314 | 650873 | 2 | Screw, 1/4-20 x 3/4" |
| 315 | 611271 | 1 | Alternator Coil (3/5 Split)(Incl. - 3 21 - 323) |
| 321 | 611161 | 1 | Diode |
| 322 | 611229 | 1 | Connector Body |
| 323 | 611230 | 2 | Terminal |
| 338 | 650821 | 1 | Screw, 10-32 x 1/2" |