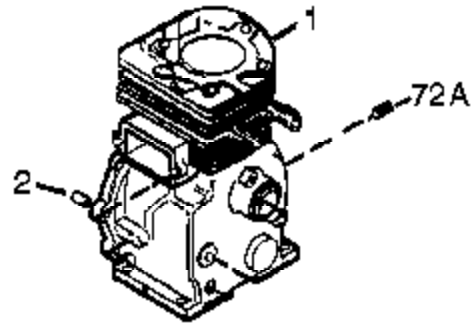
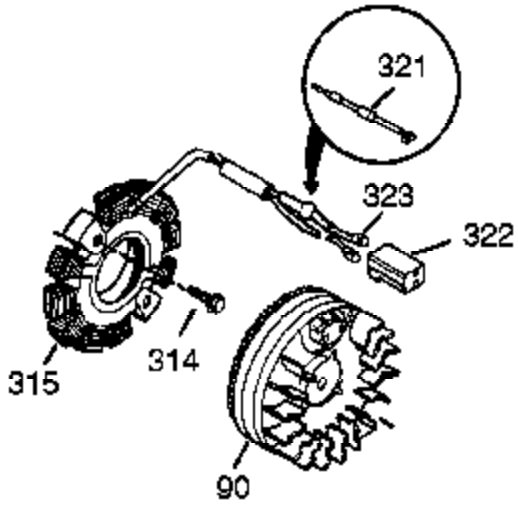




| Ref # | Part Number | Qty | Description                              |
|-------|-------------|-----|--|
| 1     | 37251       | 1   | Cylinder (Incl. 2 & 20)                  |
| 2     | 27652       | 2   | Dowel Pin                                |
| 3     | 650820      | 2   | Screw, 1/4-20 x 1/2"                     |
| 4     | 31857       | 1   | Oil Drain Extension (Purchase Locally )  |
| 5     | 30969       | 1   | Extension Cap                            |
| 14    | 28277       | 1   | Washer                                   |
| 14A   | 651057      | 1   | Washer                                   |
| 15B   | 650494      | 1   | Screw, 6-40 x 5/16"                      |
| 15A   | 30700       | 1   | Governor Yoke                            |
| 15    | 30699C      | 1   | Governor Rod Ass'y (Incl. 15A & 15B)     |
| 16    | 37255A      | 1   | Governor Lever (Incl. 212A)              |
| 17    | 29916       | 1   | Governor Lever Clamp                     |
| 18    | 651028      | 1   | Screw, T-15, 8-32 x 3/8"                 |
| 19    | 36281       | 1   | Extension Spring                         |
| 20    | 35319       | 1   | Oil Seal                                 |
| 25    | 36460       | 1   | Blower Housing Baffle                    |
| 26    | 650561      | 2   | Screw, 1/4-20 x 5/8"                     |
| 28    | 30322       | 1   | Lock Nut, 10-32                          |
| 30    | 37344       | 1   | Crankshaft                               |
| 35    | 29826       | 1   | Screw, 10-32 x 3/4"                      |
| 36    | 29918       | 1   | Lock Washer                              |
| 37    | 29216       | 1   | Lock Nut, 10-32                          |
| 38    | 29642       | 1   | Retaining Ring                           |
| 40    | 40011       | 1   | Piston, Pin & Ring Set (Std.)            |
| 40    | 40012       | 1   | Piston, Pin & Ring Set (.010" OS)        |
| 41    | 40009       | 1   | Piston & Pin Ass'y (Std.) (Incl. 43)     |
| 41    | 40010       | 1   | Piston & Pin Ass'y (.010" OS) (Incl. 43) |
| 42    | 40013       | 1   | Ring Set (Std.)                          |
| 42    | 40014       | 1   | Ring Set (.010" OS)                      |
| 43    | 27888       | 2   | Piston Pin Retaining Ring                |
| 45    | 36897       | 1   | Connecting Rod Ass'y (Incl. 47 & 49)     |
| 47    | 651033      | 2   | Connecting Rod Bolt                      |
| 48    | 35313       | 2   | Valve Lifter                             |
| 49    | 36896       | 1   | Oil Dipper                               |
| 50    | 37517       | 1   | Camshaft (MCR)                           |
| 60    | 35316A      | 1   | Blower Housing Extension                 |
| 65    | 30200       | 1   | Screw, 10-24 x 3/16"                     |
| 66    | 30063       | 1   | Screw, T-30, 1/4-20 x 1/2"               |
| 69    | 35262A      | 1   | * Cylinder Cover Gasket                  |
| 70    | 37273A      | 1   | Cylinder Cover (Incl. 71, 75 & 80)       |
| 71    | 35377       | 1   | Crankshaft Bushing                       |
| 75    | 35319       | 1   | Oil Seal                                 |
| 80    | 31845       | 1   | Governor Shaft                           |
| 81    | 30590A      | 1   | Washer                                   |
| 82    | 35378       | 1   | Governor Gear Ass'y                      |
| 83    | 30588A      | 1   | Governor Spool                           |
| 84    | 29193       | 1   | Retaining Ring                           |
| 86    | 650833      | 7   | Screw, 1/4-20 x 1-3/16"                  |
| 87    | 650832      | 1   | Screw, 1/4-20 x 1-11/16"                 |
| 89    | 32589       | 1   | Flywheel Key                             |
| 90    | 611093      | 1   | Flywheel (W/Ring Gear)                   |
| 92    | 650880      | 1   | Lock Washer                              |
| 93    | 650881      | 1   | Flywheel Nut                             |
| 100   | 35135A      | 1   | Solid State Ignition (Incl. 101)         |
| 101   | 610118      | 1   | Spark Plug Cover                         |
| 102   | 651024      | 2   | Solid State Mounting Stud                |
| 103   | 651007      | 2   | Screw, T-15, 10-24 x 15/16"              |
| 110   | 35187       | 1   | Ground Wire                              |

| Ref # | Part Number | Qty | Description                        |
|-------|-------------|-----|------------------------------------|
| 110A  | 37047       | 1   | Ground Wire                        |
| 119   | 37256       | 1   | * Cylinder Head Gasket             |
| 120   | 37516       | 1   | Cylinder Head (Incl. 151A & 270A)  |
| 125   | 36934       | 1   | Exhaust Valve (Std.)               |
| 125   | 36936       | 1   | Exhaust Valve (1/32" OS)           |
| 126   | 36935       | 1   | Intake Valve (Std.)                |
| 127   | 650691      | 6   | Washer                             |
| 128   | 650690      | 6   | Belleville Washer                  |
| 130   | 650697A     | 6   | Screw, 5/16-18 x 2-1/2"            |
| 135   | 34645       | 1   | Spark Plug (RN4C)                  |
| 139   | 33369       | 1   | Governor Gear Bracket              |
| 140   | 650836      | 1   | Screw, 10-24 x 1/2"                |
| 150   | 33507       | 2   | Valve Spring                       |
| 151   | 33508       | 2   | Valve Spring Keeper                |
| 151A  | 35862       | 1   | Intake Valve Seal                  |
| 153   | 35949       | 1   | Push Rod Guide                     |
| 154   | 650945      | 2   | Rocker Arm Stud                    |
| 155   | 35950       | 2   | Rocker Arm                         |
| 157   | 650947      | 2   | Jam Nut                            |
| 158   | 35466       | 2   | Push Rod                           |
| 159   | 35952       | 1   | * Rocker Arm Cover Gasket          |
| 160   | 35953A      | 1   | Rocker Arm Cover                   |
| 161   | 30063       | 4   | Screw, T-30, 1/4-20 x 1/2"         |
| 163   | 650890      | 2   | Lock Washer                        |
| 169   | 27896A      | 2   | * Valve Cover Gasket               |
| 170   | 28423       | 1   | Breather Body                      |
| 171   | 28424       | 1   | Breather Element                   |
| 172   | 28425       | 1   | Valve Cover                        |
| 173   | 35350       | 1   | Breather Tube                      |
| 174   | 650128      | 2   | Screw, 10-24 x 1/2"                |
| 174A  | 651056      | 1   | Screw, 10-24 x 29/32"              |
| 180   | 35954       | 1   | Blower Housing Extension           |
| 181   | 30200       | 2   | Lock Nut, 10-32                    |
| 182   | 650517      | 2   | Screw, T-30, 1/4-20 x 27/32"       |
| 183   | 34583A      | 1   | Choke Bracket                      |
| 184   | 33263       | 1   | * Carburetor To Intake Pipe Gasket |
| 185   | 37085       | 1   | Intake Pipe                        |
| 186   | 37261       | 1   | Governor Link                      |
| 186B  | 36653       | 1   | Choke Spring                       |
| 200   | 35702       | 1   | Control Bracket (Incl. 203 & 204)  |
| 203   | 31342       | 1   | Compression Spring                 |
| 204   | 651029      | 1   | Screw, T-10, 5-40 x 7/16"          |
| 206   | 610973      | 1   | Terminal                           |
| 207   | 37262       | 1   | Throttle Link                      |
| 209   | 650821      | 2   | Screw, 10-32 x 1/2"                |
| 212A  | 36288       | 1   | Bushing                            |
| 212   | 30773A      | 1   | Bushing                            |
| 215   | 35440       | 1   | Choke Knob                         |
| 217   | 37260       | 1   | Bellcrank Lever                    |
| 219   | 35689       | 1   | Choke Rod                          |
| 220   | 35438       | 1   | Control Knob                       |
| 222   | 28820       | 2   | Screw, 10-32 x 1/2"                |
| 223   | 650971      | 2   | Screw, T-30, 5/16-18 x 7/8"        |
| 224   | 33515A      | 1   | * Intake Pipe Gasket               |
| 260   | 37092A      | 1   | Blower Housing                     |
| 262   | 29747B      | 2   | Screw, T-40, 5/16-24 x 21/32"      |
| 264A  | 650738      | 1   | Screw, 1/4-20 x 5/8"               |
| 265   | 37086       | 1   | Cylinder Head Cover                |

| Ref # | Part Number | Qty | Description  |
|-------|-------------|-----|--|
| 266   | 650876      | 2   | Screw, 5/16-18 x 1-9/32"   |
| 269   | 35762       | 2   | * Exhaust Gasket   |
| 270   | 37263       | 1   | Exhaust Manifold   |
| 270A  | 35829A      | 1   | Exhaust Port Liner   |
| 271   | 35293       | 1   | Locking Plate  |
| 275   | 37264       | 1   | Muffler  |
| 276   | 35348       | 1   | Locking Plate  |
| 277   | 650877      | 2   | Screw, 5/16-18 x 4-1/2"  |
| 279   | 650821      | 5   | Screw, 10-32 x 1/2"  |
| 280   | 37265       | 1   | Heat Shield  |
| 280A  | 37106       | 1   | Radiator Heat Shield   |
| 285   | 35985B      | 1   | Starter Cup  |
| 287   | 29752       | 4   | Nut & Lock Washer, 1/4-28  |
| 290   | 30962       | 1   | Fuel Line  |
| 292   | 26460       | 2   | Fuel Line Clamp  |
| 298   | 650665      | 2   | Screw, 1/4-15 x 3/4"   |
| 300   | 37099       | 1   | Fuel Tank (Incl. 292 & 301)  |
| 301   | 36246       | 1   | Fuel Cap   |
| 302   | 37098       | 1   | Fuel Tank Extension  |
| 302A  | 650821      | 3   | Screw, 10-32 x 1/2"  |
| 305   | 35574       | 1   | Oil Fill Tube  |
| 307   | 35499       | 1   | "O" Ring   |
| 308   | 35539       | 1   | Fill Tube Clip   |
| 310   | 35700       | 1   | Dipstick   |
| 323   | 611118      | 1   | Terminal   |
| 328   | 35062       | 2   | Ignition Keys  |
| 329   | 610973      | 1   | Terminal   |
| 335A  | 37087       | 1   | Carburetor Cover   |
| 335   | 37096       | 1   | Carburetor Cover (Front)   |
| 336   | 30063       | 1   | Screw, T-30, 1/4-20 x 1/2"   |
| 338   | 650821      | 4   | Screw, 10-32 x 1/2"  |
| 341   | 37093       | 1   | Fuel Tank Bracket  |
| 342   | 792028      | 2   | Screw, 5/16-18 x 7/8"  |
| 343A  | 651060      | 1   | Screw, 10-32 x 23/64"  |
| 343   | 35079       | 1   | Key Switch Bracket   |
| 345   | 37097       | 1   | Heat Baffle  |
| 345A  | 650821      | 1   | Screw, 10-32 x 1/2"  |
| 350   | 570682A     | 1   | Primer Ass'y   |
| 351   | 32180C      | 1   | Primer Line  |
| 355   | 590574      | 1   | Starter Handle   |
| 361   | 650990      | 2   | Screw, T-30, 1/4-20 15/32"   |
| 369   | 651032      | 2   | Screw, 12-16 x 5/8"  |
| 370J  | 37226       | 1   | Throttle Decal   |
| 370K  | 36695       | 1   | Starter Decal  |
| 370T  | 37433       | 1   | Starter Switch Decal   |
| 370C  | 36501       | 1   | Primer Decal   |
| 370D  | 36534       | 1   | Caution Decal  |
| 370I  | 37119       | 1   | Warning Decal  |
| 380   | 640169      | 1   | Carburetor (Incl. 184)   |
| 390   | 590749      | 1   | Rewind Starter (Note: This engine could have been built with 590733 starter.)  |
| 395   | 37102       | 1   | Electric Starter Motor (220 Volt)  |
| 400   | 37257A      | 1   | *Gasket Set (Incl. items marked PK in notes) Incl. part #'s 27896A (2),33263 (1),33515A (1),35762 (1), 35762 ( 2),35952 (1),36352 (1),36358 (1), 37342 (1) |
| 420   | 730226A     | 1   | SAE 5W30 4-Cycle Engine Oil (Quart)  |



| Ref # | Part Number | Qty | Description                          |
|-------|-------------|-----|--------------------------------------|
| 1     | 37251       | 1   | Cylinder (Incl. 2 & 20)              |
| 2     | 27652       | 2   | Dowel Pin                            |
| 90    | 611093      | 1   | Flywheel (W/Ring Gear)               |
| 314   | 650873      | 1   | Screw, 1/4-20 x 3/4"                 |
| 315   | 611111      | 1   | Alternator Coil (18 Watt)(Incl. 323) |
| 323   | 611118      | 1   | Terminal                             |