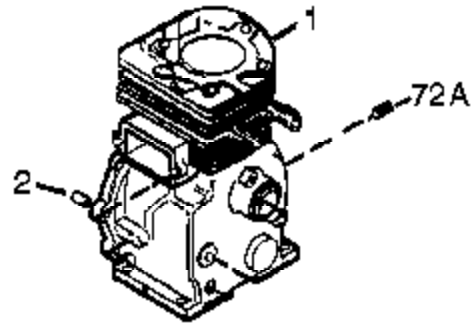
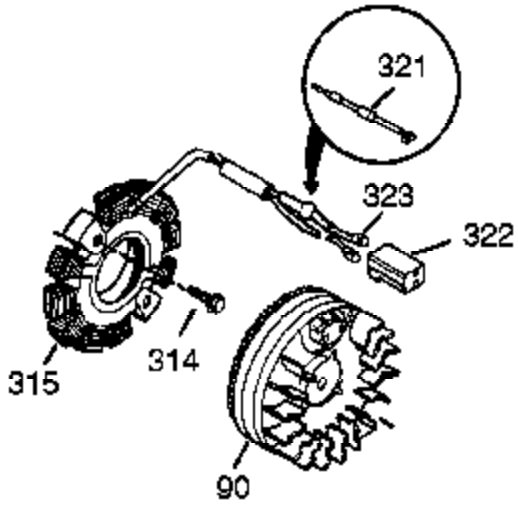


Ref #	Part Number	Qty	Description
1	37251	1	Cylinder (Incl. 2, 20 & 72)
2	27652	2	Dowel Pin
3	650820	2	Screw, 1/4-20 x 1/2"
4	30968	1	Oil Drain Extension
5	30969	1	Extension Cap
14A	651057	1	Washer
14	28277	1	Washer
15A	30700	1	Governor Yoke
15	30699C	1	Governor Rod Ass'y (Incl. 15A & 15B)
15B	650494	1	Screw, 6-40 x 5/16"
16	37255A	1	Governor Lever (Incl. 212A)
17	29916	1	Governor Lever Clamp
18	651028	1	Screw, T-15, 8-32 x 7/16"
19	36281	1	Extension Spring
20	35319	1	Oil Seal
25	37706	1	Blower Housing Baffle
26	650561	2	Screw, 1/4-20 x 19/32"
28	30322	1	Lock Nut, 10-32
30	37437	1	Crankshaft
35	29826	1	Screw, 10-32 x 3/4"
36	29918	1	Lock Washer
37	29216	1	Lock Nut, 10-32
38	29642	1	Retaining Ring
40	40011	1	Piston, Pin & Ring Set (Std.)
40	40012	1	Piston, Pin & Ring Set (.010" OS)
41	40009	1	Piston & Pin Ass'y (Std.) (Incl. 43)
41	40010	1	Piston & Pin Ass'y (.010" OS) (Incl. 43)
42	40013	1	Ring Set (Std.)
42	40014	1	Ring Set (.010" OS)
43	27888	2	Piston Pin Retaining Ring
45	36897	1	Connecting Rod Ass'y (Incl. 47 & 49)
47	651033	2	Connecting Rod Bolt
48	35313	2	Valve Lifter
49	36896	1	Oil Dipper
50	37517	1	Camshaft (MCR)
60	35316A	1	Blower Housing Extension
65	30200	1	Screw, 10-24 x 3/16"
66	30063	1	Screw, Torx T-30, 1/4-20 x 1/2"
69	37342	1	* Cylinder Cover Gasket
70	37273B	1	Cylinder Cover (Incl. 71, 75, 80-84)
71	35377	1	Crankshaft Bushing
72	27642	1	Oil Drain Plug
75	35319	1	Oil Seal
80	37587	1	Governor Shaft
81	651080	1	Washer
82	37588	1	Governor Gear Ass'y. (Incl. 81)
83	30588A	1	Governor Spool
84	29193	1	Retaining Ring
86	650833	7	Screw, 1/4-20 x 1-3/16"
87	650832	1	Screw, 1/4-20 x 1-11/16"
89	32589	1	Flywheel Key
90	611093	1	Flywheel (W/Ring Gear)
92	650880	1	Lock Washer
93	650881	1	Flywheel Nut
100	35135A	1	Solid State Ignition (Incl. 101)
101	610118	1	Spark Plug Cover
102	651024	2	Solid State Mounting Stud
103	651007	2	Screw, T-15, 10-24 x 15/16"

Ref #	Part Number	Qty	Description
110A	37047	1	Ground Wire
110	35187	1	Ground Wire
119	37256	1	* Cylinder Head Gasket
120	37516	1	Cylinder Head (Incl. 151A & 270A)
125	36934	1	Exhaust Valve (Std.)
125	36936	1	Exhaust Valve (1/32" OS)
126	36935	1	Intake Valve (Std.)
127	650691	6	Washer
128	650690	6	Belleville Washer
130	650697A	6	Screw, 5/16-18 x 2-1/2"
135	34645	1	Spark Plug (RN4C)
139	33369	1	Governor Gear Bracket
140	650836	1	Screw, 10-24 x 1/2"
150	33507	2	Valve Spring
151A	35862	1	Intake Valve Seal
151	33508	2	Valve Spring Keeper
153	35949	1	Push Rod Guide
154	650945	2	Rocker Arm Stud
155	35950	2	Rocker Arm
157	650947	2	Jam Nut
158	35466	2	Push Rod
159	35952	1	* Rocker Arm Cover Gasket
160	35953A	1	Rocker Arm Cover
161	30063	4	Screw, T-30, 1/4-20 x 1/2"
163	650890	2	Lock Washer
169	27896A	2	* Valve Cover Gasket
170	28423	1	Breather Body
171	28424	1	Breather Element
172	28425	1	Valve Cover
173	35350	1	Breather Tube
174	650128	2	Screw, 10-24 x 1/2"
174A	651056	1	Screw, 10-24 x 29/32"
180	35954	1	Blower Housing Extension
181	30200	2	Screw, 10-24 x 9/16"
182	650517	2	Screw, T-30, 1/4-20 x 27/32"
183	34583A	1	Choke Bracket
184	33263	1	* Carburetor To Intake Pipe Gasket
185	37085	1	Intake Pipe
186	37261	1	Governor Link
186B	36653	1	Choke Spring
200	35702	1	Control Bracket (Incl. 203 & 204)
203	31342	1	Compression Spring
204	651029	1	Screw, T-10, 5-40 x 7/16"
206	610973	1	Terminal
207	37262	1	Throttle Link
209	650821	2	Screw, 10-32 x 1/2"
212	30773A	1	Bushing
212A	36288	1	Bushing
215	35440	1	Speed Control Knob
217	37260	1	Bellcrank Lever
219	35689	1	Choke Rod
220	35438	1	Choke Control Knob
222	28820	2	Screw, 10-32 x 1/2"
223	650971	2	Screw, T-30, 5/16-18 x 7/8"
224	33515A	1	* Intake Pipe Gasket
260	37092A	1	Blower Housing
261	650738	1	Screw, 1/4-20 x 5/8"
262	651084	2	Screw, 5/16-18 x 9/16"

Ref #	Part Number	Qty	Description
265	37086	1	Cylinder Head Cover
266	650876	2	Screw, 5/16-18 x 1-9/32"
269	35762	2	* Exhaust Gasket
270A	35829A	1	Exhaust Port Liner
270	37263	1	Exhaust Manifold
271	35293	1	Locking Plate
275	37264	1	Muffler
276	35348	1	Locking Plate
277	650877	2	Screw, 5/16-18 x 4-1/2"
279	651011	4	Screw, 10-32 x 5/16"
280	37265	1	Heat Shield
285	35985B	1	Starter Cup
287	29752	4	Nut & Lock Washer, 1/4-28
290	30962	1	Fuel Line
291	29774	1	Fuel Line
292	26460	4	Fuel Line Clamp
295	35857	1	Fuel Shut-Off Valve (Incl. 292)
298	650665	2	Screw, 1/4-15 x 3/4"
300	37099	1	Fuel Tank (Incl. 292 & 301)
301	36754	1	Fuel Cap
302A	650821	3	Screw, 10-32 x 1/2"
302	37098	1	Fuel Tank Extension
305	35574	1	Oil Fill Tube
307	35499	1	"O" Ring
308	35539	1	Fill Tube Clip
310	35700	1	Dipstick
323	611118	1	Terminal
328	35062	2	Ignition Keys
329	610973	1	Terminal
335A	37087	1	Carburetor Cover
335	37096	1	Carburetor Cover (Front)
336	30063	1	Screw, T-30, 1/4-20 x 1/2"
338	650821	4	Screw, 10-32 x 1/2"
341	37093	1	Fuel Tank Bracket
342	792028	2	Screw, 5/16-18 x 7/8"
343	35079A	1	Key Switch Bracket (Incl. 343A)
343A	651060	1	Screw, 10-32 x 23/64"
345	37097	1	Heat Baffle
345A	650821	1	Screw, 10-32 x 1/2"
350	570682A	1	Primer Ass'y
351	32180C	1	Primer Line
355	590574	1	Starter Handle
361	650990	2	Screw, T-30, 1/4-20 x 15/32"
369	651032	2	Screw, 12-16 x 5/8"
370C	36501	1	Primer Decal
370K	36695	1	Starter Decal
370T	36906	1	Starter Switch Decal
370I	37119	1	Warning Decal
370J	37226	1	Throttle Decal
380	640169	1	Carburetor (Incl. 184)
390	590749	1	Rewind Starter (Note: This engine could have been built with 590733 starter.)
395	33329E	1	Electric Starter Motor (120 Volt)
400	37257A	1	*Gasket Set (Incl. items marked PK in notes)
420	730226A	1	SAE 5W30 4-Cycle Engine Oil (Quart)
900	0		Replacement Engine - NONE
900	756345		Replacement S/B - order from 71-999



Ref #	Part Number	Qty	Description
1	37251	1	Cylinder (Incl. 2, 20 & 72)
2	27652	2	Dowel Pin
90	611093	1	Flywheel (W/Ring Gear)
314	650873	1	Screw, 1/4-20 x 3/4"
315	611111	1	Alternator Coil (18 Watt)(Incl. 322 & 323)
322	611117	1	Connector Body
323	611118	1	Terminal
900	0		Replacement Engine - NONE
900	756345		Replacement S/B - order from 71-999