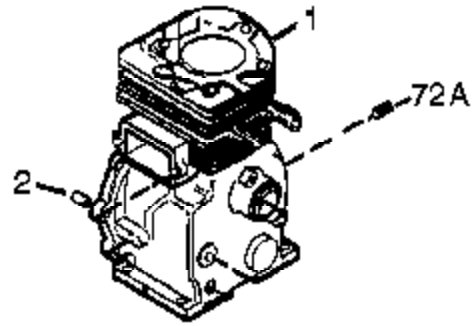
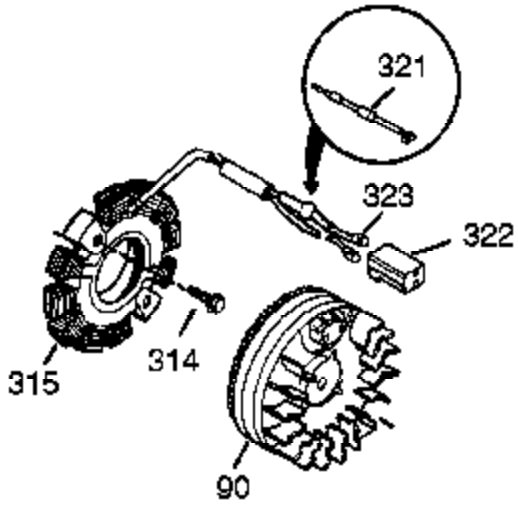


Ref #	Part Number	Qty	Description
	1 37251	1	Cylinder (Incl. 2, 20 & 72)
	2 27652	2	Dowel Pin
	3 650820	2	Screw, 1/4-20 x 1/2"
	14A 651057	1	Washer
	15A 30700	1	Governor Yoke
	15B 650494	1	Screw, 6-40 x 5/16"
	15 30699C	1	Governor Rod Ass'y (Incl. 15A & 15B)
	16 37255	1	Governor Lever (Incl. 212A)
	17 29916	1	Governor Lever Clamp
	18 651028	1	Screw, Torx T-15, 8-32 x 3/8"
	19 36281	1	Extension Spring
	20 35319	1	Oil Seal
	25 36460	1	Blower Housing Baffle
	26 650561	2	Screw, 1/4-20 x 5/8"
	28 30322	1	Lock Nut, 10-32
	30 37272	1	Crankshaft
	35 29826	1	Screw, 10-32 x 3/4"
	36 29918	1	Lock Washer
	37 29216	1	Lock Nut, 10-32
	38 29642	1	Retaining Ring
	40 40011	1	Piston, Pin & Ring Set (Std.)
	40 40012	1	Piston, Pin & Ring Set (.010" OS)
	41 40009	1	Piston & Pin Ass'y (Std.) (Incl. 43)
	41 40010	1	Piston & Pin Ass'y (.010" OS) (Incl. 43)
	42 40013	1	Ring Set (Std.)
	42 40014	1	Ring Set (.010" OS)
	43 27888	2	Piston Pin Retaining Ring
	45 36897	1	Connecting Rod Ass'y (Incl. 47 & 49)
	47 651033	2	Connecting Rod Bolt
	48 35313	2	Valve Lifter
	49 36896	1	Oil Dipper
	50 37517	1	Camshaft (MCR)
	60 35316A	1	Blower Housing Extension
	65 30200	1	Screw, 10-24 x 9/16"
	66 30063	1	Screw, Torx T-30, 1/4-20 x 1/2"
	69 35262A	1	* Cylinder Cover Gasket
	70 37273	1	Cylinder Cover (Incl. 71, 75 & 80)
	71 35377	1	Crankshaft Bushing
	72 27642	2	Oil Drain Plug
	75 35319	1	Oil Seal
	80 31845	1	Governor Shaft
	81 30590A	1	Washer
	82 35378	1	Governor Gear Ass'y
	83 30588A	1	Governor Spool
	84 29193	1	Retaining Ring
	86 650833	7	Screw, 1/4-20 x 1-3/16"
	87 650832	1	Screw, 1/4-20 x 1-11/16"
	89 32589	1	Flywheel Key
	90 611093	1	Flywheel (W/Ring Gear)
	92 650880	1	Lock Washer
	93 650881	1	Flywheel Nut
	100 35135	1	Solid State Ignition
	101 610118	1	Spark Plug Cover
	102 651024	2	Solid State Mounting Stud
	103 651007	2	Screw, Torx T-15, 10-24 x 15/16"
	110 35187	1	Ground Wire
	110A 37047	1	Ground Wire
	119 37256	1	* Cylinder Head Gasket

Ref #	Part Number	Qty	Description
	120 37258	1	Cylinder Head
	125 36934	1	Exhaust Valve (Std.)
	125 36936	1	Exhaust Valve (1/32" OS)
	126 36935	1	Intake Valve (Std.)
	126 36937	1	Intake Valve (1/32" OS)
	127 650691	6	Washer
	128 650690	6	Belleville Washer
130A	650990	1	Screw, Torx T-30, 1/4-20 x 15/32"
130	650697A	6	Screw, 5/16-18 x 2-1/2"
135	34645	1	Spark Plug (RN4C)
139	33369	1	Governor Gear Bracket
140	650836	1	Screw, 10-24 x 1/2"
150	33507	2	Valve Spring
151	33508	2	Valve Spring Keeper
153	35949	1	Push Rod Guide
154	650945	2	Rocker Arm Stud
155	35950	2	Rocker Arm
157	650947	2	Jam Nut
158	35466	2	Push Rod
159	35952	1	* Rocker Arm Cover Gasket
160	35953A	1	Rocker Arm Cover
161	30063	4	Screw, Torx T-30, 1/4-20 x 1/2"
163	650890	2	Lock Washer
169	27896A	2	* Valve Cover Gasket
170	28423	1	Breather Body
171	28424	1	Breather Element
172	28425	1	Valve Cover
173	35350	1	Breather Tube
174	650128	2	Screw, 10-24 x 1/2"
180	35954	1	Blower Housing Extension
181	30200	2	Screw, 10-24 x 9/16"
182	650517	2	Screw, 1/4-20 x 27/32"
183	34583A	1	Choke Bracket
184	33263	1	* Carburetor To Intake Pipe Gasket
185	37085	1	Intake Pipe
186	37261	1	Governor Link
186B	36653	1	Choke Spring
200	35702	1	Control Bracket (Incl.203, 204 & 206)
203	31342	1	Compression Spring
204	651029	1	Screw, Torx T-10, 5-40 x 7/16"
206	610973	1	Terminal
207	37262	1	Throttle Link
209A	651056	1	Screw, 10-24 x 29/32"
209	650821	2	Screw, 10-32 x 1/2"
212A	36288	1	Bushing
212	30773A	1	Bushing
215	35440	1	Control Knob
217	37260	1	Bellcrank Lever
219	35689	1	Choke Rod
220	35438	1	Choke Knob
222	28820	2	Screw, 10-32 x 1/2"
223	650971	2	Screw, Torx T-30, 5/16-18 x 7/8"
224	33515A	1	* Intake Pipe Gasket
260	37092A	1	Blower Housing
262	29747B	2	Screw, Torx T-40, 5/16-24 x 21/32"
264A	650738	1	Screw, 1/4-20 x 5/8"
265	37086	1	Cylinder Head Cover
266	650876	2	Screw, 5/16-18 x 1-9/32"

Ref #	Part Number	Qty	Description
269	35762	2	* Exhaust Gasket
270A	35829A	1	Exhaust Port Liner
270	37263	1	Exhaust Manifold
271	35293	1	Locking Plate
275	37264	1	Muffler
276A	31588	1	Locking Plate
276	35348	1	Locking Plate
277	650877	2	Screw, 5/16-18 x 4-1/2"
279	651011	4	Screw, 10-32 x 5/16"
280	37265	1	Heat Shield
281	33013	1	Starter Bubble Cover
282	650760	1	Screw, 8-32 x 3/8"
285	35985B	1	Starter Cup
287	29752	4	Nut & Lock Washer, 1/4-28
290	30962	1	Fuel Line
291	29774	1	Fuel Line
292	26460	4	Fuel Line Clamp
292	26460	4	Fuel Line Clamp
295	35857	1	Fuel Shut-Off Valve
298	650665	2	Screw, 1/4-15 x 3/4"
300	37099	1	Fuel Tank (Incl. 292 & 301)
301	36246	1	Fuel Cap
302	37098	1	Fuel Tank Extension
302A	650821	3	Screw, 10-32 x 1/2"
305	35574	1	Oil Fill Tube
307	35499	1	"O" Ring
308	35539	1	Fill Tube Clip
310	35700	1	Dipstick
323	611118	1	Terminal
328	35062	2	Ignition Keys
329	610973	1	Terminal
335	37096	1	Carburetor Cover (Front)
335A	37087	1	Carburetor Cover
338	650821	4	Screw, 10-32 x 1/2"
341	37093	1	Fuel Tank Bracket
342	792028	2	Screw, 5/16-18 x 7/8"
345A	650821	1	Screw, 10-32 x 1/2"
345	37097	1	Heat Baffle
350	570682A	1	Primer Ass'y
351	32180C	1	Primer Line
355	590574	1	Starter Handle
370H	37226	1	Choke Decal
370I	37119	1	Warning Decal
370K	36695	1	Starter Decal
370C	36501	1	Primer Decal
380	640169	1	Carburetor (Incl. 184)
390	590749	1	Rewind Starter (Note: This engine could have been built with 590733 starter.)
400	37257	1	*Gasket Set (Incl. items marked PK in notes) Incl. part #'s 27896A (2),33263 (1),33515A (1),35262A (1), 35762 (2),35952 (1),37256 (1)
420	730226	1	SAE 5W30 4-Cycle Engine Oil (Quart)



Ref #	Part Number	Qty	Description
1	37251	1	Cylinder (Incl. 2, 20 & 72)
2	27652	2	Dowel Pin
90	611093	1	Flywheel (W/Ring Gear)
209A	651056	1	Screw, 10-24 x 29/32"
314	650873	1	Screw, 1/4-20 x 3/4"
315	611111	1	Alternator Coil (18 Watt) (Incl. 323)
323	611118	1	Terminal