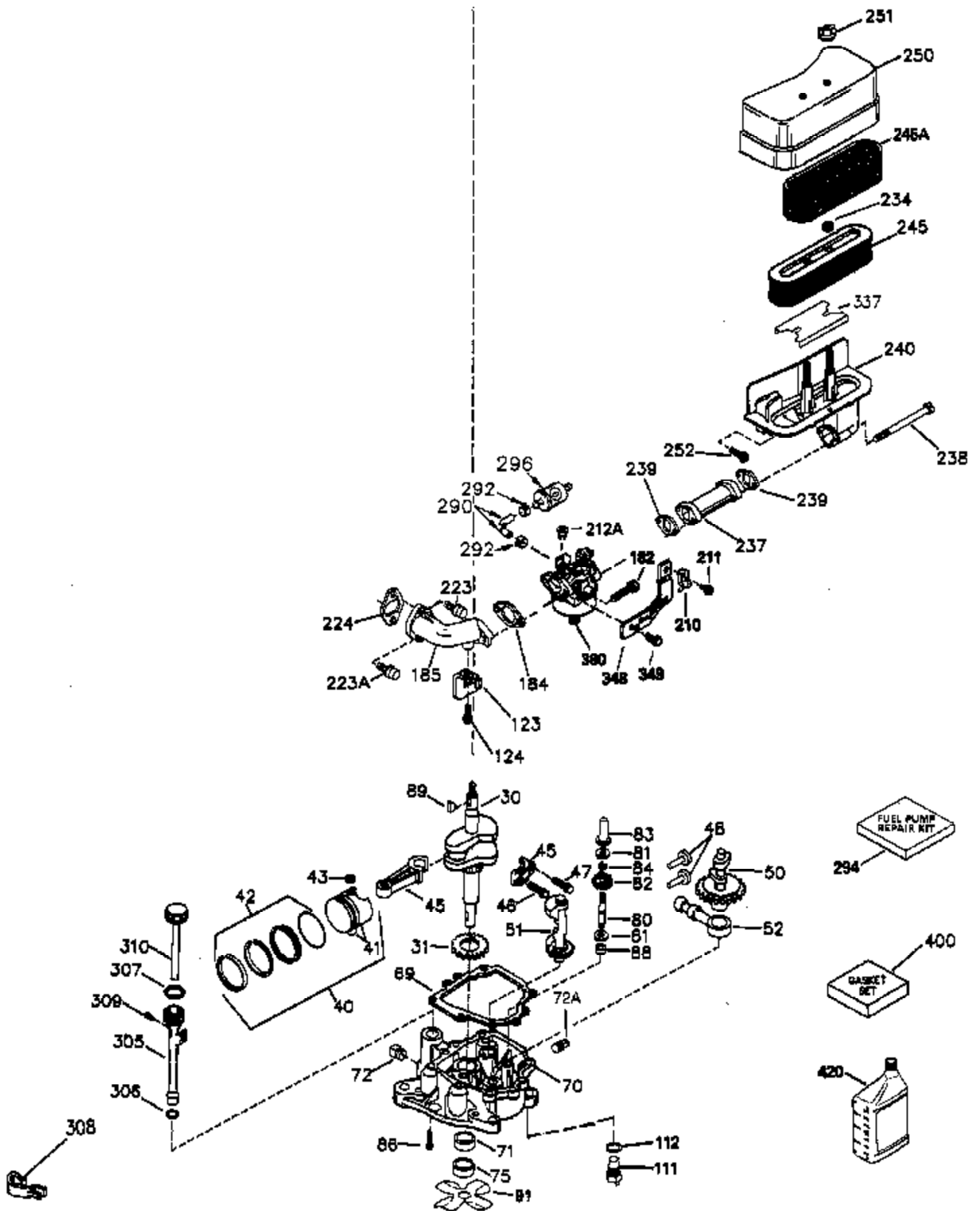




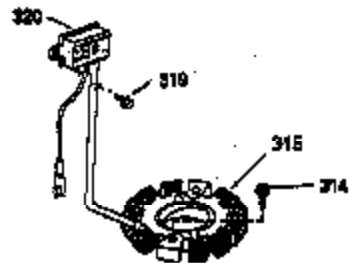
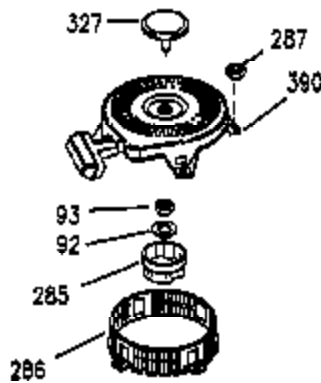
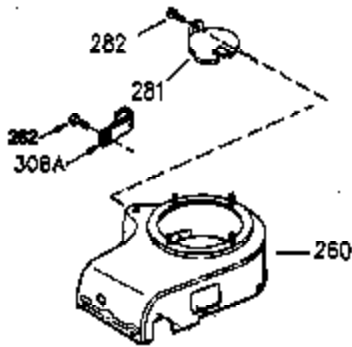
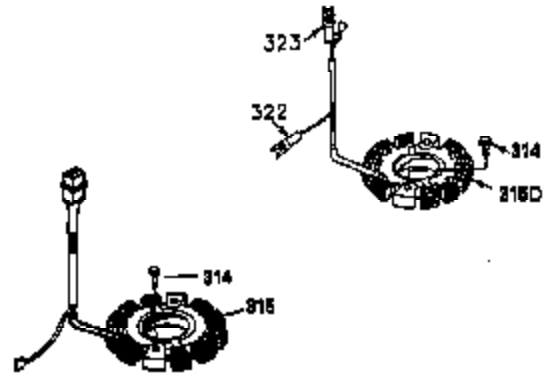
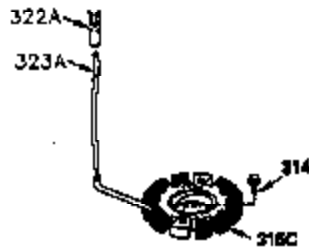
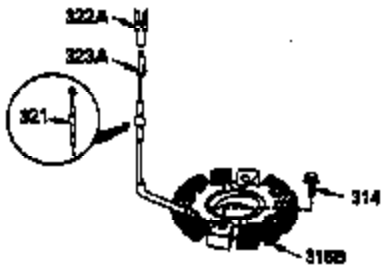
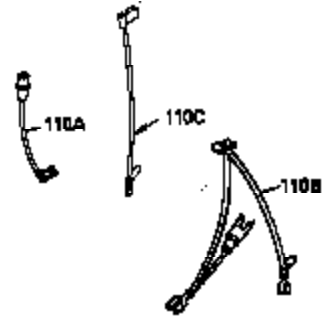
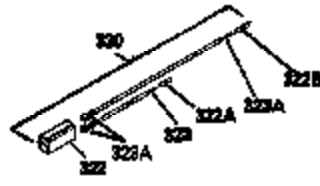
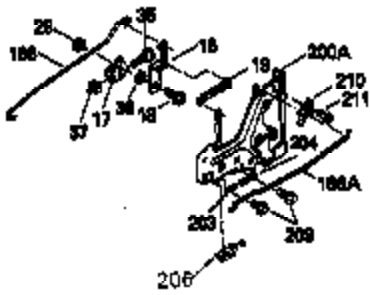
| Ref # | Part Number | Qty | Description                      |
|-------|-------------|-----|----------------------------------|
| 1     | 35943A      | 1   | Cylinder (Incl. 2 & 20)          |
| 2     | 27652       | 2   | Dowel Pin                        |
| 14    | 28277       | 2   | Washer                           |
| 15    | 35324       | 1   | Governor Rod                     |
| 16    | 36284A      | 1   | Governor Lever (Incl. 212A)      |
| 17    | 29916       | 1   | Governor Lever Clamp             |
| 18    | 651028      | 1   | Screw, Torx T-15, 8-32 x 3/8"    |
| 19    | 35945       | 1   | Extension Spring                 |
| 20    | 35319       | 1   | Oil Seal                         |
| 25    | 36460       | 1   | Blower Housing Baffle            |
| 26    | 650561      | 2   | Screw, 1/4-20 x 5/8"             |
| 28    | 30322       | 1   | Lock Nut, 8-32                   |
| 35    | 29826       | 1   | Screw, 10-32 x 3/4"              |
| 36    | 29918       | 1   | Lock Washer                      |
| 37    | 29216       | 1   | Lock Nut, 10-32                  |
| 38    | 29642       | 1   | Retaining Ring                   |
| 60    | 35316A      | 1   | Blower Housing Extension         |
| 62    | 650760      | 1   | Screw, 8-32 x 3/8"               |
| 63    | 28545       | 1   | Grommet                          |
| 65    | 650128      | 1   | Screw, 10-24 x 1/2"              |
| 68    | 33356       | 1   | Ground Terminal                  |
| 90    | 611094      | 1   | Flywheel (W/Ring Gear)           |
| 92    | 650880      | 1   | Lock Washer                      |
| 93    | 650881      | 1   | Flywheel Nut                     |
| 100   | 35135       | 1   | Solid State Ignition             |
| 101   | 610118      | 1   | Spark Plug Cover                 |
| 102   | 651024      | 2   | Solid State Mounting Stud        |
| 103   | 651007      | 2   | Screw, Torx T-15, 10-24 x 15/16" |
| 110   | 35183       | 1   | Ground Wire                      |
| 119   | 35946       | 1   | * Cylinder Head Gasket           |
| 120   | 35948       | 1   | Cylinder Head                    |
| 125   | 35308       | 1   | Exhaust Valve (Std.)             |
| 125   | 35433       | 1   | Exhaust Valve (1/32" OS)         |
| 126   | 35309       | 1   | Intake Valve (Std.)              |
| 126   | 35432       | 1   | Intake Valve (1/32" OS)          |
| 127   | 650691      | 6   | Washer                           |
| 128   | 650690      | 6   | Belleville Washer                |
| 130   | 650946      | 6   | Screw, 5/16-18 x 2-45/64"        |
| 135   | 34645       | 1   | Resistor Spark Plug (RN4C)       |
| 150   | 33507       | 2   | Valve Spring                     |
| 151   | 33508       | 2   | Valve Spring Keeper              |
| 153   | 35949       | 1   | Push Rod Guide                   |
| 154   | 650945      | 1   | Rocker Arm Stud                  |
| 155   | 35950       | 1   | Rocker Arm                       |
| 156   | 650890      | 2   | Lock Washer                      |
| 157   | 650947      | 1   | Lock Nut, 5/16-24                |
| 158   | 35951       | 2   | Push Rod                         |
| 159   | 35952       | 1   | * Rocker Arm Cover Gasket        |
| 160   | 35953A      | 1   | Rocker Arm Cover                 |
| 161   | 30063       | 4   | Screw, Torx T-30, 1/4-20 x 1/2"  |
| 169   | 27896A      | 2   | * Breather Gasket                |
| 170   | 28423       | 1   | Breather Body                    |
| 171   | 28424       | 1   | Breather Element                 |
| 172   | 28425       | 1   | Valve Cover                      |
| 173   | 35350       | 1   | Breather Tube                    |
| 174   | 650128      | 2   | Screw, 10-24 x 1/2"              |
| 180   | 35954       | 1   | Blower Housing Extension         |
| 181   | 30200       | 2   | Screw, 10-24 x 9/16"             |

| Ref # | Part Number | Qty | Description                        |
|-------|-------------|-----|------------------------------------|
| 186   | 36285       | 1   | Governor Link                      |
| 200   | 36233       | 1   | Control Bracket (Incl. 203 & 204)  |
| 203   | 36482       | 1   | Compression Spring                 |
| 204   | 650777      | 1   | Screw, 6-32 x 21/32"               |
| 209   | 650902      | 2   | Screw, 10-32 x 7/16"               |
| 210   | 27793       | 2   | Conduit Clip                       |
| 211   | 28942       | 2   | Screw, 10-32 x 3/8"                |
| 212A  | 36288       | 2   | Bushing                            |
| 260   | 35964       | 1   | Blower Housing                     |
| 261   | 30063       | 2   | Screw, Torx T-30, 1/4-20 x 1/2"    |
| 262   | 29747B      | 2   | Screw, Torx T-40, 5/16-24 x 21/32" |
| 263   | 35963       | 1   | Trim Ring                          |
| 264A  | 30063       | 1   | Screw, Torx T-30, 1/4-20 x 1/2"    |
| 264   | 650273      | 2   | Screw, 5/16-18 x 5/8"              |
| 265   | 35959       | 1   | Cylinder Head Cover                |
| 266   | 650876      | 2   | Screw, 5/16-18 x 1-1/4"            |
| 269   | 35762       | 1   | * Exhaust Manifold Gasket          |
| 270   | 36235       | 1   | Exhaust Manifold                   |
| 270A  | 35829A      | 1   | Exhaust Port Liner                 |
| 271   | 35293       | 1   | Locking Plate                      |
| 290   | 29774       | 1   | Fuel Line                          |
| 292   | 26460       | 2   | Fuel Line Clamp                    |
| 296   | 34279B      | 1   | Fuel Filter (Incl. 292)            |
| 314   | 650873      | 2   | Screw, 1/4-20 x 3/4"               |
| 321   | 611161      | 1   | Diode                              |
| 322   | 611142      | 1   | Connector Body                     |
| 323   | 611118      | 2   | Terminal                           |
| 325   | 34246       | 1   | Wire Clip                          |
| 326   | 36210       | 1   | Blower Housing Plug                |
| 347   | 650949      | 3   | Screw, 10-32 x 9/16"               |
| 361   | 650990      | 4   | Screw, Torx T-30, 5/16-18 x 15/32" |
| 363   | 34148       | 1   | Spring                             |
| 370   | 36261       | 1   | Identification Decal               |
| 370B  | 35274       | 1   | Instruction Decal                  |
| 394   | 650948      | 1   | Washer                             |
| 395   | 36680       | 1   | Electric Starter Motor (12 Volt)   |



| Ref # | Part Number | Qty | Description                               |
|-------|-------------|-----|---|
| 30    | 35336B      | 1   | Crankshaft                                |
| 31    | 35327       | 1   | Counterbalance Gear                       |
| 40    | 35776       | 1   | Piston, Pin & Ring Set (Std.)             |
| 40    | 35777       | 1   | Piston, Pin & Ring Set (.010" OS)         |
| 40    | 35778       | 1   | Piston, Pin & Ring Set (.020" OS)         |
| 41    | 35773       | 1   | Piston & Pin Ass'y. (Std.) (Incl. 43)     |
| 41    | 35774       | 1   | Piston & Pin Ass'y. (.010" OS) (Incl. 43) |
| 41    | 35775       | 1   | Piston & Pin Ass'y. (.020" OS) (Incl. 43) |
| 42    | 35779       | 1   | Ring Set (Std.)                           |
| 42    | 35780       | 1   | Ring Set (.010" OS)                       |
| 42    | 35781       | 1   | Ring Set (.020" OS)                       |
| 43    | 35772       | 2   | Piston Pin Retaining Ring                 |
| 45    | 36895       | 1   | Connecting Rod Ass'y. (Incl. 47)          |
| 47    | 651033      | 2   | Connecting Rod Bolt                       |
| 48    | 35313       | 2   | Valve Lifter                              |
| 50    | 35939       | 1   | Camshaft (MCR)                            |
| 51    | 35315A      | 1   | Counterbalance Weight                     |
| 52    | 31356       | 1   | Oil Pump Ass'y.                           |
| 69    | 35317       | 1   | * Mounting Flange Gasket                  |
| 70    | 35711A      | 1   | Mounting Flange (Incl. 72, 75 & 80)       |
| 72    | 31927       | 1   | Oil Drain Plug                            |
| 72A   | 28534       | 1   | Oil Drain Plug                            |
| 75    | 35319       | 1   | Oil Seal                                  |
| 80    | 35712       | 1   | Governor Shaft                            |
| 81    | 35479       | 2   | Washer                                    |
| 82    | 35321       | 1   | Governor Gear Ass'y.                      |
| 83    | 35322       | 1   | Governor Spool                            |
| 84    | 29193       | 1   | Retaining Ring                            |
| 86    | 650833      | 7   | Screw, 1/4-20 x 1-3/16"                   |
| 88    | 31707A      | 1   | Spacer                                    |
| 89    | 32589       | 1   | Flywheel Key                              |
| 123   | 35288       | 1   | Intake Pipe Brace                         |
| 124   | 650738      | 2   | Screw, 1/4-20 x 5/8"                      |
| 182   | 650517      | 2   | Screw, 1/4-20 x 27/32"                    |
| 184   | 33263       | 1   | * Carburetor To Intake Pipe Gasket        |
| 185   | 35955       | 1   | Intake Pipe                               |
| 210   | 27793       | 2   | Conduit Clip                              |
| 211   | 28942       | 2   | Screw, 10-32 x 3/8"                       |
| 212A  | 36288       | 2   | Bushing                                   |
| 223   | 650971      | 2   | Screw, Torx T-30, 5/16-18 x 7/8"          |
| 224   | 35958       | 1   | * Intake Pipe Gasket                      |
| 234   | 650825      | 2   | Nut & Lock Washer, 1/4-20                 |
| 237   | 35286       | 1   | Air Cleaner Adapter                       |
| 238   | 650875      | 2   | Screw, 10-32 x 5-1/4"                     |
| 239   | 33629       | 2   | * Air Cleaner Gasket                      |
| 240   | 35960       | 1   | Air Cleaner Body (Incl. 239)              |
| 245   | 35403       | 1   | Air Cleaner Filter (Incl. 234)            |
| 245A  | 35404       | 1   | Air Cleaner Filter                        |
| 250   | 35961       | 1   | Air Cleaner Cover                         |
| 251   | 650886      | 2   | Wing Nut, 1/4-20                          |
| 290   | 29774       | 1   | Fuel Line                                 |
| 292   | 26460       | 2   | Fuel Line Clamp                           |
| 296   | 34279B      | 1   | Fuel Filter (Incl. 292)                   |
| 305   | 35574       | 1   | Oil Fill Tube                             |
| 307   | 35499       | 1   | "O" Ring                                  |
| 308   | 33997       | 1   | Oil Fill Tube Clip                        |
| 310   | 35576       | 1   | Dipstick                                  |
| 337   | 36407       | 1   | Deflector                                 |

| Ref # | Part Number | Qty | Description   |
|-------|-------------|-----|---|
| 348   | 35426       | 1   | Choke Bracket   |
| 349   | 650767      | 2   | Screw, 8-32 x 27/64"  |
| 370B  | 35274       | 1   | Instruction Decal   |
| 380   | 632680      | 1   | Carburetor (Incl. 184)  |
| 400   | 35947       | 1   | * Gasket Set (Incl. items marked PK i n notes) Incl. part #'s<br>27896 (2), 33263 (1), 33629 (2), 34265 (1), 35317 (1), 35762<br>(2), 35946 (1), 35352 (1), 35958 (1) |
| 420   | 730225      | 1   | SAE 30 4-Cycle Engine Oil (Quart)   |



| Ref # | Part Number | Qty | Description                                    |
|-------|-------------|-----|--|
| 92    | 650880      | 1   | Lock Washer                                    |
| 93    | 650881      | 1   | Flywheel Nut                                   |
| 260   | 35964       | 1   | Blower Housing                                 |
| 262   | 29747B      | 2   | Screw, Torx T-40, 5/16-24 x 21/32"             |
| 286   | 35962       | 1   | Cup & Screen                                   |
| 308A  | 35437       | 1   | Fill Tube Clip                                 |
| 314   | 650873      | 2   | Screw, 1/4-20 x 3/4"                           |
| 315   | 611104      | 1   | Alternator Coil (3/5 Split)(Incl.321, 322,323) |
| 321   | 611161      | 1   | Diode  |
| 322   | 611142      | 1   | Connector Body                                 |
| 323   | 611118      | 2   | Terminal                                       |
| 370B  | 35274       | 1   | Instruction Decal                              |