

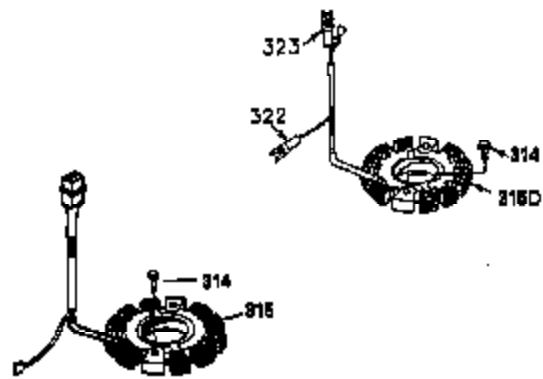
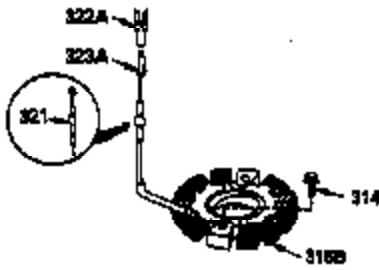
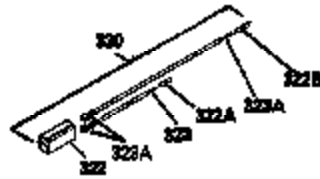
| Ref # | Part Number | Qty | Description |
|-------|-------------|-----|----------------------------------|
| 1 | 35943A | 1 | Cylinder (Incl. 2, 20 & 72A) |
| 2 | 27652 | 2 | Dowel Pin |
| 14 | 28277 | 2 | Washer |
| 15 | 35324 | 1 | Governor Rod |
| 16 | 36284A | 1 | Governor Lever (Incl. 212A) |
| 17 | 29916 | 1 | Governor Lever Clamp |
| 18 | 651028 | 1 | Screw, T-15, 8-32 x 3/8" |
| 19 | 35945 | 1 | Extension Spring |
| 20 | 35319 | 1 | Oil Seal |
| 25 | 36460 | 1 | Blower Housing Baffle |
| 26 | 650561 | 2 | Screw, 1/4-20 x 19/32" |
| 28 | 30322 | 1 | Lock Nut, 8-32 |
| 35 | 29826 | 1 | Screw, 10-32 3/4" |
| 36 | 29918 | 1 | Lock Washer |
| 37 | 29216 | 1 | Lock Nut, 10-32 |
| 38 | 29642 | 1 | Retaining Ring |
| 60 | 35316A | 1 | Blower Housing Extension |
| 62 | 650760 | 1 | Screw, 8-32 x 3/8" |
| 63 | 28545 | 1 | Grommet |
| 65 | 650128 | 1 | Screw, 10-24 x 1/2" |
| 66 | 30063 | 1 | Screw, T-30, 1/4-20 x 1/2" |
| 68 | 33356 | 1 | Ground Terminal |
| 90 | 611093 | 1 | Flywheel (w/Ring Gear) |
| 92 | 650880 | 1 | Belleville Washer |
| 93 | 650881 | 1 | Flywheel Nut |
| 100 | 35135A | 1 | Solid State Ignition (Incl. 101) |
| 101 | 610118 | 1 | Spark Plug Cover |
| 102 | 651024 | 2 | Solid State Mounting Stud |
| 103 | 651007 | 2 | Screw, T-15, 10-24 x 15/16" |
| 110 | 35183 | 1 | Ground Wire |
| 119 | 35946 | 1 | * Cylinder Head Gasket |
| 120 | 35948 | 1 | Cylinder Head (Incl. 270A) |
| 125 | 35433 | 1 | Exhaust Valve (1/32" OS) |
| 125 | 35308 | 1 | Exhaust Valve (Std.) |
| 126 | 35309 | 1 | Intake Valve (Std.) |
| 126 | 35432 | 1 | Intake Valve (1/32" OS) |
| 127 | 650691 | 6 | Washer |
| 128 | 650690 | 6 | Belleville Washer |
| 130 | 650946 | 6 | Screw, 5/16-18 x 2-45/64" |
| 135 | 34645 | 1 | Resistor Spark Plug (RN4C) |
| 150 | 33507 | 2 | Valve Spring |
| 151 | 33508 | 2 | Valve Spring Keeper |
| 153 | 35949 | 1 | Push Rod Guide |
| 154 | 650945 | 1 | Rocker Arm Stud |
| 155 | 35950 | 1 | Rocker Arm |
| 156 | 650890 | 2 | Lock Washer |
| 157 | 650947 | 1 | Lock Nut, 5/16-24 |
| 158 | 35951 | 2 | Push Rod |
| 159 | 35952 | 1 | * Rocker Arm Cover Gasket |
| 160 | 35953A | 1 | Rocker Arm Cover |
| 161 | 30063 | 4 | Screw, T-30, 1/4-20 x 1/2" |
| 169 | 27896A | 2 | * Breather Gasket |
| 170 | 28423 | 1 | Breather Body |
| 171 | 28424 | 1 | Breather Element |
| 172 | 28425 | 1 | Valve Cover |
| 173 | 35350 | 1 | Breather Tube |
| 174 | 650128 | 2 | Screw, 10-24 x 1/2" |
| 180 | 37101 | 1 | Blower Housing Extension |

| Ref # | Part Number | Qty | Description |
|-------|-------------|-----|-----------------------------------|
| | 181 30200 | 2 | Screw, 10-24 x 9/16" |
| | 186 36285 | 1 | Governor Link |
| | 186A 35957 | 1 | Choke Link |
| | 200 35956 | 1 | Control Bracket (Incl. 203 & 204) |
| | 203 36482 | 1 | Compression Spring |
| | 204 651019 | 1 | Screw, T-10, 6-32 x 41/64" |
| | 209 650902 | 2 | Screw, 10-32 x 7/16" |
| | 210 27793 | 1 | Conduit Clip |
| | 211 28942 | 1 | Screw, 10-32 x 3/8" |
| | 212A 36288 | 2 | Bushing |
| | 260 35964 | 1 | Blower Housing |
| | 261 30063 | 2 | Screw, T-30, 1/4-20 x 1/2" |
| | 262 29747B | 2 | Screw, T-40, 5/16-24 x 21/32" |
| | 263 35963 | 1 | Trim Ring |
| | 264 650273 | 2 | Screw, 5/16-18 x 17/32" |
| | 264A 30063 | 1 | Screw, T-30, 1/4-20 x 1/2" |
| | 265 35959 | 1 | Cylinder Head Cover |
| | 266 650876 | 2 | Screw, 5/16-18 x 1-9/32" |
| | 269 35762 | 2 | * Exhaust Manifold Gasket |
| | 270 35870 | 1 | Exhaust Manifold |
| | 270A 35829A | 1 | Exhaust Port Liner |
| | 270A 35829A | 1 | Exhaust Port Liner |
| | 271 35293 | 1 | Locking Plate |
| | 275 36542 | 1 | Muffler |
| | 276 35348 | 1 | Locking Plate |
| | 277 650877 | 2 | Screw, 5/16-18 x 4-1/2" |
| | 290 30705 | 1 | Fuel Line |
| | 292 26460 | 2 | Fuel Line Clamp |
| | 296 34279B | 1 | Fuel Filter (Incl. 292) |
| | 314 650873 | 2 | Screw, 1/4-20 x 3/4" |
| | 321 611161 | 1 | Diode |
| | 322 611117 | 1 | Connector Body |
| | 323 611118 | 1 | Terminal |
| | 325 34246 | 1 | Wire Clip |
| | 326 36210 | 1 | Blower Housing Plug |
| | 347 650949 | 3 | Screw, 10-32 x 9/16" |
| | 363 34148 | 1 | Spring |
| | 370G 35274 | 1 | Oil Instruction Decal |
| | 394 650948 | 1 | Washer |
| | 396 36680 | 1 | Electric Starter Motor (Optional) |



| Ref # | Part Number | Qty | Description |
|-------|-------------|-----|---|
| 30 | 35336B | 1 | Crankshaft |
| 31 | 35327 | 1 | Counterbalance Gear |
| 40 | 35776A | 1 | Piston, Pin & Ring Set (Std.) |
| 40 | 35777A | 1 | Piston, Pin & Ring Set (.010" OS) |
| 40 | 35778A | 1 | Piston, Pin & Ring Set (.020" OS) |
| 41 | 35773A | 1 | Piston & Pin Ass'y. (Std.) (Incl. 43) |
| 41 | 35774A | 1 | Piston & Pin Ass'y. (.010" OS) (Incl. 43) |
| 41 | 35775A | 1 | Piston & Pin Ass'y. (.020" OS) (Incl. 43) |
| 42 | 35779 | 1 | Ring Set (Std.) |
| 42 | 35780 | 1 | Ring Set (.010" OS) |
| 42 | 35781 | 1 | Ring Set (.020" OS) |
| 43 | 35772 | 2 | Piston Pin Retaining Ring |
| 45 | 36925 | 1 | Connecting Rod Ass'y. (Incl. 47) |
| 47 | 651033 | 2 | Connecting Rod Bolt |
| 48 | 35313 | 2 | Valve Lifter |
| 50 | 35939 | 1 | Camshaft (MCR) |
| 51 | 35315A | 1 | Counterbalance Weight |
| 52 | 31356 | 1 | Oil Pump Ass'y. |
| 69 | 35317 | 1 | * Mounting Flange Gasket |
| 70 | 35711A | 1 | Mounting Flange (Incl. 72, 75 & 80) |
| 72A | 28534 | 1 | Oil Drain Plug |
| 72 | 31927 | 1 | Oil Drain Plug |
| 75 | 35319 | 1 | Oil Seal |
| 80 | 35712 | 1 | Governor Shaft |
| 81 | 35479A | 2 | Washer |
| 82 | 35321 | 1 | Governor Gear Ass'y. |
| 83 | 35322 | 1 | Governor Spool |
| 84 | 29193 | 1 | Retaining Ring |
| 86 | 650833 | 7 | Screw, 1/4-20 x 1-3/16" |
| 88 | 31707A | 1 | Spacer |
| 89 | 32589 | 1 | Flywheel Key |
| 123 | 35288 | 1 | Intake Pipe Brace |
| 124 | 651031 | 2 | Screw, 1/4-20 x 9/16" |
| 182 | 650517 | 2 | Screw, T-30, 1/4-20 x 27/32" |
| 184 | 33263 | 1 | * Carburetor To Intake Pipe Gasket |
| 185 | 35955 | 1 | Intake Pipe |
| 210 | 27793 | 1 | Conduit Clip |
| 211 | 28942 | 1 | Screw, 10-32 x 3/8" |
| 212A | 36288 | 2 | Bushing |
| 223 | 650971 | 2 | Screw, T-30, 5/16-18 x 7/8" |
| 224 | 35958 | 1 | * Intake Pipe Gasket |
| 234 | 650825 | 2 | Nut & Lock Washer, 1/4-20 |
| 237 | 35286 | 1 | Air Cleaner Adapter |
| 238 | 650875 | 2 | Screw, 10-32 x 5-1/4" |
| 239 | 33629 | 2 | * Air Cleaner Gasket |
| 240 | 35960 | 1 | Air Cleaner Body (Incl. 239) |
| 245 | 35403 | 1 | Air Cleaner Filter (Incl. 234) |
| 245A | 35404 | 1 | Air Cleaner Filter |
| 250 | 35961 | 1 | Air Cleaner Cover |
| 251 | 650886 | 2 | Wing Nut, 1/4-20 |
| 290 | 30705 | 1 | Fuel Line |
| 292 | 26460 | 2 | Fuel Line Clamp |
| 296 | 34279B | 1 | Fuel Filter (Incl. 292) |
| 305 | 35574 | 1 | Oil Fill Tube |
| 307 | 35499 | 1 | "O" Ring |
| 308 | 33997 | 1 | Fill Tube Clip |
| 310 | 35576 | 1 | Dipstick |
| 337 | 36407 | 1 | Deflector |

| Ref # | Part Number | Qty | Description |
|-------|-------------|-----|--|
| 380 | 640164 | 1 | Carburetor (Incl. 184) |
| 396 | 36680 | 1 | Electric Starter Motor (Optional) |
| 400 | 35947 | 1 | * Gasket Set (Incl. items marked PK i n notes) Incl. part #'s 27896A (2), 33263 (1), 33629 (2), 35317 (1), 35762 (2), 35946 (1), 35958 (1), 36832 (1), 35952 (1) |
| 420 | 730225A | 1 | SAE 30 4-Cycle Engine Oil (Quart) |



| Ref # | Part Number | Qty | Description |
|-------|-------------|-----|---|
| 92 | 650880 | 1 | Belleville Washer |
| 93 | 650881 | 1 | Flywheel Nut |
| 260 | 35964 | 1 | Blower Housing |
| 262 | 29747B | 2 | Screw, T-40, 5/16-24 x 21/32" |
| 286 | 35962 | 1 | Cup & Screen |
| 308A | 35437 | 1 | Fill Tube Clip |
| 314 | 650873 | 2 | Screw, 1/4-20 x 3/4" |
| 315 | 611116 | 1 | Alternator Coil (3 Amp) (Incl. 321 - 323) |
| 321 | 611161 | 1 | Diode |
| 322 | 611117 | 1 | Connector Body |
| 323 | 611118 | 1 | Terminal |
| 396 | 36680 | 1 | Electric Starter Motor (Optional) |