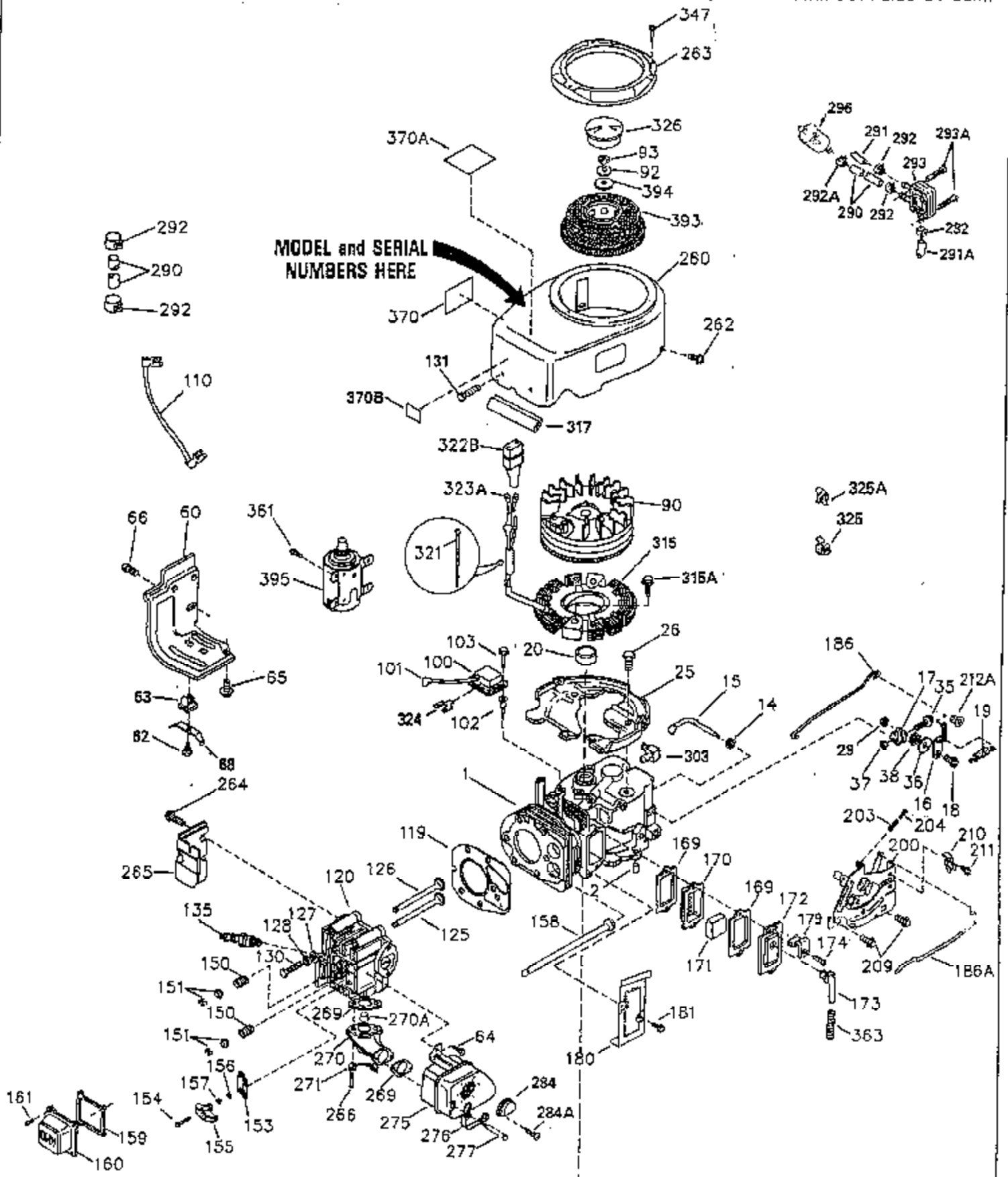


ILLUSTRATION SHOWS TYPICAL PARTS ONLY. ORDER BY PART NUMBER. PARTS NOT LISTED ARE SUPPLIED BY OEM.



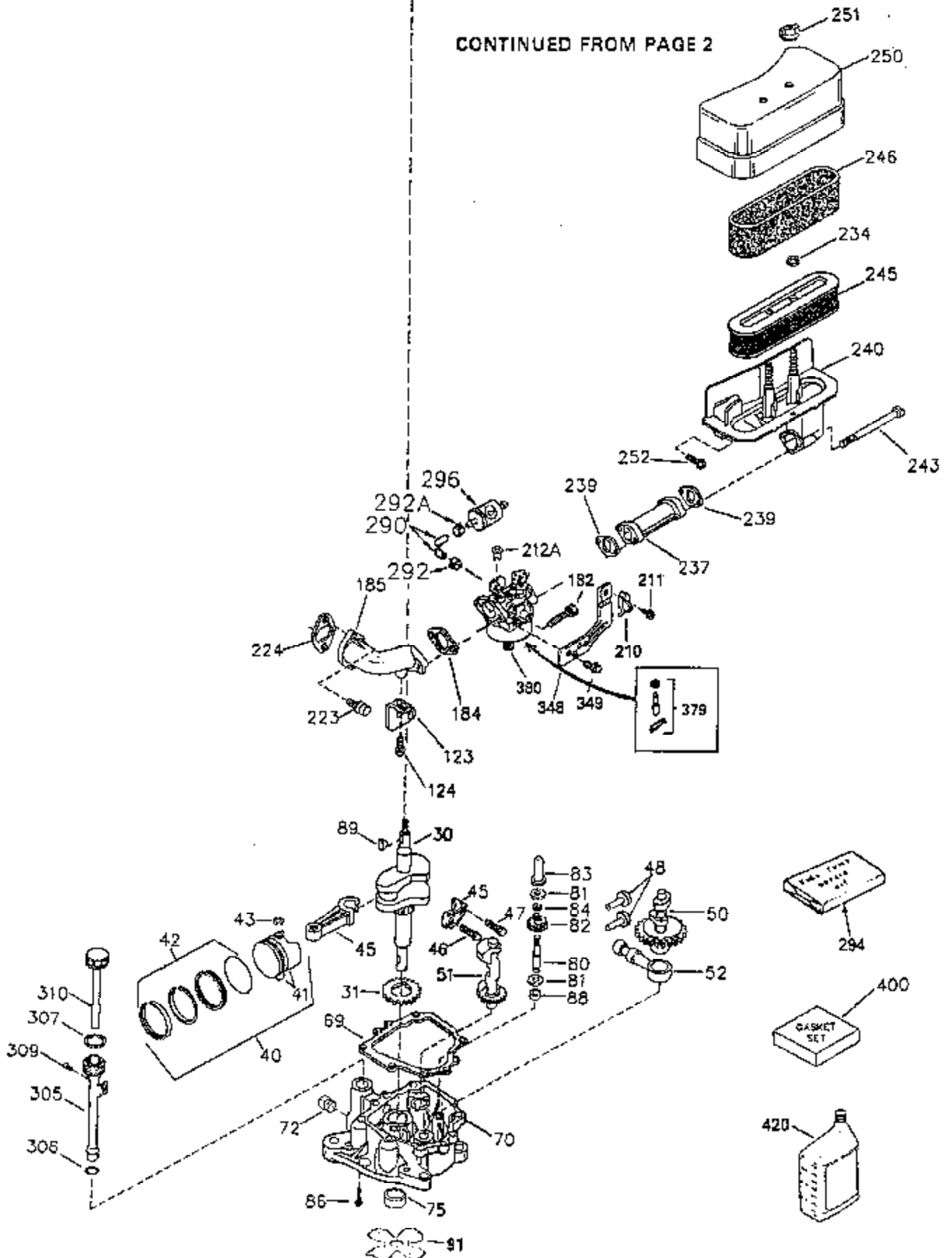
CONTINUED TO PAGE 3

Ref #	Part Number	Qty	Description
1	35943A	1	Cylinder (Incl. 2 & 20)
2	27652	2	Dowel Pin
14	28277	2	Washer
15	35324	1	Governor Rod
16	36284	1	Governor Lever (Incl. 212A)
17	29916	1	Governor Lever Clamp
18	650548	1	Screw, 8-32 x 5/16"
19	35945	1	Extension Spring
20	35319	1	Oil Seal
25	36460	1	Blower Housing Baffle
26	650561	2	Screw, 1/4-20 x 5/8"
28	30322	1	Lock Nut, 8-32
35	29826	1	Screw, 10-32 x 3/4"
36	29918	1	Lock Washer
37	29216	1	Lock Nut, 10-32
38	29642	1	Retaining Ring
60	35316A	1	Blower Housing Extension
62	650760	1	Screw, 8-32 x 3/8"
63	28545	1	Grommet
65	650128	1	Screw, 10-24 x 1/2"
66	650990	1	Screw, Torx T-30, 1/4-20 x 15/32"
68	33356	1	Ground Terminal
90	611094	1	Flywheel (W/Ring Gear)
92	650880	1	Lock Washer
93	650881	1	Flywheel Nut
100	35135	1	Solid State Ignition
101	610118	1	Spark Plug Cover
102	650872	2	Solid State Mounting Stud
103	650814	2	Screw, Torx T-15, 10-24 x 1"
110	35183	1	Ground Wire
119	35946	1	* Cylinder Head Gasket
120	35948	1	Cylinder Head
125	35308	1	Exhaust Valve (Std.)
125	35433	1	Exhaust Valve (1/32" OS)
126	35309	1	Intake Valve (Std.)
126	35432	1	Intake Valve (1/32" OS)
127	650691	6	Washer
128	650690	6	Belleville Washer
130	650946	6	Screw, 5/16-18 x 2-45/64"
135	34645	1	Resistor Spark Plug (RN4C)
150	33507	2	Valve Spring
151	33508	2	Valve Spring Keeper
153	35949	1	Push Rod Guide
154	650945	1	Rocker Arm Stud
155	35950	1	Rocker Arm
156	650890	2	Lock Washer
157	650947	1	Lock Nut, 5/16-24
158	35951	2	Push Rod
159	35952	1	* Rocker Arm Cover Gasket
160	35953A	1	Rocker Arm Cover
161	30063	4	Screw, Torx T-30, 1/4-20 x 1/2"
169	27896A	2	* Breather Gasket
170	28423	1	Breather Body
171	28424	1	Breather Element
172	28425	1	Valve Cover
173	35350	1	Breather Tube
174	650128	2	Screw, 10-24 x 1/2"
180	35954	1	Blower Housing Extension

Ref #	Part Number	Qty	Description
181	30200	2	Screw, 10-24 x 9/16"
186	36285	1	Governor Link
186A	35957	1	Choke Link
200	35956	1	Control Bracket (Incl. 203 & 204)
203	36482	1	Compression Spring
209	650902	2	Screw, 10-32 x 7/16"
210	27793	1	Conduit Clip
211	28942	1	Screw, 10-32 x 3/8"
212A	36288	2	Bushing
238	650875	2	Screw, 10-32 x 5-1/4"
245A	35404	1	Air Cleaner Filter
260	36252	1	Blower Housing
261	30063	2	Screw, Torx T-30, 1/4-20 x 1/2"
262	29747B	2	Screw, Torx T-40, 5/16-24 x 21/32"
264A	30063	1	Screw, Torx T-30, 1/4-20 x 1/2"
264	650273	2	Screw, 5/16-18 x 5/8"
265	35959	1	Cylinder Head Cover
266	650876	2	Screw, 5/16-18 x 1-1/4"
269	35762	2	* Exhaust Manifold Gasket
270	35870	1	Exhaust Manifold
270A	35829A	1	Exhaust Port Liner
271	35293	1	Locking Plate
275	36542	1	Muffler
276	35348	1	Locking Plate
277	650877	2	Screw, 5/16-18 x 4-1/2"
284	35428	1	Exhaust Deflector
284A	650760	4	Screw, 8-32 x 3/8"
290	30705	1	Fuel Line
292	26460	2	Fuel Line Clamp
298	28763	2	Screw, 10-32 x 35/64"
300	33583B	1	Fuel Tank (Incl. 292, 298 & 301)
301	35355	1	Fuel Cap
308	33997	1	Fill Tube Clip
308A	35437	1	Fill Tube Clip
315	611104	1	Alternator Coil (3/5 Split)(Incl.321, 322,323)
321	611161	1	Diode
325	34246	1	Wire Clip
337	36407	1	Deflector
361	650990	4	Screw, Torx T-30, 1/4-20 x 15/32"
363	34148	1	Spring
370	36261	1	Instruction Decal
370B	35274	1	Instruction Decal
395	35763A	1	Electric Starter Motor (12 Volt)

ILLUSTRATION SHOWS TYPICAL PARTS ONLY. ORDER BY PART NUMBER. PARTS NOT LISTED ARE SUPPLIED BY OEM.

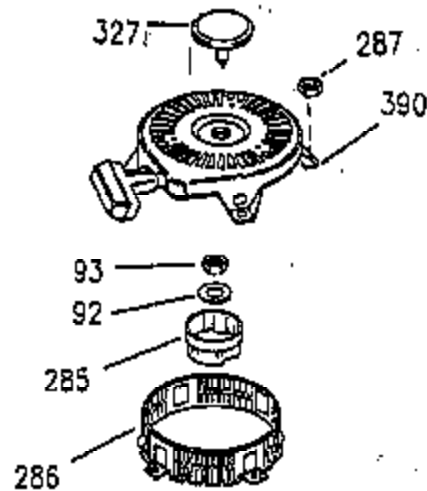
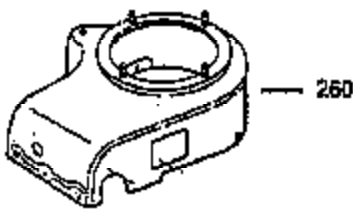
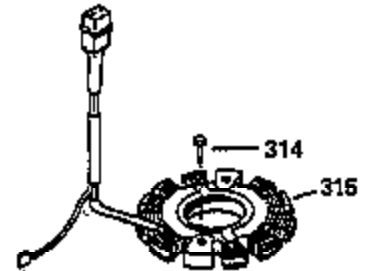
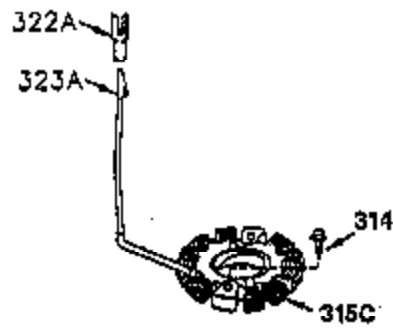
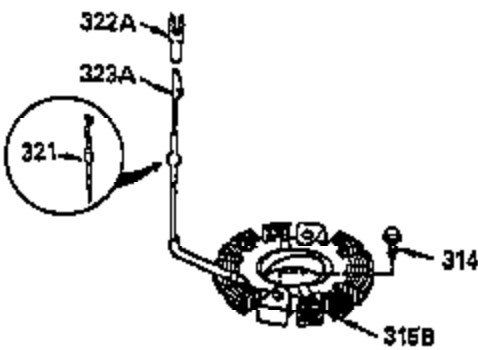
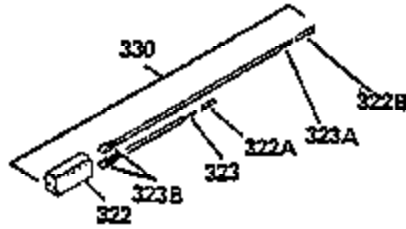
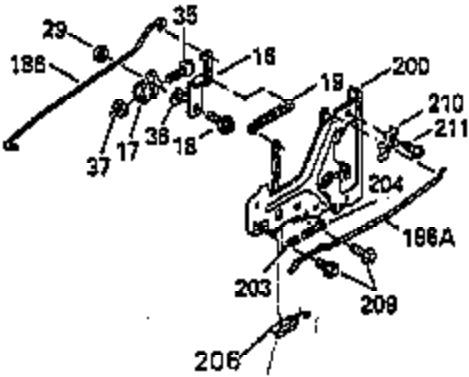
CONTINUED FROM PAGE 2



Ref #	Part Number	Qty	Description
28	30322	1	Lock Nut, 8-32
30	35336B	1	Crankshaft
31	35327	1	Counterbalance Gear
40	35776	1	Piston, Pin & Ring Set (Std.)
40	35777	1	Piston, Pin & Ring Set (.010" OS)
40	35778	1	Piston, Pin & Ring Set (.020" OS)
41	35773	1	Piston & Pin Ass'y. (Std.) (Incl. 43)
41	35774	1	Piston & Pin Ass'y. (.010" OS) (Incl. 43)
41	35775	1	Piston & Pin Ass'y. (.020" OS) (Incl. 43)
42	35779	1	Ring Set (Std.)
42	35780	1	Ring Set (.010" OS)
42	35781	1	Ring Set (.020" OS)
43	35772	2	Piston Pin Retaining Ring
45	35330A	1	Connecting Rod Ass'y. (Incl. 46 & 47)
46	650908	1	Connecting Rod Bolt
47	650882	1	Connecting Rod Bolt
48	35313	2	Valve Lifter
50	35939	1	Camshaft (MCR)
51	35315A	1	Counterbalance Weight
52	31356	1	Oil Pump Ass'y.
69	35317	1	* Mounting Flange Gasket
70	35711A	1	Mounting Flange (Incl. 72, 75 & 80)
72	31927	1	Oil Drain Plug
75	35319	1	Oil Seal
80	35712	1	Governor Shaft
81	35479	2	Washer
82	35321	1	Governor Gear Ass'y.
83	35322	1	Governor Spool
84	29193	1	Retaining Ring
86	650833	7	Screw, 1/4-20 x 1-3/16"
88	31707A	1	Spacer
89	32589	1	Flywheel Key
123	35288	1	Intake Pipe Brace
124	650738	2	Screw, 1/4-20 x 5/8"
182	650517	2	Screw, 1/4-20 x 27/32"
184	33263	1	* Carburetor To Intake Pipe Gasket
185	35955	1	Intake Pipe
210	27793	1	Conduit Clip
211	28942	1	Screw, 10-32 x 3/8"
212A	36288	2	Bushing
223	650971	2	Screw, Torx T-30, 5/16-18 x 7/8"
224	35958	1	* Intake Pipe Gasket
234	650825	2	Nut & Lock Washer, 1/4-20
237	35286	1	Air Cleaner Adapter
238	650875	2	Screw, 10-32 x 5-1/4"
239	33629	2	* Air Cleaner Gasket
240	35960	1	Air Cleaner Body (Incl. 239)
245A	35404	1	Air Cleaner Filter
245	35403	1	Air Cleaner Filter (Incl. 234)
250	35961	1	Air Cleaner Cover
251	650886	2	Wing Nut, 1/4-20
261	30063	2	Screw, Torx T-30, 1/4-20 x 1/2"
264A	30063	1	Screw, Torx T-30, 1/4-20 x 1/2"
290	30705	1	Fuel Line
292	26460	2	Fuel Line Clamp
298	28763	2	Screw, 10-32 x 35/64"
300	33583B	1	Fuel Tank (Incl. 292, 298 & 301)
301	35355	1	Fuel Cap

Ref #	Part Number	Qty	Description
	305 35574	1	Oil Fill Tube
	307 35499	1	"O" Ring
	308A 35437	1	Fill Tube Clip
	308 33997	1	Fill Tube Clip
	310 35576	1	Dipstick
	337 36407	1	Deflector
	380 632650	1	Carburetor (Incl. 184)
	400 35947	1	* Gasket Set (Incl. items marked PK i n notes) Incl. part #'s 27896 (2), 33263 (1), 33629 (2), 34265 (1), 35317 (1), 35762 (2), 35946 (1), 35352 (1), 35958 (1)
	420 730225	1	SAE 30 4-Cycle Engine Oil (Quart)

ILLUSTRATION SHOWS TYPICAL PARTS ONLY. ORDER PART NUMBER. PARTS NOT LISTED ARE SUPPLIED BY OEM.



Ref #	Part Number	Qty	Description
	16 36284	1	Governor Lever (Incl. 212A)
	17 29916	1	Governor Lever Clamp
	18 650548	1	Screw, 8-32 x 5/16"
	19 35945	1	Extension Spring
	28 30322	1	Lock Nut, 8-32
	35 29826	1	Screw, 10-32 x 3/4"
	36 29918	1	Lock Washer
	37 29216	1	Lock Nut, 10-32
	92 650880	1	Lock Washer
	93 650881	1	Flywheel Nut
186A	35957	1	Choke Link
186	36285	1	Governor Link
200	35956	1	Control Bracket (Incl. 203 & 204)
203	36482	1	Compression Spring
204	650777	1	Screw, 6-32 x 21/32"
209	650902	2	Screw, 10-32 x 7/16"
210	27793	1	Conduit Clip
211	28942	1	Screw, 10-32 x 3/8"
238	650875	2	Screw, 10-32 x 5-1/4"
245A	35404	1	Air Cleaner Filter
260	36252	1	Blower Housing
261	30063	2	Screw, Torx T-30, 1/4-20 x 1/2"
264A	30063	1	Screw, Torx T-30, 1/4-20 x 1/2"
285	35985B	1	Starter Cup
286	35446	1	Starter Screen
287	29752	4	Screw, Nut & Lock Washer, 1/4-28
298	28763	2	Screw, 10-32 x 35/64"
300	33583B	1	Fuel Tank (Incl. 292, 298 & 301)
301	35355	1	Fuel Cap
308A	35437	1	Fill Tube Clip
308	33997	1	Fill Tube Clip
314	650873	2	Screw, 1/4-20 x 3/4"
315	611104	1	Alternator Coil (3/5 Split)(Incl.321, 322,323)
321	611161	1	Diode
322	611142	1	Connector Body
323	611118	2	Terminal
327	35392	1	Starter Plug
330	611167	1	Wire Harness
337	36407	1	Deflector
390	590671	1	Rewind Starter (Note: This engine could have been built with 590704 starter. Refer to the design of the air intake louvers for part identification. Individual starter parts do not interchange.)