

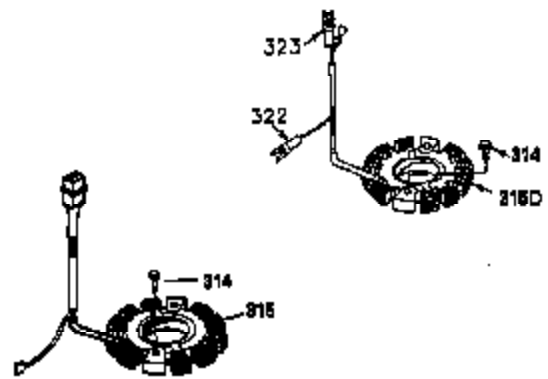
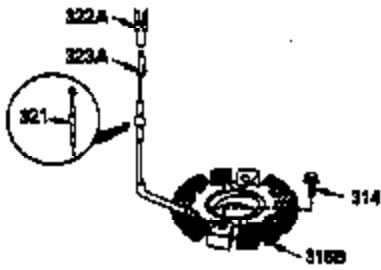
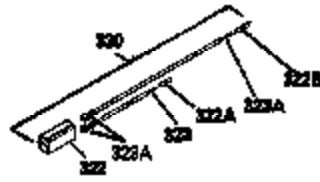
| Ref # | Part Number | Qty | Description |
|-------|-------------|-----|----------------------------------|
| 1 | 35943A | 1 | Cylinder (Incl. 2 & 20) |
| 2 | 27652 | 2 | Dowel Pin |
| 14 | 28277 | 2 | Washer |
| 15 | 35324 | 1 | Governor Rod |
| 16 | 36284 | 1 | Governor Lever (Incl. 212A) |
| 17 | 29916 | 1 | Governor Lever Clamp |
| 18 | 650548 | 1 | Screw, 8-32 x 5/16" |
| 19 | 35945 | 1 | Extension Spring |
| 20 | 35319 | 1 | Oil Seal |
| 25 | 36460 | 1 | Blower Housing Baffle |
| 26 | 650561 | 2 | Screw, 1/4-20 x 5/8" |
| 28 | 30322 | 1 | Lock Nut, 8-32 |
| 35 | 29826 | 1 | Screw, 10-32 x 3/4" |
| 36 | 29918 | 1 | Lock Washer |
| 37 | 29216 | 1 | Lock Nut, 10-32 |
| 38 | 29642 | 1 | Retaining Ring |
| 60 | 35316A | 1 | Blower Housing Extension |
| 62 | 650760 | 1 | Screw, 8-32 x 3/8" |
| 63 | 28545 | 1 | Grommet |
| 65 | 650128 | 1 | Screw, 10-24 x 1/2" |
| 66 | 650990 | 1 | Screw, 5/16-18 x 15/32" |
| 68 | 33356 | 1 | Ground Terminal |
| 90 | 611094 | 1 | Flywheel (W/Ring Gear) |
| 92 | 650880 | 1 | Lock Washer |
| 93 | 650881 | 1 | Flywheel Nut |
| 100 | 35135 | 1 | Solid State Ignition |
| 101 | 610118 | 1 | Spark Plug Cover |
| 102 | 650872 | 2 | Solid State Mounting Stud |
| 103 | 651007 | 2 | Screw, Torx T-15, 10-24 x 15/16" |
| 110 | 35183 | 1 | Ground Wire |
| 119 | 35946 | 1 | * Cylinder Head Gasket |
| 120 | 35948 | 1 | Cylinder Head |
| 125 | 35308 | 1 | Exhaust Valve (Std.) |
| 125 | 35433 | 1 | Exhaust Valve (1/32" OS) |
| 126 | 35309 | 1 | Intake Valve (Std.) |
| 126 | 35432 | 1 | Intake Valve (1/32" OS) |
| 127 | 650691 | 6 | Washer |
| 128 | 650690 | 6 | Belleville Washer |
| 130 | 650946 | 6 | Screw, 5/16-18 x 2-45/64" |
| 135 | 34645 | 1 | Resistor Spark Plug (RN4C) |
| 150 | 33507 | 2 | Valve Spring |
| 151 | 33508 | 2 | Valve Spring Keeper |
| 153 | 35949 | 1 | Push Rod Guide |
| 154 | 650945 | 1 | Rocker Arm Stud |
| 155 | 35950 | 1 | Rocker Arm |
| 156 | 650890 | 2 | Lock Washer |
| 157 | 650947 | 1 | Lock Nut, 5/16-24 |
| 158 | 35951 | 2 | Push Rod |
| 159 | 35952 | 1 | * Rocker Arm Cover Gasket |
| 160 | 35953A | 1 | Rocker Arm Cover |
| 161 | 30063 | 4 | Screw, Torx T-30, 1/4-20 x 1/2" |
| 169 | 27896A | 2 | * Breather Gasket |
| 170 | 28423 | 1 | Breather Body |
| 171 | 28424 | 1 | Breather Element |
| 172 | 28425 | 1 | Valve Cover |
| 173 | 35350 | 1 | Breather Tube |
| 174 | 650128 | 2 | Screw, 10-24 x 1/2" |
| 180 | 35954 | 1 | Blower Housing Extension |

| Ref # | Part Number | Qty | Description |
|-------|-------------|-----|------------------------------------|
| 181 | 30200 | 2 | Screw, 10-24 x 9/16" |
| 186 | 36285 | 1 | Governor Link |
| 186A | 35957 | 1 | Choke Link |
| 200 | 35956 | 1 | Control Bracket (Incl. 203 & 204) |
| 203 | 36482 | 1 | Compression Spring |
| 204 | 650777 | 1 | Screw, 6-32 x 21/32" |
| 209 | 650902 | 2 | Screw, 10-32 x 7/16" |
| 210 | 27793 | 1 | Conduit Clip |
| 211 | 28942 | 1 | Screw, 10-32 x 3/8" |
| 212A | 36288 | 2 | Bushing |
| 260 | 36252 | 1 | Blower Housing |
| 261 | 30063 | 2 | Screw, Torx T-30, 1/4-20 x 1/2" |
| 262 | 29747B | 2 | Screw, Torx T-40, 5/16-24 x 21/32" |
| 264 | 650273 | 2 | Screw, 5/16-18 x 5/8" |
| 264A | 30063 | 1 | Screw, Torx T-30, 1/4-20 x 1/2" |
| 265 | 35959 | 1 | Cylinder Head Cover |
| 266 | 650876 | 2 | Screw, 5/16-18 x 1-1/4" |
| 269 | 35762 | 2 | * Exhaust Manifold Gasket |
| 270A | 35829A | 1 | Exhaust Port Liner |
| 270 | 35870 | 1 | Exhaust Manifold |
| 271 | 35293 | 1 | Locking Plate |
| 275 | 36542 | 1 | Muffler |
| 276 | 35348 | 1 | Locking Plate |
| 277 | 650877 | 2 | Screw, 5/16-18 x 4-1/2" |
| 284 | 35428 | 1 | Muffler Deflector |
| 284A | 650760 | 4 | Screw, 8-32 x 3/8" |
| 290 | 30705 | 1 | Fuel Line |
| 292 | 26460 | 2 | Fuel Line Clamp |
| 298 | 28763 | 2 | Screw, 10-32 x 35/64" |
| 300 | 33583B | 1 | Fuel Tank (Incl. 292, 298 & 301) |
| 301 | 36246 | 1 | Fuel Cap |
| 314 | 650873 | 2 | Screw, 1/4-20 x 3/4" |
| 321 | 611161 | 1 | Diode |
| 322 | 611142 | 1 | Connector Body |
| 323 | 611118 | 2 | Terminal |
| 325 | 34246 | 1 | Wire Clip |
| 330 | 611167 | 1 | Wire Harness |
| 361 | 650990 | 4 | Screw, Torx T-30, 5/16-18 x 15/32" |
| 363 | 34148 | 1 | Spring |
| 370B | 35274 | 1 | Instruction Decal |
| 370 | 36261 | 1 | Instruction Decal |
| 395 | 36680 | 1 | Electric Starter Motor (12 Volt) |



| Ref # | Part Number | Qty | Description |
|-------|-------------|-----|---|
| 30 | 35336B | 1 | Crankshaft |
| 31 | 35327 | 1 | Counterbalance Gear |
| 40 | 35776 | 1 | Piston, Pin & Ring Set (Std.) |
| 40 | 35777 | 1 | Piston, Pin & Ring Set (.010" OS) |
| 40 | 35778 | 1 | Piston, Pin & Ring Set (.020" OS) |
| 41 | 35773 | 1 | Piston & Pin Ass'y. (Std.) (Incl. 43) |
| 41 | 35774 | 1 | Piston & Pin Ass'y. (.010" OS) (Incl. 43) |
| 41 | 35775 | 1 | Piston & Pin Ass'y. (.020" OS) (Incl. 43) |
| 42 | 35779 | 1 | Ring Set (Std.) |
| 42 | 35780 | 1 | Ring Set (.010" OS) |
| 42 | 35781 | 1 | Ring Set (.020" OS) |
| 43 | 35772 | 2 | Piston Pin Retaining Ring |
| 45 | 35330A | 1 | Connecting Rod Ass'y. (Incl. 46 & 47) |
| 46 | 650908 | 1 | Connecting Rod Bolt |
| 47 | 650882 | 1 | Connecting Rod Bolt |
| 48 | 35313 | 2 | Valve Lifter |
| 50 | 35939 | 1 | Camshaft (MCR) |
| 51 | 35315A | 1 | Counterbalance Weight |
| 52 | 31356 | 1 | Oil Pump Ass'y. |
| 69 | 35317 | 1 | * Mounting Flange Gasket |
| 70 | 35711A | 1 | Mounting Flange (Incl. 72, 75 & 80) |
| 72 | 31927 | 1 | Oil Drain Plug |
| 75 | 35319 | 1 | Oil Seal |
| 80 | 35712 | 1 | Governor Shaft |
| 81 | 35479 | 2 | Washer |
| 82 | 35321 | 1 | Governor Gear Ass'y. |
| 83 | 35322 | 1 | Governor Spool |
| 84 | 29193 | 1 | Retaining Ring |
| 86 | 650833 | 7 | Screw, 1/4-20 x 1-3/16" |
| 88 | 31707A | 1 | Spacer |
| 89 | 32589 | 1 | Flywheel Key |
| 123 | 35288 | 1 | Intake Pipe Brace |
| 124 | 650738 | 2 | Screw, 1/4-20 x 5/8" |
| 182 | 650517 | 2 | Screw, 1/4-20 x 27/32" |
| 184 | 33263 | 1 | * Carburetor To Intake Pipe Gasket |
| 185 | 35955 | 1 | Intake Pipe |
| 210 | 27793 | 1 | Conduit Clip |
| 211 | 28942 | 1 | Screw, 10-32 x 3/8" |
| 212A | 36288 | 2 | Bushing |
| 223 | 650971 | 2 | Screw, Torx T-30, 5/16-18 x 7/8" |
| 224 | 35958 | 1 | * Intake Pipe Gasket |
| 234 | 650825 | 2 | Nut & Lock Washer, 1/4-20 |
| 237 | 35286 | 1 | Air Cleaner Adapter |
| 238 | 650875 | 2 | Screw, 10-32 x 5-1/4" |
| 239 | 33629 | 2 | * Air Cleaner Gasket |
| 240 | 35960 | 1 | Air Cleaner Body (Incl. 239) |
| 245 | 35403 | 1 | Air Cleaner Filter (Incl. 234) |
| 245A | 35404 | 1 | Air Cleaner Filter |
| 250 | 35961 | 1 | Air Cleaner Cover |
| 251 | 650886 | 2 | Wing Nut, 1/4-20 |
| 290 | 30705 | 1 | Fuel Line |
| 292 | 26460 | 2 | Fuel Line Clamp |
| 305 | 35574 | 1 | Oil Fill Tube |
| 307 | 35499 | 1 | "O" Ring |
| 310 | 35576 | 1 | Dipstick |
| 330 | 611167 | 1 | Wire Harness |
| 337 | 36407 | 1 | Deflector |
| 370B | 35274 | 1 | Instruction Decal |

| Ref # | Part Number | Qty | Description |
|-------|-------------|-----|---|
| 380 | 632650 | 1 | Carburetor (Incl. 184) |
| 400 | 35947 | 1 | * Gasket Set (Incl. items marked PK i n notes) Incl. part #'s 27896 (2), 33263 (1), 33629 (2), 34265 (1), 35317 (1), 35762 (2), 35946 (1), 35352 (1), 35958 (1) |
| 420 | 730225 | 1 | SAE 30 4-Cycle Engine Oil (Quart) |



| Ref # | Part Number | Qty | Description |
|-------|-------------|-----|---|
| | 92 650880 | 1 | Lock Washer |
| | 93 650881 | 1 | Flywheel Nut |
| | 260 36252 | 1 | Blower Housing |
| | 262 29747B | 2 | Screw, Torx T-40, 5/16-24 x 21/32" |
| | 285 35985B | 1 | Starter Hub |
| | 287 29752 | 4 | Nut & Lock Washer, 1/4-28 |
| 308A | 35437 | 1 | Fill Tube Clip |
| | 314 650873 | 2 | Screw, 1/4-20 x 3/4" |
| | 315 611104 | 1 | Alternator Coil (3/5 Split)(Incl.321, 322,323) |
| | 321 611161 | 1 | Diode |
| | 322 611142 | 1 | Connector Body |
| | 323 611118 | 2 | Terminal |
| | 327 35392 | 1 | Starter Plug |
| | 330 611167 | 1 | Wire Harness |
| 370B | 35274 | 1 | Instruction Decal |
| | 390 590704 | 1 | Rewind Starter (Note: This engine could have been built with 590671 starter. Refer to the design of the rope pulley strength ribs for part identification. Individual starter parts do not interchange. Refer to service bulletin number 116. |