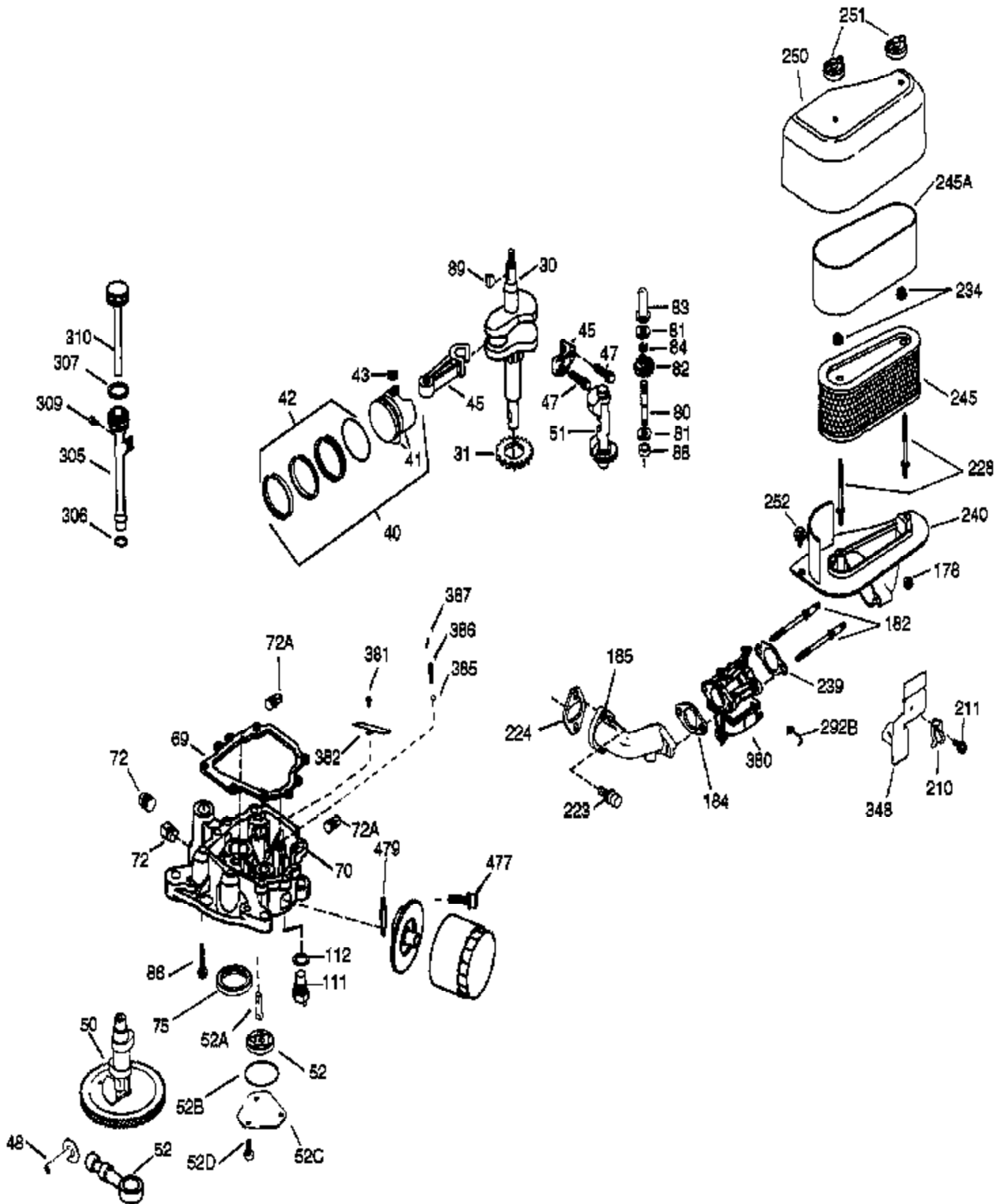


Ref #	Part Number	Qty	Description
	1 36922	1	Cylinder (Incl. 2, 20 & 72)
	2 27652	2	Dowel Pin
	14 28277	2	Washer
	15 35324	1	Governor Rod
	16 36284A	1	Governor Lever
	17 29916	1	Governor Lever Clamp
	18 651028	1	Screw, Torx T-15, 8-32 x 3/8"
	19 35945	1	Extension Spring
	20 35319	1	Oil Seal
	25 37185	1	Blower Housing Baffle
	26 650561	2	Screw, 1/4-20 x 5/8"
	28 30322	1	Lock Nut, 8-32
	35 29826	1	Screw, 10-32 x 3/4"
	36 29918	1	Lock Washer
	37 29216	1	Lock Nut, 10-32
	38 29642	1	Retainer Ring
	60 36927	1	Blower Housing Extension
	62 650760	1	Screw, 8-32 x 3/8"
	63 28545	1	Grommet
	65 650128	1	Screw, 10-24 x 1/2"
	66 30063	1	Screw, Torx T-30, 1/4-20 x 1/2"
	68 33356	1	Ground Terminal
	90 611250	1	Flywheel
	91 611241	1	Flywheel Fan
	91A 611251	1	Flywheel Retainer
	92 650666	1	Lock Washer
	93 650594	1	Flywheel Nut
	100 36344	1	Solid State Ignition (Incl. 101)
	101 610118	1	Spark Plug Cover
	102 651024	2	Solid State Mounting Stud
	103 651007	2	Screw, Torx T-15, 10-24 x 15/16"
	110 35183	1	Ground Wire
	119 36932	1	* Cylinder Head Gasket
	120 36933	1	Cylinder Head
	125 36934	1	Exhaust Valve (Std.)
	125 36936	1	Exhaust Valve (1/32" OS)
	126 36935	1	Intake Valve (Std.)
	126 36937	1	Intake Valve (1/32" OS)
	127 650691	6	Washer
	128 650690	6	Belleville Washer
	130 650697A	6	Screw, 5/16-18 x 2-1/2"
	135 34645	1	Spark Plug (RN4C)
	150 33507	2	Valve Spring
	151 33508	2	Valve Spring Keeper
	153 35949	1	Push Rod Guide
	154 650945	2	Rocker Arm Stud
	155 35950	2	Rocker Arm
	156 650890	2	Lock Washer
	157 650947	2	Lock Nut, 5/16-24
	158 35466	2	Push Rod
	159 35952	1	* Rocker Arm Cover Gasket
	160 35953A	1	Rocker Arm Housing
	161 30063	4	Screw, Torx T-30, 1/4-20 x 1/2"
	169 27896A	2	* Breather Gasket
	170 28423	1	Breather Body
	171 28424	1	Breather Element
	172 36938	1	Valve Cover
	173 36939	1	Breather Tube

Ref #	Part Number	Qty	Description
174	650128	2	Screw, 10-24 x 1/2"
180	35954	1	Blower Housing Extension
181	30200	2	Screw, 10-24 x 9/16"
186A	36991	1	Choke Link
186	36941	1	Governor Link
200	36360	1	Control Bracket (Incl. 203, 204 & 212 A)
203	36482	1	Compression Spring
204	650777	1	Screw, 6-32 x 21/32"
209	650902	2	Screw, 10-32 x 7/16"
210	27793	1	Conduit Clip
211	28942	1	Screw, 10-32 x 3/8"
212A	36288	3	Bushing
260	37187	1	Blower Housing
262	30063	2	Screw, Torx T-30, 1/4-20 x 1/2"
263	36367	1	Trim Ring
264	650273	1	Screw, 5/16-18 x 5/8"
264	650273	1	Screw, 5/16-18 x 5/8"
265	36944	1	Cylinder Head Cover
266A	650876	2	Screw, 5/16-18 x 1-1/4"
269	35762	2	* Exhaust Manifold Gasket
270A	35829A	1	Exhaust Port Liner
270	36235	1	Exhaust Manifold
271	35293	1	Locking Plate
275	36542	1	Muffler
276	35348	1	Locking Plate
277	650877	2	Screw, 5/16-18 x 4-1/2"
281	33013	1	Starter Bubble Cover
282	650760	1	Screw, 8-32 x 3/8"
286	37173	1	Cup & Screen
287	650561	3	Screw, 1/4-20 x 19/32"
290	29774	1	Fuel Line
292	26460	2	Fuel Line Clamp
296	34279B	1	Fuel Filter (Incl. 292)
325	34246	1	Wire Clip
370G	35274	1	Oil Instruction Decal
390	590751	1	Rewind Starter
400	36947	1	* Gasket Set (Incl. items marked PK i n notes) Incl. part #'s 27896A (2), 35317 (1), 35952 (1), 36333 (1), 36352 (1), 36358 (2), 36832 (1), 36930 (1), 36932 (1), 36942 (1)
420	730225	1	SAE 30 4-Cycle Engine Oil (Quart)
475	36961	1	Oil Filter
476	36929	1	Oil Filter Adapter (Incl. 477 & 479)



Ref #	Part Number	Qty	Description
30	36924	1	Crankshaft
31	35327	1	Counterbalance Gear
40	35776A	1	Piston, Pin & Ring Set (Std.)
40	35777A	1	Piston, Pin & Ring Set (.010" OS)
40	35778A	1	Piston, Pin & Ring Set (.020" OS)
41	35773A	1	Piston & Pin Ass'y. (Std.) (Incl. 43)
41	35774A	1	Piston & Pin Ass'y. (.010" OS) (Incl. 43)
41	35775A	1	Piston & Pin Ass'y. (.020" OS) (Incl. 43)
42	35779	1	Ring Set (Std.)
42	35780	1	Ring Set (.010" OS)
42	35781	1	Ring Set (.020" OS)
43	35772	2	Piston Pin Retaining Ring
45	36925	1	Connecting Rod Ass'y. (Incl. 47)
47	651033	2	Connecting Rod Bolt
48	35313	2	Valve Lifter
50	37221	1	Camshaft (MCR)
51	35315A	1	Counterbalance Weight
52A	36331	1	Oil Pump Shaft
52	36931	1	Oil Pump Ass'y.
52	36332	1	Oil Pump
52C	36334	1	Oil Pump Cover (Incl. 52B)
52D	650888	3	Screw, 1/4-20 x 43/64"
52B	36333	1	* "O" Ring
62	650760	1	Screw, 8-32 x 3/8"
63	28545	1	Grommet
68	33356	1	Ground Terminal
69	35317	1	* Mounting Flange Gasket
70	36928	1	Mounting Flange (Incl. 72, 75 & 80)
72	31927	1	Oil Drain Plug
75	35319	1	Oil Seal
80	35712	1	Governor Shaft
81	35479	2	Washer
82	35321	1	Governor Gear Ass'y.
83	35322	1	Governor Spool
84	29193	1	Retaining Ring
86	650833	7	Screw, 1/4-20 x 1-3/16"
88	31707A	1	Spacer
89	650592	1	Flywheel Key
178	650928	2	Lock Nut, 1/4-20
182	650925A	2	Carburetor Mounting Stud
184	36352	1	* Carburetor To Intake Pipe Gasket
185	36940	1	Intake Pipe
186A	36991	1	Choke Link
210	27793	1	Conduit Clip
211	28942	1	Screw, 10-32 x 3/8"
223	650378	2	Screw, Torx T-30, 5/16-18 x 1-3/32"
224	36942	1	* Intake Pipe Gasket
228	650977	2	Air Cleaner Stud
234	650825	2	Nut & Lock Washer, 1/4-20
239	36358	1	* Air Cleaner Gasket
240	36355	1	Air Cleaner Body (Incl. 239)
245	36356	1	Air Cleaner Filter (Incl. 234)
245A	36357	1	Air Cleaner Filter
250	36359	1	Air Cleaner Cover
251	650886	2	Wing Nut, 1/4-20
252	650976	1	Screw, 1/4-20 x 19/32"
266A	650876	2	Screw, 5/16-18 x 1-1/4"
269	35762	2	* Exhaust Manifold Gasket

Ref #	Part Number	Qty	Description
270	36235	1	Exhaust Manifold
271	35293	1	Locking Plate
275	36542	1	Muffler
276	35348	1	Locking Plate
281	33013	1	Starter Bubble Cover
282	650760	1	Screw, 8-32 x 3/8"
287	650561	3	Screw, 1/4-20 x 19/32"
292B	36946	1	Fuel Line Clamp
305	36945	1	Oil Fill Tube
306	36832	1	Fill Tube Gasket
307	35499	1	"O" Ring
309	650976	1	Screw, 1/4-20 x 19/32"
310	35973	1	Dipstick
370G	35274	1	Oil Instruction Decal
380	640065	1	Carburetor (Incl. 184)
381	650767	2	Screw, 8-32 x 27/64"
382	36931	1	Oil Strainer Screen
385	570673	1	Ball
386	36329	1	Pressure Relief Spring
387	36330	1	Roll Pin
390	590751	1	Rewind Starter
400	36947	1	* Gasket Set (Incl. items marked PK i n notes) Incl. part #'s 27896A (2),35317 (1), 35952 (1), 36333 (1), 36352 (1), 36358 (2), 36832 (1), 36930 (1), 36932 (1), 36942 (1)
420	730225	1	SAE 30 4-Cycle Engine Oil (Quart)
475	36961	1	Oil Filter
476	36929	1	Oil Filter Adapter (Incl. 477 & 479)
477	651049	2	Screw, Torx T-30, 5/16-18 x 1-3/32"
479	36930	1	* Oil Filter Adapter Gasket