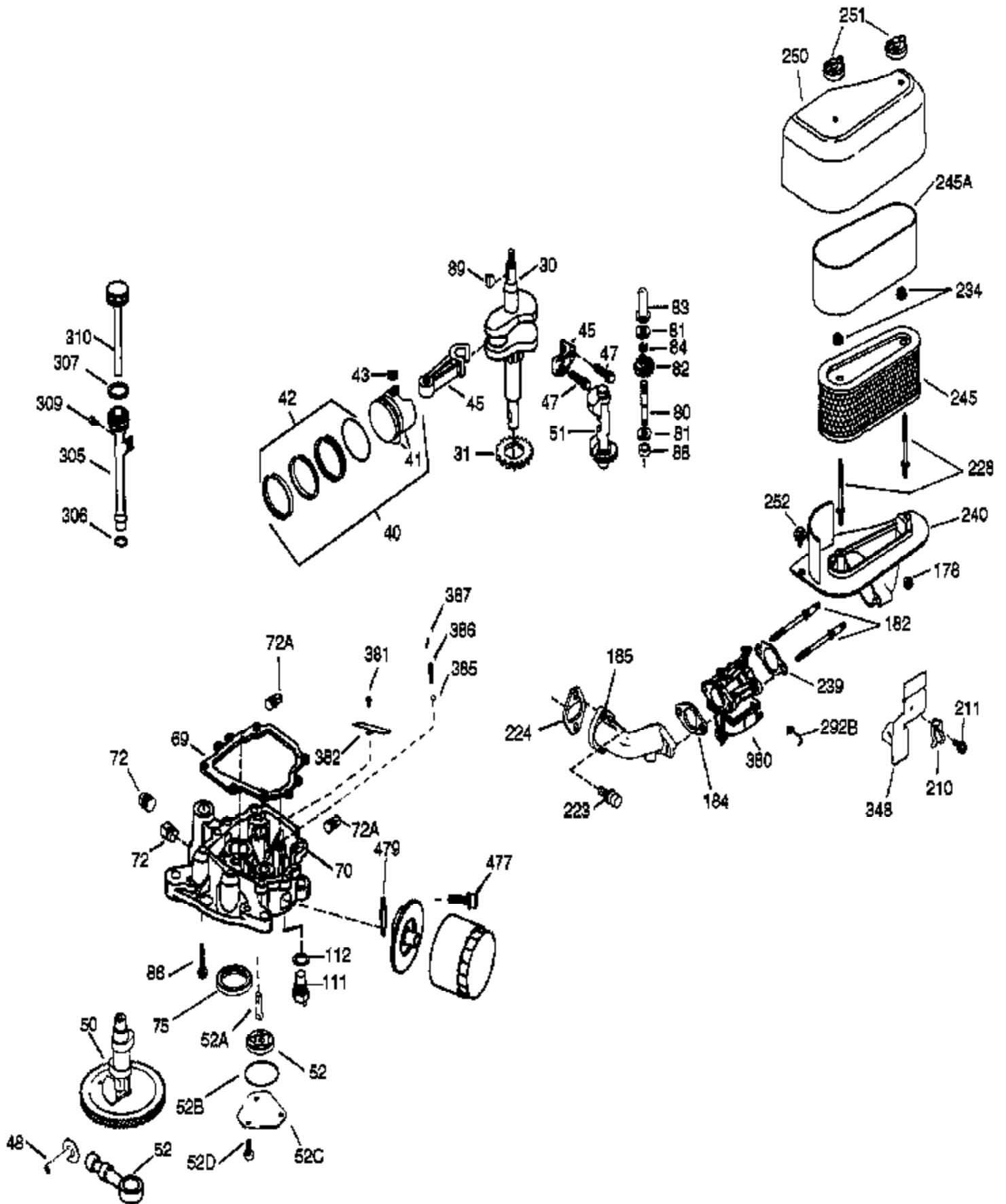


Ref #	Part Number	Qty	Description
1	36922A	1	Cylinder (Incl. 2 & 20)
2	27652	2	Dowel Pin
3	650976	1	Screw, 1/4-20 x 19/32"
14	28277	2	Washer
15	35324	1	Governor Rod
16	36284A	1	Governor Lever (Incl. 212A)
17	29916	1	Governor Lever Clamp
18	651028	1	Screw, Torx T-15, 8-32 x 3/8"
19	35945	1	Extension Spring
20	35319	1	Oil Seal
25	36923	1	Blower Housing Baffle
26	650561	2	Screw, 1/4-20 x 5/8"
28	30322	1	Lock Nut, 8-32
35	29826	1	Screw, 10-32 x 3/4"
36	29918	1	Lock Washer
37	29216	1	Lock Nut, 10-32
38	29642	1	Retainer Ring
60	36927	1	Blower Housing Extension
65	650128	1	Screw, 10-24 x 1/2"
66	30063	1	Screw, Torx T-30, 1/4-20 x 1/2"
90	611240	1	Flywheel
91	611241	1	Flywheel Fan
91A	611242	1	Flywheel Retainer
92	650594	1	Flywheel Nut
93	650666	1	Lock Washer
100	36344	1	Solid State Ignition (Incl. 101)
101	610118	1	Spark Plug Cover
102	651024	2	Solid State Mounting Stud
103	651007	2	Screw, Torx T-15, 10-24 x 15/16"
110	36225	1	Ground Wire
119	36932	1	* Cylinder Head Gasket
120	36933	1	Cylinder Head
125	36934	1	Exhaust Valve (Std.)
125	36936	1	Exhaust Valve (1/32" OS)
126	36935	1	Intake Valve (Std.)
126	36937	1	Intake Valve (1/32" OS)
127	650691	6	Washer
128	650690	6	Belleville Washer
130	650697A	6	Screw, 5/16-18 x 2-1/2"
135	34645	1	Spark Plug (RN4C)
150	33507	2	Valve Spring
151	33508	2	Valve Spring Keeper
153	35949	1	Push Rod Guide
154	650945	2	Rocker Arm Stud
155	35950	2	Rocker Arm
156	650890	2	Lock Washer
157	650947	2	Lock Nut, 5/16-24
158	35466	2	Push Rod
159	35952	1	* Rocker Arm Cover Gasket
160	35953A	1	Rocker Arm Housing
161	30063	4	Screw, Torx T-30, 1/4-20 x 1/2"
169	27896A	2	* Breather Gasket
170	28423	1	Breather Body
171	28424	1	Breather Element
172	36938	1	Valve Cover
173	36939	1	Breather Tube
174	650128	2	Screw, 10-24 x 1/2"
180	35954	1	Blower Housing Extension

Ref #	Part Number	Qty	Description
181	30200	2	Screw, 10-24 x 9/16"
186	36941	1	Governor Link
200	36233	1	Control Bracket (Incl. 203, 204 & 212 A)
203	36482	1	Compression Spring
204	650777	1	Screw, 6-32 x 21/32"
209	650902	2	Screw, 10-32 x 7/16"
210	27793	2	Conduit Clip
211	28942	2	Screw, 10-32 x 3/8"
212A	36288	3	Bushing
260	36943	1	Blower Housing
262	30063	2	Screw, Torx T-30, 1/4-20 x 1/2"
263	36367	1	Trim Ring
264A	650273	2	Screw, 5/16-18 x 5/8"
265	36944	1	Cylinder Head Cover
270A	35829A	1	Exhaust Port Liner
286	36343	1	Cup & Screen
290	30705	1	Fuel Line
292	26460	2	Fuel Line Clamp
296	34279B	1	Fuel Filter (Incl. 292)
314	650873	2	Screw, 1/4-20 x 3/4"
315	611104	1	Alternator Coil (3/5 Split)(Incl. 321 -323)
321	611161	1	Diode
322	611142	1	Connector Body
323	611118	1	Terminal
325	34246	1	Wire Clip
326	36210	1	Screen Plug
347	650949	3	Screw, 10-32 x 9/16"
370G	35274	1	Oil Instruction Decal
394A	650982	1	Washer
400	36947	1	* Gasket Set (Incl. items marked PK i n notes) Incl. part #'s 27896A (2),35317 (1), 35952 (1), 36333 (1), 36352 (1), 36358 (2), 36832 (1), 36930 (1), 36932 (1), 36942 (1)
420	730225	1	SAE 30 4-Cycle Engine Oil (Quart)
475	36961	1	Oil Filter
476	36929	1	Oil Filter Adapter (Incl. 479)



Ref #	Part Number	Qty	Description
	3 650976	1	Screw, 1/4-20 x 19/32"
	30 36924	1	Crankshaft
	31 35327	1	Counterbalance Gear
	40 35776A	1	Piston, Pin & Ring Set (Std.)
	40 35777A	1	Piston, Pin & Ring Set (.010" OS)
	40 35778A	1	Piston, Pin & Ring Set (.020" OS)
	41 35773A	1	Piston & Pin Ass'y. (Std.) (Incl. 43)
	41 35774A	1	Piston & Pin Ass'y. (.010" OS) (Incl. 43)
	41 35775A	1	Piston & Pin Ass'y. (.020" OS) (Incl. 43)
	42 35779	1	Ring Set (Std.)
	42 35780	1	Ring Set (.010" OS)
	42 35781	1	Ring Set (.020" OS)
	43 35772	2	Piston Pin Retaining Ring
	45 36925	1	Connecting Rod Ass'y. (Incl. 47)
	47 651033	2	Connecting Rod Bolt
	48 35313	2	Valve Lifter
	50 36926A	1	Camshaft (MCR)
	51 35315A	1	Counterbalance Weight
	52 36332	1	Oil Pump Assembly
	52C 36334	1	Oil Pump Cover (Incl. 52B)
	52D 650888	3	Screw, Torx T-30, 1/4-20 x 43/64"
	52B 36333	1	"O" Ring
	52A 36331	1	Oil Pump Shaft
	69 35317	1	* Mounting Flange Gasket
	70 36928	1	Mounting Flange (Incl. 72, 75, 80 & 3 81-387)
	72 31927	1	Oil Drain Plug
	72A 28534	2	Oil Drain Plug
	75 35319	1	Oil Seal
	80 35712	1	Governor Shaft
	81 35479	2	Washer
	82 35321	1	Governor Gear Ass'y.
	83 35322	1	Governor Spool
	84 29193	1	Retaining Ring
	86 650833	7	Screw, 1/4-20 x 1-3/16"
	88 31707A	1	Spacer
	89 650592	1	Flywheel Key
	178 650928	2	Lock Nut, 1/4-20
	182 650925A	2	Carburetor Mounting Stud
	184 36352	1	* Carburetor To Intake Pipe Gasket
	185 36940	1	Intake Pipe
	210 27793	2	Conduit Clip
	211 28942	2	Screw, 10-32 x 3/8"
	223 650378	2	Screw, Torx T-30, 5/16-18 x 1-3/32"
	224 36942	1	* Intake Pipe Gasket
	228 650977	2	Air Cleaner Stud
	234 650825	2	Nut & Lock Washer, 1/4-20
	239 36358	1	* Air Cleaner Gasket
	240 36355	1	Air Cleaner Body (Incl. 239)
	245 36356	1	Air Cleaner Filter (Incl. 234)
	245A 36357	1	Air Cleaner Filter
	250 36359	1	Air Cleaner Cover
	251 650886	2	Wing Nut, 1/4-20
	264A 650273	2	Screw, 5/16-18 x 5/8"
	292B 36946	1	Fuel Line Clamp
	305 36945	1	Oil Fill Tube
	306 36832	1	Fill Tube Gasket
	307 35499	1	"O" Ring
	309 650976	1	Screw, 1/4-20 x 19/32"

Ref #	Part Number	Qty	Description
310	35973	1	Dipstick
348	36383	1	Choke Bracket
370G	35274	1	Oil Instruction Decal
380	640065	1	Carburetor (Incl. 184)
381	650767	1	Screw, 8-32 x 27/64"
382	36931	1	Oil Strainer Screen
385	570673	1	Ball
386	36329	1	Pressure Relief Spring
387	36330	1	Roll Pin
400	36947	1	* Gasket Set (Incl. items marked PK i n notes) Incl. part #'s 27896A (2),35317 (1), 35952 (1), 36333 (1), 36352 (1), 36358 (2), 36832 (1), 36930 (1), 36932 (1), 36942 (1)
420	730225	1	SAE 30 4-Cycle Engine Oil (Quart)
475	36961	1	Oil Filter
476	36929	1	Oil Filter Adapter (Incl. 479)
477	650378	2	Screw, Torx T-30, 5/16-18 x 1-3/32"
479	36930	1	* Oil Filter Adapter Gasket