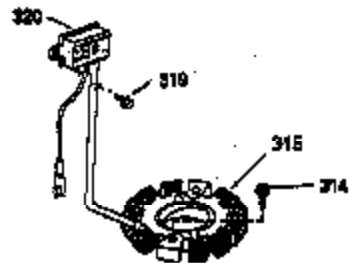
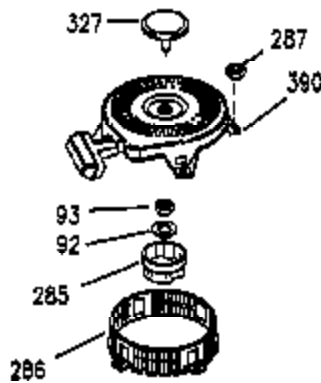
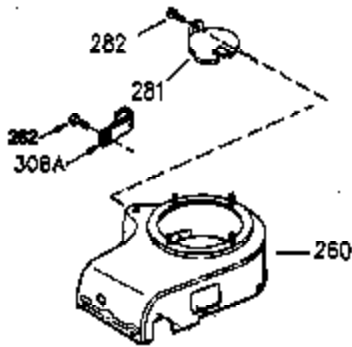
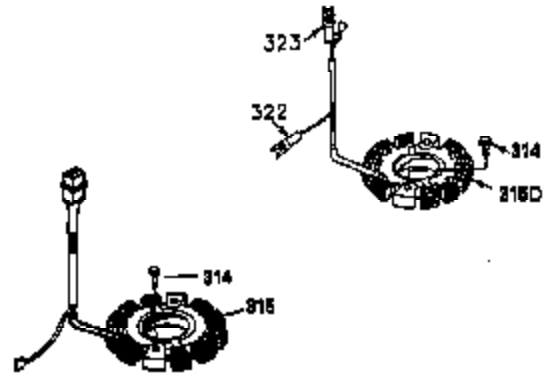
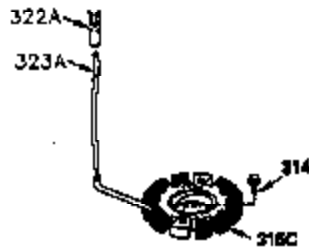
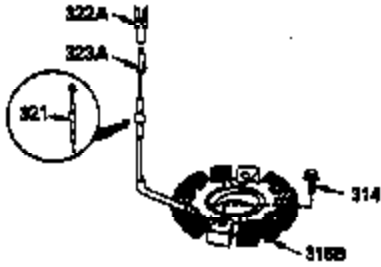
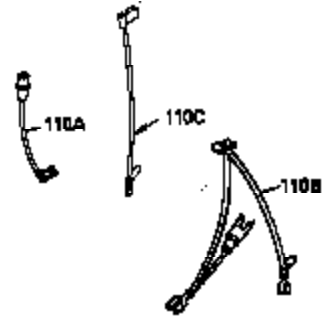
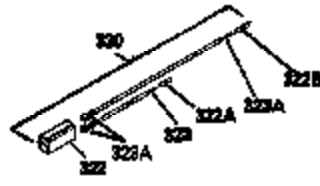
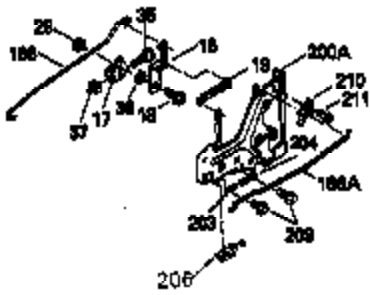


Ref #	Part Number	Qty	Description
	1 37525	1	Cylinder (Incl. 2,11B,20,72B & 314)
	2 27652	2	Dowel Pin
	11A 36303	1	Breather Plate
	11B 650902	1	Screw, 10-32 x 7/16"
	11 36302	1	Check Valve
	14 28277	2	Washer
	15 36307	1	Governor Rod
	16 36346A	1	Governor Lever
	17 29916	1	Governor Lever Clamp
	18 651028	1	Screw, T-15, 8-32 x 7/16"
	19 36414	1	Extension Spring
	20 36301	1	Oil Seal
	28 30322	1	Lock Nut, 8-32
	35 29826	1	Screw, 10-32 x 3/4"
	36 29918	1	Lock Washer
	37 29216	1	Lock Nut, 10-32
	38 29642	1	Retaining Ring
	50A 730656		Camshaft Repair Kit
	52B 36333	1	* "O" Ring
	52C 36334	1	Oil Pump Cover (Incl. 52B)
	52D 650888	3	Screw, T-30, 1/4-20 x 43/64"
	52A 36331	1	Oil Pump Shaft
	60B 650867	1	Screw, 10-24 x 1/2"
	60 36361	1	Air Baffle
	60A 650273	1	Screw, 5-16/18 x 17/32"
	62 650760	1	Screw, 8-32 x 3/8"
	63 28545	1	Grommet
	65 30063	1	Screw, T-30, 1/4-20 x 1/2"
	66 650737	1	Screw, 1/4-20 x 1/2"
	68 33356	1	Ground Terminal
	90 611265	1	Flywheel (Incl. 91 & 91A)
	91A 611251	1	Flywheel Retainer
	92 651082	1	Lock Washer
	93 650594	1	Flywheel Nut
	100 36344A	1	Solid State Ignition (Incl. 101)
	101 610118	1	Spark Plug Cover
	102 651024	2	Solid State Mounting Stud
	103 651007	2	Screw, T-15, 10-24 x 15/16"
	110 37154	1	Ground Wire
	119 37493	1	* Cylinder Head Gasket
	120 37495	1	Cylinder Head (Incl. 119,151A & 270A)
	125 35308	1	Exhaust Valve (Std.)
	125 35433	1	Exhaust Valve (1/32" OS)
	126 35309	1	Intake Valve (Std.)
	127 650691	6	Washer
	128 650690	6	Belleville Washer
	130 650946	6	Screw, 5/16-18 x 2-45/64"
	135 34645	1	Resistor Spark Plug (RN4C)
	150 33507	2	Valve Spring
	151A 40046	1	Intake Valve Seal
	151 33508	2	Valve Spring Keeper
	153 36339	1	Push Rod Guide
	154 651077	2	Rocker Arm Stud
	155 35950	2	Rocker Arm
	156 730636	2	Rocker Arm Bearing
	157A 650586	2	Jam Nut, 5/16-24
	158 36340	2	Push Rod
	159 35952	1	* Rocker Arm Cover Gasket

Ref #	Part Number	Qty	Description
160	35953A	1	Rocker Arm Cover
161	30063	4	Screw, T-30, 1/4-20 x 1/2"
169	36304	1	* Breather Gasket
172	36305	1	Valve Cover
173	36306	1	Breather Tube
174	30063	4	Screw, T-30, 1/4-20 x 1/2"
178	650928	2	Nut, 1/4-20
186	36354	1	Governor Link
186A	36353	1	Choke Link
200	36360	1	Control Bracket (Incl. 203,204,212A)
203	36482	1	Compression Spring
204	651019	1	Screw, T-10, 6-32 x 41/64"
209	650902	2	Screw, 10-32 x 7/16"
210	27793	1	Conduit Clip
211	28942	1	Screw, 10-32 x 3/8"
212A	36288	3	Bushing
228	650977	2	Air Cleaner Stud
260	37174	1	Blower Housing
262	650737	3	Screw, 1/4-20 x 1/2"
263	36367	1	Trim Ring
264A	650802	2	Screw, 1/4-20 x 5/8"
265	36704	1	Cylinder Head Cover
269	36365	1	* Exhaust Manifold Gasket
270A	35829A	1	Exhaust Port Liner
270	36364	1	Exhaust Manifold
271	36363	1	Locking Plate
271A	36371	1	Muffler Clamp
275	36372	1	Muffler
290	30705	1	Fuel Line
292	26460	2	Fuel Line Clamp
296	34279B	1	Fuel Filter (Incl. 292)
370G	35274	1	Oil Instruction Decal
381	650767	1	Screw, 8-32 x 27-64"
382	36328	1	Oil Strainer Screen
385	570673	1	Ball
386	36329	1	Pressure Relief Spring
387	37652	1	Cotter Pin
475	36563	1	Oil Filter
476	36374B	1	Oil Filter Adapter (Incl. 477 & 479)
477	650978	2	Screw, T-30, 5/16-18 x 1-7/16"
479	36335	1	* Oil Filter Adapter Gasket

Ref #	Part Number	Qty	Description
11B	650902	1	Screw, 10-32 x 7/16"
11	36302	1	Check Valve
11A	36303	1	Breather Plate
30	36308	1	Crankshaft
31	36324	1	Counterbalance Gear
40	36312	1	Piston, Pin & Ring Set (Std.)
40	36313	1	Piston, Pin & Ring Set (.010" OS)
40	36314	1	Piston, Pin & Ring Set (.020" OS)
41	36309	1	Piston & Pin Ass'y (Std.) (Incl. 43)
41	36310	1	Piston & Pin Ass'y (.010" OS) (Incl. 43)
41	36311	1	Piston & Pin Ass'y (.020" OS) (Incl. 43)
42	36315	1	Ring Set (Std.)
42	36316	1	Ring Set (.010" OS)
42	36317	1	Ring Set (.020" OS)
43	35772	2	Piston Pin Retaining Ring
45	36318A	1	Connecting Rod Ass'y (Incl. 46)
45	36319A	1	Connecting Rod Ass'y (.010" US) (Incl. 46)
45	36320A	1	Connecting Rod Ass'y (.020" US) (Incl. 46)
46	650908	2	Connecting Rod Bolts
48	36321	2	Valve Lifter
50A	730656		Camshaft Repair Kit
50	36533A	1	Camshaft (MCR)
51	36323	1	Counterbalance Weight
52B	36333	1	* "O" Ring
52A	36331	1	Oil Pump Shaft
52	37305	1	Oil Pump Ass'y
52D	650888	3	Screw, T-30, 1/4-20 x 43/64"
52C	36334	1	Oil Pump Cover (Incl. 52B)
60B	650867	1	Screw, 10-24 x 1/2"
60A	650273	1	Screw, 5-16/18 x 17/32"
69	36565	1	* Mounting Flange Gasket
70	37304A	1	Mounting Flange (Incl.72,72A,75,80,38 1-387)
72	28483	2	Oil Drain Plug
72A	28534	4	Oil Drain Plug
75	36301	1	Oil Seal
80	35712	1	Governor Shaft
81	35479A	2	Washer
82	36327	1	Governor Gear Ass'y
83	35322	1	Governor Spool
84	29193	1	Retaining Ring
86	650970	9	Screw, 1/4-20 x 1-15/32"
89	650592	1	Flywheel Key
91A	611251	1	Flywheel Retainer
91	611241	1	Flywheel Fan
151A	40046	1	Intake Valve Seal
157A	650586	2	Jam Nut, 5/16-24
178	650928	2	Nut, 1/4-20
182	650925A	2	Carburetor Mounting Stud
184	36352	1	* Carburetor To Intake Pipe Gasket
185	36852	1	Intake Pipe
210	27793	1	Conduit Clip
211	28942	1	Screw, 10-32 x 3/8"
212A	36288	3	Bushing
223	650975	2	Screw, T-30, 5/16-18 x 1-9/32"
224	36490	1	Spacer
228	650977	2	Air Cleaner Stud
234	650825	2	Nut & Lock Washer, 1/4-20
239	36358	1	* Air Cleaner Gasket

Ref #	Part Number	Qty	Description
240	36355	1	Air Cleaner Body (Incl. 228 & 239)
245A	36357	1	Air Cleaner Filter
245	36356	1	Air Cleaner Filter (Incl. 234)
250	36359	1	Air Cleaner Cover
251	650886	2	Wing Nut, 1/4-20
252	650976	1	Screw, 1/4-20 x 19/32"
271A	36371	1	Muffler Clamp
290	30705	1	Fuel Line
292	26460	2	Fuel Line Clamp
296	34279B	1	Fuel Filter (Incl. 292)
305	36349	1	Oil Fill Tube
306	37401	1	"O" Ring
307	35499	1	"O" Ring
309	650974	1	Screw, 1/4-20 x 57/64"
310	36366	1	Dipstick
380	640034A	1	Carburetor (Incl. 184 & 212A)
381	650767	1	Screw, 8-32 x 27-64"
382	36328	1	Oil Strainer Screen
385	570673	1	Ball
386	36329	1	Pressure Relief Spring
387	37652	1	Cotter Pin
400	37496	1	* Gasket Set (Incl. items marked PK i n notes)
420	730225A	1	SAE 30 4-Cycle Engine Oil (Quart)
475	36563	1	Oil Filter
476	36374B	1	Oil Filter Adapter (Incl. 477 & 479)
477	650978	2	Screw, T-30, 5/16-18 x 1-7/16"
479	36335	1	* Oil Filter Adapter Gasket



Ref #	Part Number	Qty	Description
	11 36302	1	Check Valve
	11A 36303	1	Breather Plate
	11B 650902	1	Screw, 10-32 x 7/16"
	50A 730656		Camshaft Repair Kit
	52D 650888	3	Screw, T-30, 1/4-20 x 43/64"
	52B 36333	1	* "O" Ring
	52C 36334	1	Oil Pump Cover (Incl. 52B)
	52A 36331	1	Oil Pump Shaft
	60B 650867	1	Screw, 10-24 x 1/2"
	60A 650273	1	Screw, 5-16/18 x 17/32"
	91A 611251	1	Flywheel Retainer
	92 651082	1	Lock Washer
	93 650594	1	Flywheel Nut
	151A 40046	1	Intake Valve Seal
	157A 650586	2	Jam Nut, 5/16-24
	178 650928	2	Nut, 1/4-20
	228 650977	2	Air Cleaner Stud
	260 37174	1	Blower Housing
	262 650737	3	Screw, 1/4-20 x 1/2"
	271A 36371	1	Muffler Clamp
	281 36528	1	Starter Bubble Cover
	282 650273	1	Screw, 5/16-18 x 17/32"
	286 37173	1	Cup & Screen
	287 650561	3	Screw, 1/4-20 x 19/32"
	381 650767	1	Screw, 8-32 x 27-64"
	382 36328	1	Oil Strainer Screen
	385 570673	1	Ball
	386 36329	1	Pressure Relief Spring
	387 37652	1	Cotter Pin
	390 590751	1	Rewind Starter
	475 36563	1	Oil Filter
	476 36374B	1	Oil Filter Adapter (Incl. 477 & 479)
	477 650978	2	Screw, T-30, 5/16-18 x 1-7/16"
	479 36335	1	* Oil Filter Adapter Gasket