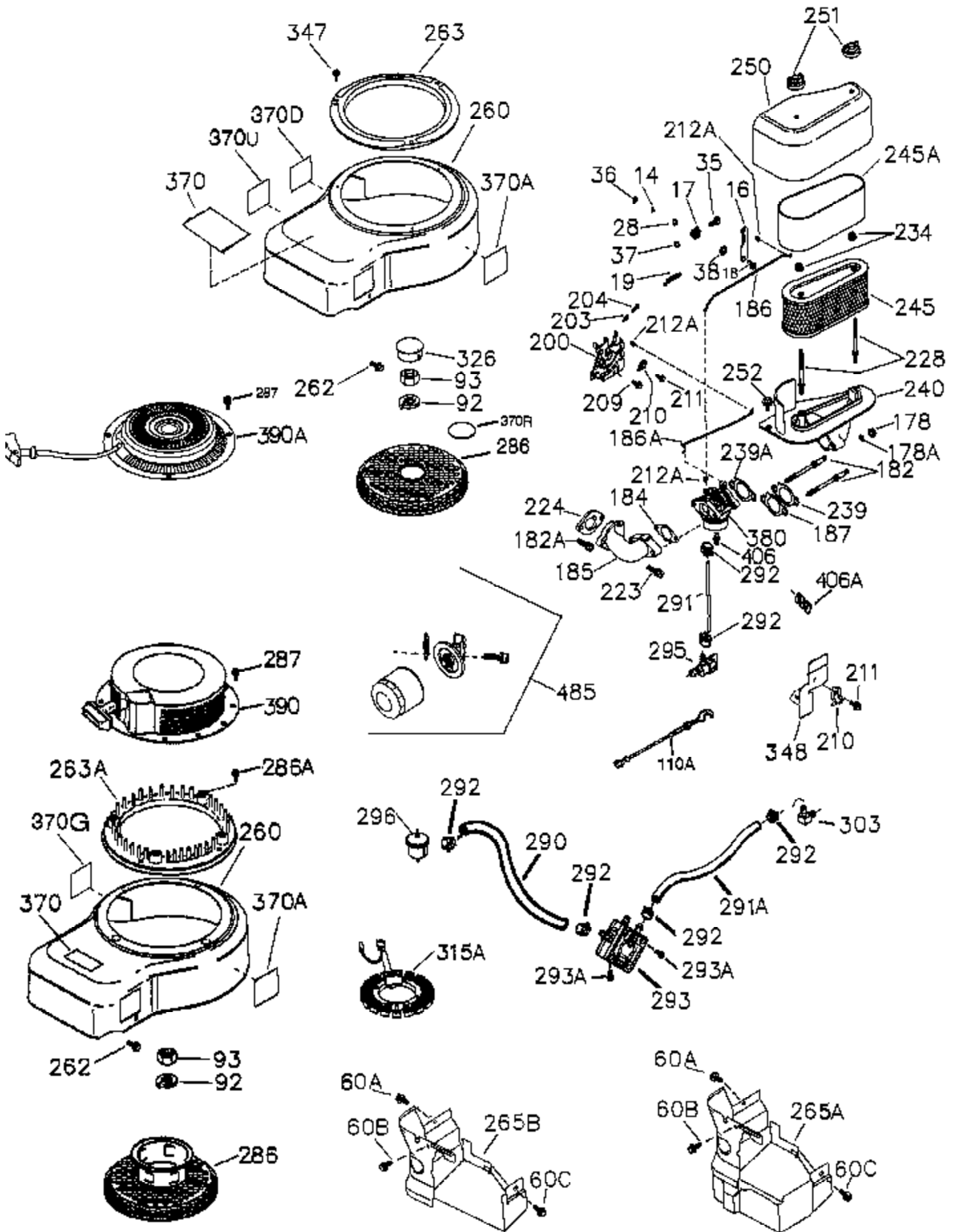




Ref #	Part Number	Qty	Description
1	36300A	1	Cylinder (Incl. 2,11B,20,72A & 314)
2	27652	2	Dowel Pin
11A	36303	1	Breather Plate
11	36302	1	Check Valve
11B	650902	1	Screw, 10-32 x 7/16"
15	36307	1	Governor Rod
20	36301	1	Oil Seal
30	36308	1	Crankshaft
31	36324	1	Counterbalance Gear
38	29642	1	Retaining Ring
40	36312	1	Piston, Pin & Ring Set (Std.)
40	36313	1	Piston, Pin & Ring Set (.010" OS)
40	36314	1	Piston, Pin & Ring Set (.020" OS)
41	36309	1	Piston & Pin Ass'y. (Std.) (Incl. 43)
41	36310	1	Piston & Pin Ass'y. (.010" OS) (Incl. 43)
41	36311	1	Piston & Pin Ass'y. (.020" OS) (Incl. 43)
42	36315	1	Ring Set (Std.)
42	36316	1	Ring Set (.010" OS)
42	36317	1	Ring Set (.020" OS)
43	35772	2	Piston Pin Retaining Ring
45	36318A	1	Connecting Rod Ass'y. (Incl. 46)
45	36319	1	Connecting Rod Ass'y. (.010" US) (Incl. 46)
45	36320	1	Connecting Rod Ass'y. (.020" US) (Incl. 46)
46	650908	2	Connecting Rod Bolt
48	36321	2	Valve Lifter
50	36533A	1	Camshaft (MCR)
50A	730656		Camshaft Repair Kit
51	36323	1	Counterbalance Weight
52B	36333	1	* "O" Ring
52A	36331	1	Oil Pump Shaft
52D	650888	3	Screw, Torx T-30, 1/4-20 x 43/64"
52	36332	1	Oil Pump Ass'y.
52C	36334	1	Oil Pump Cover (Incl. 52B)
60B	650867	1	Screw, 10-24 x 1/2"
60A	650781	1	Screw, 5-16/18 x 11/16"
60	36361	1	Air Baffle
65	30063	1	Screw, Torx T-30, 1/4-20 x 1/2"
66	650737	1	Screw, 1/4-20 x 1/2"
69	36565	1	* Mounting Flange Gasket
70	36566	1	Mounting Flange (Incl.72,72A,75,80,38 1-387)
72A	28534	2	Oil Drain Plug
72	28483	2	Oil Drain Plug
75	36301	1	Oil Seal
80	35712	1	Governor Shaft
81	35479	2	Washer
82	36327	1	Governor Gear Ass'y.
83	35322	1	Governor Spool
84	29193	1	Retaining Ring
86	650970	9	Screw, 1/4-20 x 1-15/32"
89	650592	1	Flywheel Key
90	611243	1	Flywheel (W/Ring Gear)
91	611241	1	Flywheel Fan
91A	611242	1	Flywheel Retainer
100	36344	1	Solid State Ignition (Incl. 101)
101	610118	1	Spark Plug Cover
102	651024	2	Solid State Mounting Stud
103	651007	2	Screw, Torx T-15, 10-24 x 15/16"
110	36645	1	Ground Wire

Ref #	Part Number	Qty	Description
119	36337	1	* Cylinder Head Gasket
120	36488	1	Cylinder Head
125	35308	1	Exhaust Valve (Std.)
125	35433	1	Exhaust Valve (1/32" OS)
126	35309	1	Intake Valve (Std.)
126	35432	1	Intake Valve (1/32" OS)
127	650691	6	Washer
128	650690	6	Belleville Washer
130	650946	6	Screw, 5/16-18 x 2-45/64"
135	34645	1	Spark Plug (RN4C)
150	33507	2	Valve Spring
151	33508	2	Valve Spring Keeper
153	36339	1	Push Rod Guide
154	650972	2	Rocker Arm Stud
155	35950	2	Rocker Arm
156	730636	2	Rocker Arm Bearing
157	730636	2	Screw, 5/16-24 x 1/4"
158	36340	2	Push Rod
159	35952	1	* Rocker Arm Cover Gasket
160	35953A	1	Rocker Arm Housing
161	30063	4	Screw, Torx T-30, 1/4-20 x 1/2"
169	36304	1	* Breather Gasket
172	36305	1	Valve Cover
173	36306	1	Breather Tube
174	30063	4	Screw, Torx T-30, 1/4-20 x 1/2"
265	36615	1	Cylinder Head Cover
270A	35829A	1	Exhaust Port Liner
305	36349	1	Oil Fill Tube
306	36348	1	* "O" Ring
307	35499	1	"O" Ring
309	650974	1	Screw, 1/4-20 x 57/64"
310	36366	1	Dipstick
314	651007	2	Screw, Torx T-15, 10-24 x 15/16"
315	611181	1	Alternator Coil (3/5 Split) (Incl.321 - 323)
321	611161	1	Diode
322	611142	1	Connector Body
323	611118	1	Terminal
325	37230	1	Wire Clip
325A	36342	1	Wire Clip
361	650969	2	Screw, 5/16-18 x 29/32"
381	650767	1	Screw, 8-32 x 27/64"
382	36328	1	Oil Strainer Screen
385	570673	1	Ball
386	36329	1	Pressure Relief Spring
387	36330	1	Roll Pin
394A	650982	1	Washer
395	36795	1	Electric Starter Motor (12 Volt)
400	36567	1	* Gasket Set (Incl. items marked PK i n notes) Incl. one each of part #'s:35952, 36304, 36325, 36333, 36335, 36337, 36348, 36351, 36352, 36358, 36365, 36490, 36565
420	730225	1	SAE 30 4-Cycle Engine Oil (Quart)
477	650971	2	Screw, Torx T-30, 5/16-18 x 7/8"
478	36336	1	Oil Passage Cover (Incl. 479)
479	36335	1	* Oil Filter Adapter Gasket



Ref #	Part Number	Qty	Description
	14 28277	2	Washer
	16 36346A	1	Governor Lever
	17 29916	1	Governor Lever Clamp
	18 651028	1	Screw, Torx T-15, 8-32 x 3/8"
	19 36414	1	Extension Spring
	28 30322	1	Lock Nut, 8-32
	35 29826	1	Screw, 10-32 x 3/4"
	36 29918	1	Lock Washer
	37 29216	1	Lock Nut, 10-32
	38 29642	1	Retaining Ring
	60A 650781	1	Screw, 5-16/18 x 11/16"
	60B 650867	1	Screw, 10-24 x 1/2"
	92 650666	1	Lock Washer
	93 650594	1	Flywheel Nut
	110A 36917	1	Ground Wire
	178 650928	2	Lock Nut, 1/4-20
	182 650925A	2	Carburetor Mounting Stud
	184 36352	1	* Carburetor To Intake Pipe Gasket
	185 36852	1	Intake Pipe
	186 36354	1	Governor Link
	200 36233	1	Control Bracket (Incl. 203,204,212A)
	203 36482	1	Compression Spring
	204 650777	1	Screw, 6-32 x 21/32"
	209 650902	2	Screw, 10-32 x 7/16"
	210 27793	2	Conduit Clip
	211 28942	2	Screw, 10-32 x 3/8"
	212A 36288	3	Bushing
	223 650975	2	Screw, Torx T-30, 5/16-18 x 1-9/32"
	224 36490	1	* Intake Pipe Gasket
	228 650977	2	Air Cleaner Stud
	234 650825	2	Nut & Lock Washer, 1/4-20
	239 36358	1	* Air Cleaner Gasket
	240 36355	1	Air Cleaner Body (Incl. 228 & 239)
	245 36356	1	Air Cleaner Filter (Incl. 234)
	245A 36357	1	Air Cleaner Filter
	250 36359	1	Air Cleaner Cover
	251 650886	2	Wing Nut, 1/4-20
	252 650976	1	Screw, 1/4-20 x 19/32"
	260 36347	1	Blower Housing
	262 650737	3	Screw, 1/4-20 x 1/2"
	263 36367	1	Trim Ring
	286 36343	1	Cup & Screen
	290 30705	1	Fuel Line
	292 26460	2	Fuel Line Clamp
	296 34279B	1	Fuel Filter (Incl. 292)
	326 36210	1	Screen Plug
	347 650949	3	Screw, 10-32 x 9/16"
	348 36383	1	Choke Bracket
	370 36261	1	Identification Decal
	370G 35274	1	Oil Instruction Decal
	380 640034	1	Carburetor (Incl. 184 & 212A)
	394A 650982	1	Washer
	406A 36918	1	Solenoid Spring
	406 611221	1	Fuel Shut-Off Solenoid
	485 36435	1	Oil Filter Adapter Kit (Optional) (Incl. 36262 Oil Filter, 36374 Oil Filter Adapter, 650971 Screw, 36335 Oil Passage Gasket)