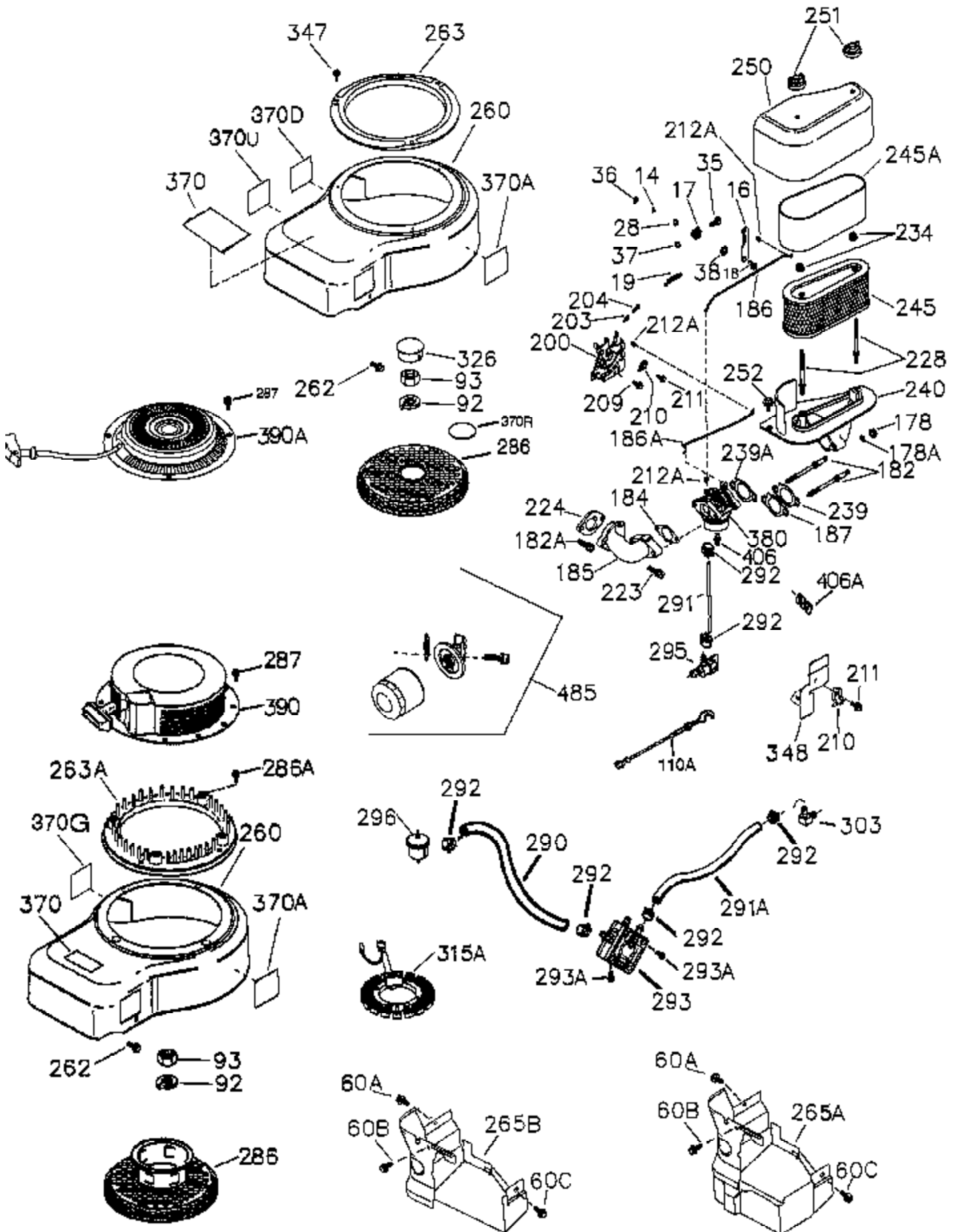




Ref #	Part Number	Qty	Description
	1 37525	1	Cylinder (Incl. 2,11B,20,72B & 314)
	2 27652	2	Dowel Pin
11B	650902	1	Screw, 10-32 x 7/16"
11	36302	1	Check Valve
11A	36303	1	Breather Plate
15	36307	1	Governor Rod
20	36301	1	Oil Seal
30	36308	1	Crankshaft
31	36324	1	Counterbalance Gear
38	29642	1	Retaining Ring
40	36312	1	Piston, Pin & Ring Set (Std.)
40	36313	1	Piston, Pin & Ring Set (.010" OS)
40	36314	1	Piston, Pin & Ring Set (.020" OS)
41	36309	1	Piston & Pin Ass'y. (Std.) (Incl. 43)
41	36310	1	Piston & Pin Ass'y. (.010" OS) (Incl. 43)
41	36311	1	Piston & Pin Ass'y. (.020" OS) (Incl. 43)
42	36315	1	Ring Set (Std.)
42	36316	1	Ring Set (.010" OS)
42	36317	1	Ring Set (.020" OS)
43	35772	2	Piston Pin Retaining Ring
45	36318A	1	Connecting Rod Ass'y. (Incl. 46)
45	36319A	1	Connecting Rod Ass'y. (.010" US) (Incl. 46)
45	36320A	1	Connecting Rod Ass'y. (.020" US) (Incl. 46)
46	650908	2	Connecting Rod Bolt
48	36321	2	Valve Lifter
50	36533A	1	Camshaft (MCR)
50A	730656		Camshaft Repair Kit
51	36323	1	Counterbalance Weight
52	37305	1	Oil Pump Ass'y.
52D	650888	3	Screw, T-30, 1/4-20 x 43/64"
52C	36334	1	Oil Pump Cover (Incl. 52B)
52B	36333	1	* "O" Ring
52A	36331	1	Oil Pump Shaft
60A	650273	1	Screw, 5-16/18 x 17/32"
60	36361	1	Air Baffle
60B	650867	1	Screw, 10-24 x 1/2"
65	30063	1	Screw, T-30, 1/4-20 x 1/2"
66	650737	1	Screw, 1/4-20 x 1/2"
69	36565	1	* Mounting Flange Gasket
70	37304A	1	Mounting Flange (Incl.72,72A,72B,75,8 0,381-387)
72	31927	1	Oil Drain Plug
72A	28483	2	Oil Drain Plug
72B	28534	3	Oil Drain Plug
75	36301	1	Oil Seal
80	35712	1	Governor Shaft
81	35479A	2	Washer
82	36327	1	Governor Gear Ass'y.
83	35322	1	Governor Spool
84	29193	1	Retaining Ring
86	650970	9	Screw, 1/4-20 x 1-15/32"
89	650592	1	Flywheel Key
90	611186	1	Flywheel (W/Ring Gear)
100	36344A	1	Solid State Ignition (Incl. 101)
101A	611284	1	Spark Plug Shield
101	610118	1	Spark Plug Cover
102	651024	2	Solid State Mounting Stud
103	651007	2	Screw, T-15, 10-24 x 15/16"
110	36345	1	Ground Wire

Ref #	Part Number	Qty	Description
119	37493	1	* Cylinder Head Gasket
120	37495	1	Cylinder Head (Incl. 119,151A & 270A)
125	35308	1	Exhaust Valve (Std.)
125	35433	1	Exhaust Valve (1/32" OS)
126	35309	1	Intake Valve (Std.)
127	650691	6	Washer
128	650690	6	Belleville Washer
130	650946	6	Screw, 5/16-18 x 2-45/64"
135	34645	1	Resistor Spark Plug (RN4C)
150	33507	2	Valve Spring
151	33508	2	Valve Spring Keeper
151A	40046	1	Intake Valve Seal
153	36339	1	Push Rod Guide
154	651077	2	Rocker Arm Stud
155	35950	2	Rocker Arm
156	730636	2	Rocker Arm Bearing
157	650586	2	Jam Nut, 5/16-24
158	36340	2	Push Rod
159	35952	1	* Rocker Arm Cover Gasket
160	35953A	1	Rocker Arm Housing
161	30063	4	Screw, T-30, 1/4-20 x 1/2"
169	36304	1	* Breather Gasket
172	36305	1	Valve Cover
173	36306	1	Breather Tube
174	30063	4	Screw, T-30, 1/4-20 x 1/2"
269	36365	2	* Exhaust Manifold Gasket
270	36364	1	Exhaust Manifold
270A	35829A	1	Exhaust Port Liner
271	36363	1	Locking Plate
277	650876	2	Screw, 5/16-18 x 1-9/32"
294	35791	1	Pulse Pump Repair Kit
305	36349	1	Oil Fill Tube
306	37401	1	* "O" Ring
307	35499	1	"O" Ring
309	650974	1	Screw, 1/4-20 x 57/64"
310	36366	1	Dipstick
314	651007	2	Screw, T-15, 10-24 x 15/16"
319	650737	2	Screw, 1/4-20 x 1/2"
320	611184	1	Regulator (16 Amp)
322	611117	1	Connector Body
323	611118	1	Terminal
325B	37230	1	Wire Clip
325	36342	1	Wire Clip
346	36413	1	Fuel Pump Bracket
361	650969	2	Screw, 5/16-18 x 29/32"
381	650767	1	Screw, 8-32 x 27/64"
382	36328	1	Oil Strainer Screen
385	570673	1	Ball
386	36329	1	Pressure Relief Spring
387	37652	1	Cotter Pin
395	36795	1	Electric Starter Motor (12 Volt)
400	36567	1	* Gasket Set (Incl. items marked PK i n notes)
420	730225A	1	SAE 30 4-Cycle Engine Oil (Quart)
475	36563	1	Oil Filter
476	36374B	1	Oil Filter Adapter (Incl. 475, 476 & 477)
477	650978	2	Screw, T-30, 5/16-18 x 1-7/16"
479	36335	1	* Oil Filter Adapter Gasket



Ref #	Part Number	Qty	Description
	14 28277	2	Washer
	16 36346A	1	Governor Lever (Incl. 212A)
	17 29916	1	Governor Lever Clamp
	18 651028	1	Screw, T-15, 8-32 x 7/16"
	19 36414	1	Extension Spring
	28 30322	1	Lock Nut, 8-32
	35 29826	1	Screw, 10-32 x 3/4"
	36 29918	1	Lock Washer
	37 29216	1	Lock Nut, 10-32
	38 29642	1	Retaining Ring
	60B 650867	1	Screw, 10-24 x 1/2"
	60A 650273	1	Screw, 5-16/18 x 17/32"
	60C 650737	1	Screw, 1/4-20 x 1/2"
	92 651082	1	Lock Washer
	93 650594	1	Flywheel Nut
	110A 36917	1	Ground Wire
	178 650928	2	Lock Nut, 1/4-20
	182 650925A	2	Carburetor Mounting Stud
	184 36352	1	* Carburetor To Intake Pipe Gasket
	185 36852	1	Intake Pipe
	186A 36353	1	Choke Link
	186 36354	1	Governor Link
	200 36360	1	Control Bracket (Incl. 203,204,212A)
	203 36482	1	Compression Spring
	204 651019	1	Screw, T-10, 6-32 x 41/64"
	209 650902	2	Screw, 10-32 x 7/16"
	210 27793	1	Conduit Clip
	211 28942	1	Screw, 10-32 x 3/8"
	212A 36288	3	Bushing
	223 650975	2	Screw, T-30, 5/16-18 x 1-9/32"
	224 36490	1	* Intake Pipe Gasket
	228 650977	2	Air Cleaner Stud
	234 650825	2	Nut & Lock Washer, 1/4-20
	239 36358	1	* Air Cleaner Gasket
	240 36355	1	Air Cleaner Body (Incl. 228 & 239)
	245 36356	1	Air Cleaner Filter (Incl. 234)
	245A 36357	1	Air Cleaner Filter
	250 36359	1	Air Cleaner Cover
	251 650886	2	Wing Nut, 1/4-20
	252 650976	1	Screw, 1/4-20 x 19/32"
	260 36347	1	Blower Housing
	262 650737	3	Screw, 1/4-20 x 1/2"
	263 36367	1	Trim Ring
	265A 36615	1	Cylinder Head Cover
	286 36343	1	Cup & Screen
	290 29774	1	Fuel Line
	291 30705	1	Fuel Line
	291A 29774	1	Fuel Line
	292 26460	9	Fuel Line Clamp
	293 35787	1	Pulse Pump (Incl. 294)
	293A 650931	2	Screw, 8-32 x 1-1/2"
	296 34279B	1	Fuel Filter (Incl. 292)
	303 32958	1	Fuel Fitting
	315A 611185	1	Alternator Coil (16 Amp)(Incl. 322 & 323)
	326 36210	1	Screen Plug
	347 650949	3	Screw, 10-24 x 9/16"
	370 36261	1	Identification Decal
	370G 35274	1	Oil Instruction Decal

Ref #	Part Number	Qty	Description
380	640034A	1	Carburetor (Incl. 184 & 212A)
406A	36918	1	Solenoid Spring
406	611221	1	Fuel Shut-Off Solenoid
