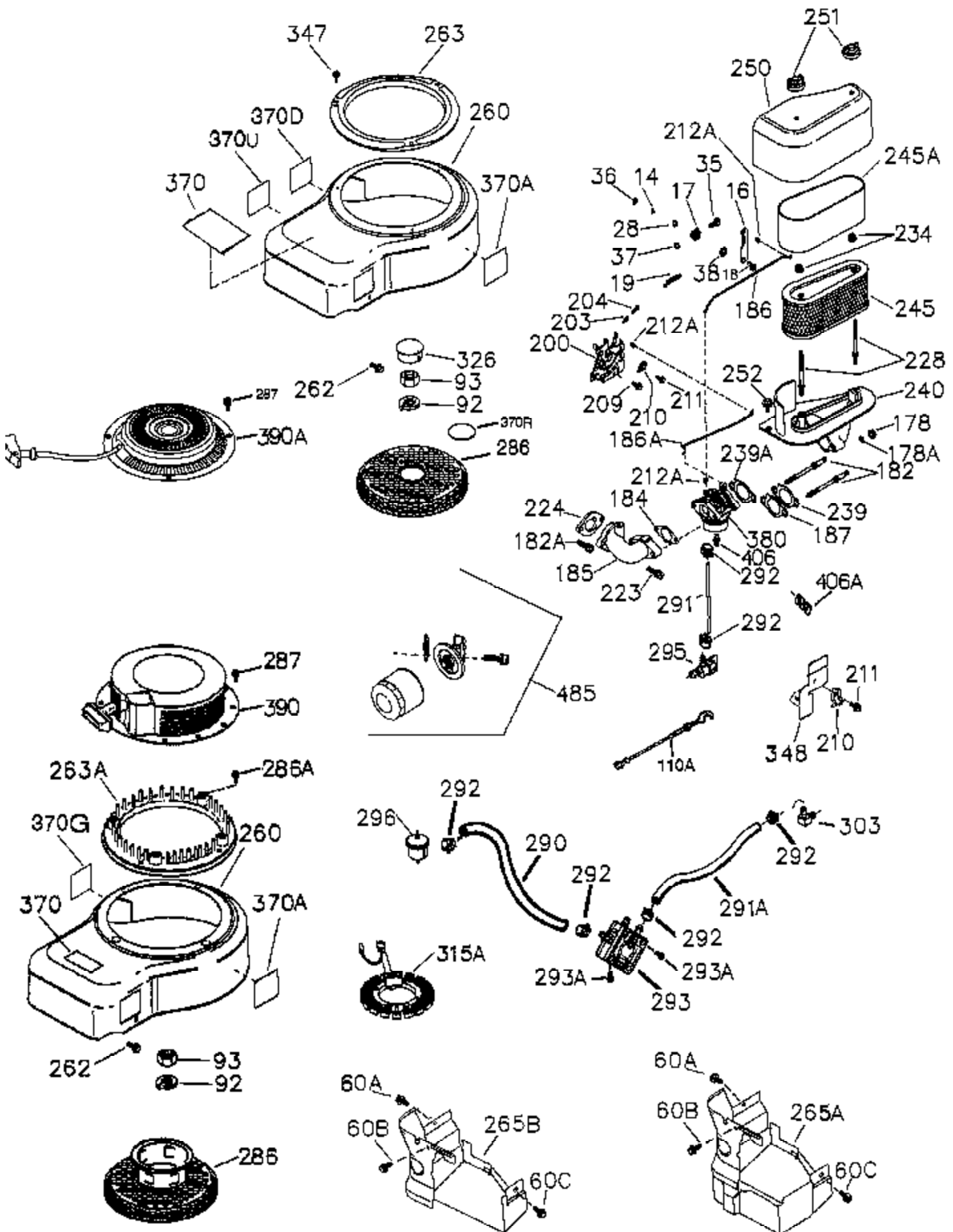




| Ref # | Part Number | Qty | Description                                      |
|-------|-------------|-----|--|
|       | 1 37525A    | 1   | Cylinder (Incl. 2,11B,20,72B & 314)              |
|       | 2 27652     | 2   | Dowel Pin  |
|       | 11B 650902  | 1   | Screw, 10-32 x 7/16"                             |
|       | 11A 36303   | 1   | Breather Plate                                   |
|       | 11 36302    | 1   | Check Valve                                      |
|       | 15 37754    | 1   | Governor Rod                                     |
|       | 20 36301    | 1   | Oil Seal   |
|       | 30 36308    | 1   | Crankshaft                                       |
|       | 31 36324    | 1   | Counterbalance Gear                              |
|       | 38 37109    | 1   | Retainer Ring                                    |
|       | 40 36312    | 1   | Piston, Pin & Ring Set (Std.)                    |
|       | 40 36313    | 1   | Piston, Pin & Ring Set (.010" OS)                |
|       | 40 36314    | 1   | Piston, Pin & Ring Set (.020" OS)                |
|       | 41 36309    | 1   | Piston & Pin Ass'y. (Std.) (Incl. 43)            |
|       | 41 36310    | 1   | Piston & Pin Ass'y. (.010" OS) (Incl. 43)        |
|       | 41 36311    | 1   | Piston & Pin Ass'y. (.020" OS) (Incl. 43)        |
|       | 42 36315    | 1   | Ring Set (Std.)                                  |
|       | 42 36316    | 1   | Ring Set (.010" OS)                              |
|       | 42 36317    | 1   | Ring Set (.020" OS)                              |
|       | 43 35772    | 2   | Piston Pin Retaining Ring                        |
|       | 45 36318A   | 1   | Connecting Rod Ass'y. (Incl. 46)                 |
|       | 45 36319A   | 1   | Connecting Rod Ass'y. (.010" US) (Incl. 46)      |
|       | 45 36320A   | 1   | Connecting Rod Ass'y. (.020" US) (Incl. 46)      |
|       | 46 651063   | 2   | Connecting Rod Bolts                             |
|       | 48 36321    | 2   | Valve Lifter                                     |
|       | 50 36533A   | 1   | Camshaft (MCR)                                   |
|       | 50A 730656  |     | Camshaft Repair Kit                              |
|       | 51 36323    | 1   | Counterbalance Weight                            |
|       | 52D 650888  | 3   | Screw, T-30, 1/4-20 x 43/64"                     |
|       | 52C 36334   | 1   | Oil Pump Cover (Incl. 52B)                       |
|       | 52B 36333   | 1   | * "O" Ring                                       |
|       | 52A 36331   | 1   | Oil Pump Shaft                                   |
|       | 52 37305    | 1   | Oil Pump Ass'y.                                  |
|       | 60A 650273  | 1   | Screw, 5/16-18 x 17/32"                          |
|       | 60B 650867  | 1   | Screw, 10-24 x 1/2"                              |
|       | 60 36361    | 1   | Air Baffle                                       |
|       | 65 30063    | 1   | Screw, T-30, 1/4-20 x 1/2"                       |
|       | 69 36565    | 1   | * Mounting Flange Gasket                         |
|       | 70 37304A   | 1   | Mounting Flange (Incl.72,72A,72B,75,8 0,381-387) |
|       | 72B 28534   | 4   | Oil Drain Plug                                   |
|       | 72A 28483   | 2   | Oil Drain Plug                                   |
|       | 75 36301    | 1   | Oil Seal   |
|       | 75A 510337  | 1   | Oil Seal (Governor Shaft)                        |
|       | 80 35712    | 1   | Governor Shaft                                   |
|       | 81 35479A   | 1   | Washer   |
|       | 81 35479A   | 2   | Washer   |
|       | 82 37756    | 1   | Governor Gear Ass'y.                             |
|       | 83 35322    | 1   | Governor Spool                                   |
|       | 84 29193    | 1   | Retaining Ring                                   |
|       | 86 650970   | 9   | Screw, 1/4-20 x 1-15/32"                         |
|       | 89 650592   | 1   | Flywheel Key                                     |
|       | 90 611243   | 1   | Flywheel (Incl. 91 & 91A)                        |
|       | 91 611241A  | 1   | Flywheel Fan                                     |
|       | 91A 611242  | 1   | Flywheel Retainer                                |
|       | 100 36344A  | 1   | Solid State Ignition (Incl. 101)                 |
|       | 101 610118  | 1   | Spark Plug Cover                                 |
|       | 102 651024  | 2   | Solid State Mounting Stud                        |
|       | 103 651007  | 2   | Screw, T-15, 10-24 x 15/16"                      |

| Ref # | Part Number | Qty | Description                                    |
|-------|-------------|-----|--|
| 110B  | 37824       | 1   | Solenoid Wire                                  |
| 110   | 36645       | 1   | Ground Wire & Terminal                         |
| 119   | 37493       | 1   | * Cylinder Head Gasket                         |
| 120   | 37757       | 1   | Cylinder Head (Incl. 119,151A & 270A)          |
| 125   | 35308       | 1   | Exhaust Valve (Std.)                           |
| 125   | 35433       | 1   | Exhaust Valve (1/32" OS)                       |
| 126   | 35309       | 1   | Intake Valve (Std.)                            |
| 127   | 650691      | 6   | Washer   |
| 128   | 650690      | 6   | Belleville Washer                              |
| 130   | 650946      | 6   | Screw, 5/16-18 x 2-45/64"                      |
| 135   | 34645       | 1   | Spark Plug (RN4C)                              |
| 150   | 33507       | 2   | Valve Spring                                   |
| 151   | 33508       | 2   | Valve Spring Keeper                            |
| 151A  | 40046       | 1   | Intake Valve Seal                              |
| 153   | 36339       | 1   | Push Rod Guide                                 |
| 154   | 651077      | 2   | Rocker Arm Stud                                |
| 155   | 35950       | 2   | Rocker Arm                                     |
| 156   | 730636      | 2   | Rocker Arm Bearing                             |
| 157A  | 650586      | 2   | Jam Nut, 5/16-24                               |
| 158   | 36340       | 2   | Push Rod                                       |
| 159   | 35952       | 1   | * Rocker Arm Cover Gasket                      |
| 160   | 35953A      | 1   | Rocker Arm Housing                             |
| 161   | 30063       | 4   | Screw, T-30, 1/4-20 x 1/2"                     |
| 169   | 36304       | 1   | * Breather Gasket                              |
| 172   | 36305       | 1   | Valve Cover                                    |
| 173   | 36306       | 1   | Breather Tube                                  |
| 174   | 30063       | 4   | Screw, T-30, 1/4-20 x 1/2"                     |
| 229   | 650825      | 2   | Nut & Lock Washer, 1/4-20                      |
| 265   | 36615       | 1   | Cylinder Head Cover                            |
| 269   | 36365       | 1   | * Exhaust Manifold Gasket                      |
| 270A  | 35829A      | 1   | Exhsust Port Liner                             |
| 305   | 36349       | 1   | Oil Fill Tube                                  |
| 306   | 37401       | 1   | * "O" Ring                                     |
| 307   | 35499       | 1   | "O" Ring                                       |
| 309   | 650974      | 1   | Screw, 1/4-20 x 57/64"                         |
| 310   | 36366       | 1   | Dipstick                                       |
| 314   | 651007      | 2   | Screw, T-15, 10-24 X 15/16"                    |
| 315   | 611280      | 1   | Alternator Coil (3/5 Split)(Incl. 321 - 323)   |
| 321   | 611161      | 1   | Diode  |
| 322   | 611281      | 1   | Connector Body                                 |
| 323   | 611282      | 2   | Terminal                                       |
| 325   | 36342       | 1   | Wire Clip                                      |
| 325B  | 37230       | 1   | Wire Clip                                      |
| 381   | 650767      | 1   | Screw, 8-32 x 27/64"                           |
| 382   | 36328       | 1   | Oil Strainer Screen                            |
| 385   | 570673      | 1   | Ball   |
| 386   | 36329       | 1   | Pressure Relief Spring                         |
| 387   | 37652       | 1   | Cotter Pin                                     |
| 396   | 36795       | 1   | Electric Starter Motor (Optional)              |
| 400   | 37496       | 1   | * Gasket Set (Incl. items marked PK i n notes) |
| 420   | 730225A     | 1   | SAE 30 4-Cycle Engine Oil (Quart)              |
| 475   | 36563       | 1   | Oil Filter                                     |
| 477   | 650978      | 2   | Screw, T-30, 5/16-18 x 1-7/16"                 |
| 479   | 36335       | 1   | * Oil Filer Adapter Gasket                     |



| Ref # | Part Number | Qty | Description                                  |
|-------|-------------|-----|--|
| 14    | 651052      | 1   | Washer                                       |
| 16    | 37758       | 1   | Governor Lever (Incl. 212A)                  |
| 17    | 29916       | 1   | Governor Lever Clamp                         |
| 18    | 651028      | 1   | Screw, T-15, 8-32 x 7/16"                    |
| 19    | 37766       | 1   | Extension Spring                             |
| 28    | 30322       | 1   | Lock Nut, 8-32                               |
| 35    | 29826       | 1   | Screw, 10-32 x 3/4"                          |
| 36    | 29918       | 1   | Lock Washer                                  |
| 37    | 29216       | 1   | Lock Nut, 10-32                              |
| 38    | 37109       | 1   | Retainer Ring                                |
| 60B   | 650867      | 1   | Screw, 10-24 x 1/2"                          |
| 60A   | 650273      | 1   | Screw, 5/16-18 x 17/32"                      |
| 60C   | 650737      | 1   | Screw, 1/4-20 x 1/2"                         |
| 92    | 651082      | 1   | Lock Washer                                  |
| 93    | 650594      | 1   | Flywheel Nut                                 |
| 110A  | 36917       | 1   | Ground Wire & Terminal                       |
| 110B  | 37824       | 1   | Solenoid Wire                                |
| 157A  | 650586      | 2   | Jam Nut, 5/16-24                             |
| 178   | 650928      | 2   | Lock Nut, 1/4-20                             |
| 182   | 650925A     | 2   | Carburetor Mounting Stud                     |
| 184   | 36352       | 1   | * Carburetor To Intake Pipe Gasket           |
| 185   | 37767       | 1   | Intake Pipe                                  |
| 186A  | 36353       | 1   | Choke Link                                   |
| 186   | 36354       | 1   | Governor Link                                |
| 200   | 36360       | 1   | Control Bracket (Incl. 203,204,212A)         |
| 203   | 36482       | 1   | Compression Spring                           |
| 204   | 651019      | 1   | Screw, T-10, 6-32 x 41/64"                   |
| 209   | 650902      | 2   | Screw, 10-32 x 7/16"                         |
| 210   | 27793       | 1   | Conduit Clip                                 |
| 211   | 28942       | 1   | Screw, 10-32 x 3/8"                          |
| 212A  | 36288       | 3   | Bushing                                      |
| 223   | 650975      | 2   | Screw, T-30, 5/16-18 x 1-9/32"               |
| 224   | 36490       | 1   | * Intake Spacer                              |
| 228   | 650977      | 2   | Air Cleaner Stud                             |
| 229   | 650825      | 2   | Nut & Lock Washer, 1/4-20                    |
| 239   | 36358       | 1   | * Air Cleaner Gasket                         |
| 240   | 36355       | 1   | Air Cleaner Body (Incl. 228 & 239)           |
| 245   | 36356       | 1   | Air Cleaner Filter (Incl. 229)               |
| 245A  | 36357       | 1   | Air Cleaner Filter                           |
| 250   | 36359       | 1   | Air Cleaner Cover                            |
| 251   | 650886      | 2   | Wing Nut, 1/4-20                             |
| 252   | 650976      | 1   | Screw, 1/4-20 x 19/32"                       |
| 260   | 36347       | 1   | Blower Housing                               |
| 262   | 650737      | 3   | Screw, 1/4-20 x 1/2"                         |
| 263   | 36367       | 1   | Trim Ring                                    |
| 286   | 36343       | 1   | Cup & Screen                                 |
| 291   | 30705       | 1   | Fuel Line                                    |
| 292   | 26460       | 2   | Fuel Line Clamp                              |
| 296   | 37768       | 1   | Fuel Filter (Incl. 292)                      |
| 326   | 36210       | 1   | Screen Plug                                  |
| 347   | 650949      | 3   | Screw, 10-24 x 9/16"                         |
| 370G  | 35274       | 1   | Oil Instruction Decal                        |
| 380   | 640330      | 1   | Carburetor (Incl. 184 & 212A)                |
| 396   | 36795       | 1   | Electric Starter Motor (Optional)            |
| 406A  | 36918       | 1   | Spring                                       |
| 406   | 611221      | 1   | Fuel Shut-Off Solenoid                       |
| 485   | 36374B      | 1   | Oil Filter Adapter Kit (Incl. 475,476 & 477) |