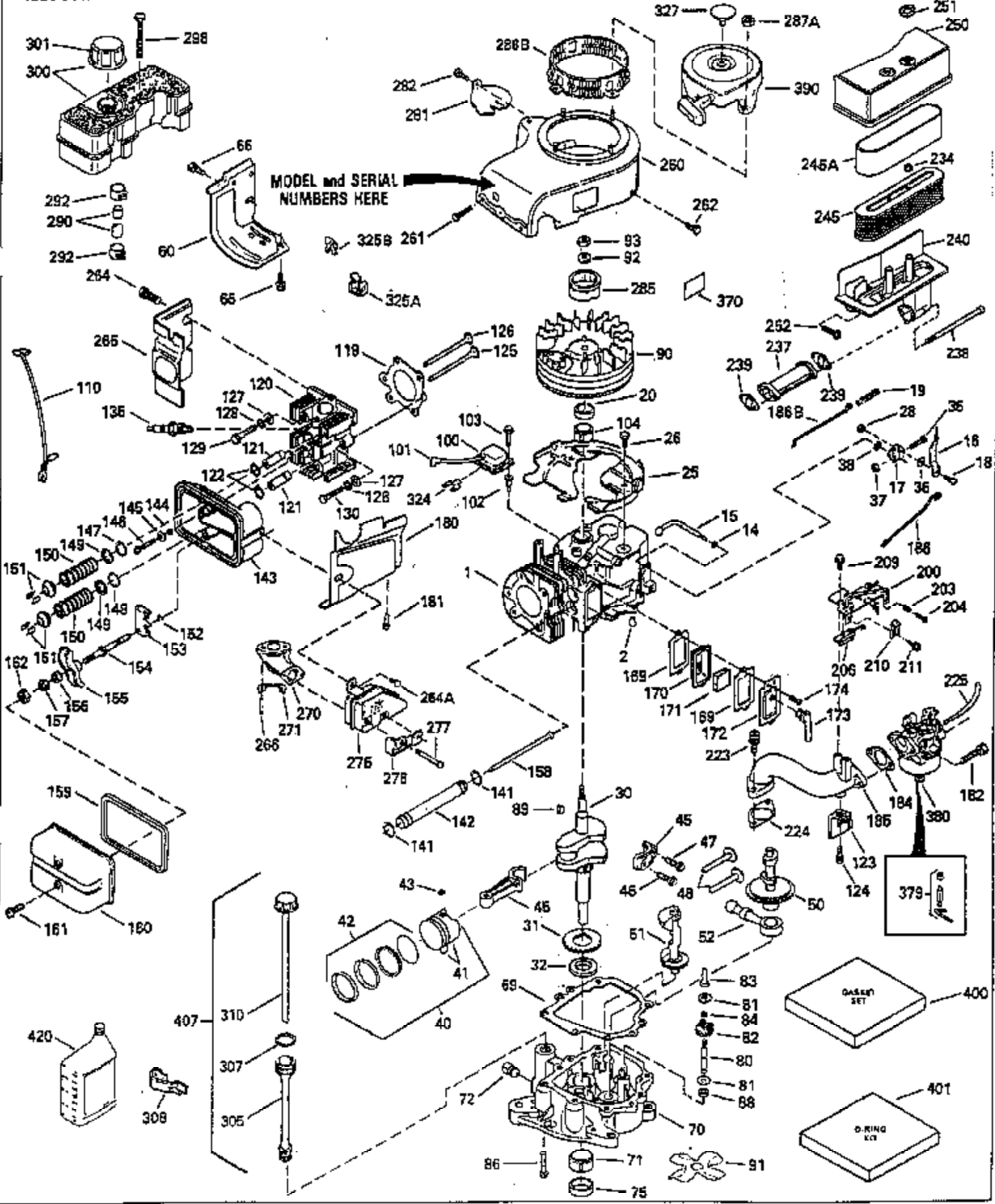


ILLUSTRATION SHOWS TYPICAL PARTS ONLY. ORDER BY PART NUMBER. PARTS NOT LISTED ARE SUPPLIED BY OEM.



| Ref # | Part Number | Qty | Description                               |
|-------|-------------|-----|---|
| 1     | 35323A      |     | Cylinder (Incl. 2 & 20)                   |
| 2     | 27652       |     | Dowel Pin                                 |
| 14    | 28277       |     | Washer                                    |
| 15    | 35324       |     | Governor Rod                              |
| 16    | 35520       |     | Governor Lever                            |
| 17    | 29916       |     | Governor Lever Clamp                      |
| 18    | 650548      |     | Screw, 8-32 x 5/16"                       |
| 19    | 35203       |     | Extension Spring                          |
| 20    | 35319       |     | Oil Seal                                  |
| 25    | 35326       |     | Blower Housing Baffle                     |
| 28    | 30322       |     | Lock Nut, 10-32                           |
| 30    | 35336A      |     | Crankshaft                                |
| 31    | 35327       |     | Counterbalance Gear                       |
| 32    | 35653       |     | Shim Washer (.015") (Use as required)     |
| 35    | 29826       |     | Screw, 10-32 x 3/4"                       |
| 36    | 29918       |     | Lock Washer                               |
| 37    | 29216       |     | Lock Nut, 10-32                           |
| 38    | 29642       |     | Retaining Ring                            |
| 40    | 35339A      |     | Piston, Pin & Ring Set (Std.)             |
| 40    | 35340A      |     | Piston, Pin & Ring Set (.010" OS)         |
| 40    | 35341A      |     | Piston, Pin & Ring Set (.020" OS)         |
| 41    | 35329       |     | Piston & Pin Ass'y. (Std.) (Incl. 43)     |
| 41    | 35430       |     | Piston & Pin Ass'y. (.010" OS) (Incl. 43) |
| 41    | 35431       |     | Piston & Pin Ass'y. (.020" OS) (Incl. 43) |
| 42    | 34866A      |     | Ring Set (Std.)                           |
| 42    | 34867A      |     | Ring Set (.010" OS)                       |
| 42    | 35868A      |     | Ring Set (.020" OS)                       |
| 43    | 31919       |     | Piston Pin Retaining Ring                 |
| 45    | 35330A      |     | Connecting Rod Ass'y. (Incl. 46 & 47)     |
| 46    | 650908      |     | Connecting Rod Bolt                       |
| 47    | 650882      |     | Connecting Rod Bolt                       |
| 48    | 35313       |     | Valve Lifter                              |
| 50    | 35314       |     | Camshaft (MCR)                            |
| 51    | 35315A      |     | Counterbalance Weight                     |
| 52    | 31356       |     | Oil Pump Ass'y.                           |
| 60    | 35316       |     | Blower Housing Extension                  |
| 64    | 30063       |     | Screw, Torx T-30, 1/4-20"                 |
| 65    | 650128      |     | Screw, 10-24 1/2"                         |
| 66    | 30063       |     | Screw, Torx T-30, 1/4-20"                 |
| 69    | 35317       |     | * Flange Gasket                           |
| 70    | 35318A      |     | Mounting Flange                           |
| 72    | 31927       |     | Oil Drain Plug                            |
| 75    | 35319       |     | Oil Seal                                  |
| 80    | 35320       |     | Governor Shaft                            |
| 81    | 35479       |     | Washer                                    |
| 82    | 35321       |     | Governor Gear Ass'y.                      |
| 83    | 35322       |     | Governor Spool                            |
| 84    | 29193       |     | Retaining Ring                            |
| 86    | 650833      |     | Screw, 1/4-20 x 1-3/16"                   |
| 88    | 31707A      |     | Spacer (Incl. 81)                         |
| 89    | 32589       |     | Flywheel Key                              |
| 90    | 611094      |     | Flywheel                                  |
| 92    | 650880      |     | Lock Washer                               |
| 93    | 650881      |     | Flywheel Nut                              |
| 100   | 35135       |     | Solid State Ignition                      |
| 101   | 610118      |     | Spark Plug Cover                          |
| 102   | 650872      |     | Solid State Mounting Stud                 |
| 103   | 650814      |     | Screw, Torx T-15, 10-24 x 1"              |

| Ref # | Part Number | Qty | Description                                      |
|-------|-------------|-----|--|
| 110   | 35183       |     | Ground Wire                                      |
| 119   | 35306A      |     | * Cylinder Head Gasket                           |
| 120   | 35307       |     | Cylinder Head                                    |
| 121   | 730218      |     | Valve Guide Kit (Incl. 2 of No. 122)             |
| 122   | 792035      |     | Retaining Ring                                   |
| 123   | 35288       |     | Intake Pipe Brace                                |
| 124   | 650738      |     | Screw, 1/4-20 x 5/8"                             |
| 125   | 35308       |     | Exhaust Valve (Std.)                             |
| 125   | 35433       |     | Exhaust Valve (1/32" OS)                         |
| 126   | 35309       |     | Intake Valve (Std.)                              |
| 126   | 35432       |     | Intake Valve (1/32" OS)                          |
| 127   | 650691      |     | Washer   |
| 128   | 650690      |     | Belleville Washer                                |
| 129   | 650746      |     | Screw, 5/16-18 x 1-3/8"                          |
| 130   | 650692      |     | Screw, 5/16-18 x 1-3/4"                          |
| 131   | 30063       |     | Screw, Torx T-30, 1/4-20 x 1/2"                  |
| 135   | 34046       |     | Resistor Spark Plug (RL-86C)                     |
| 141   | 33481       |     | * "O" Ring (Also Incl. in 401)                   |
| 142   | 35475       |     | Push Rod Tube                                    |
| 143   | 35310       |     | Rocker Arm Housing                               |
| 144   | 33484       |     | * "O"Ring (Also Incl. in 401)                    |
| 145   | 650168      |     | Washer   |
| 146   | 32610A      |     | Screw, 1/4-20 x 29/32"                           |
| 147   | 33509       |     | * "O" Ring (Also Incl. in 401)                   |
| 148   | 34410       |     | * "O" Ring (Also Incl. in 401)                   |
| 149   | 33510       |     | Valve Spring Cap                                 |
| 150   | 33507       |     | Valve Spring                                     |
| 151   | 33508       |     | Valve Spring Keeper                              |
| 152   | 35295       |     | * "O" Ring (Also Incl. in 401)                   |
| 153   | 35296       |     | Push Rod Guide                                   |
| 154   | 650878      |     | Rocker Arm Stud                                  |
| 155   | 35297       |     | Rocker Arm                                       |
| 156   | 35298       |     | Rocker Arm Bearing                               |
| 157   | 28264       |     | * Lock Nut (Incl.162)(Also Incl.in 401)          |
| 158   | 33471       |     | Push Rod   |
| 159   | 35299B      |     | * "O" Ring (Incl.2 of No.161)(Also Incl .in 401) |
| 160   | 35300       |     | Rocker Arm Housing                               |
| 161   | 650879      |     | Screw, Torx T-20, 8-32 x 1/2"                    |
| 162   | 650903      |     | * Jam Nut (Also Incl. in 401)                    |
| 169   | 27896A      |     | * Valve Cover Gasket                             |
| 170   | 28423       |     | Breather Body                                    |
| 171   | 28424       |     | Breather Element                                 |
| 172   | 28425       |     | Valve Cover                                      |
| 173   | 35350       |     | Breather Tube                                    |
| 174   | 650128      |     | Screw, 10-24 x 1/2"                              |
| 180   | 35301       |     | Blower Housing Extension                         |
| 181   | 650128      |     | Screw, 10-24 x 1/2"                              |
| 182   | 650517      |     | Screw, 1/4-20 x 27/32"                           |
| 184   | 33263       |     | * Carburetor To Intake Pipe Gasket               |
| 185   | 35304       |     | Intake Pipe                                      |
| 186   | 35522       |     | Governor Link                                    |
| 186B  | 35346       |     | Governor Link Spring                             |
| 200   | 34109A      |     | Control Bracket (Incl. 203 & 204)                |
| 203   | 31342       |     | Compression Spring                               |
| 204   | 650549      |     | Screw, 5-40 x 7/16"                              |
| 210   | 27793       |     | Conduit Clip                                     |
| 211   | 28942       |     | Screw, 10-32 x 3/8"                              |
| 223   | 792028      |     | Screw, 5/16-18 x 7/8"                            |

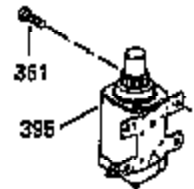
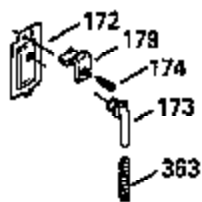
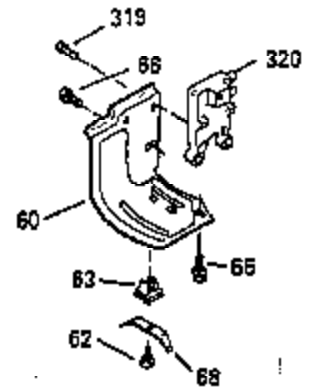
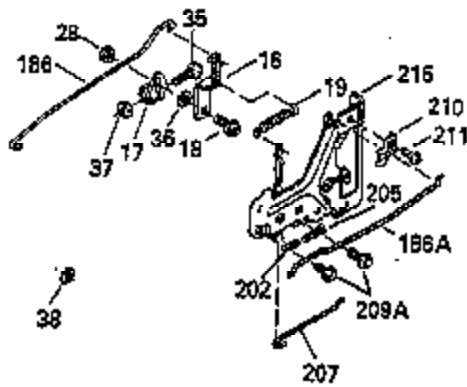
| Ref # | Part Number | Qty | Description   |
|-------|-------------|-----|---|
| 224   | 33515A      |     | * Intake Pipe Gasket  |
| 225   | 35043       |     | Carburetor Tube   |
| 237   | 35286       |     | Air Cleaner Adapter   |
| 239A  | 34912       |     | * Air Cleaner Gasket To Blower Housing  |
| 239   | 33629       |     | * Air Cleaner Gasket  |
| 243   | 650875      |     | Screw, 10-32 x 5-1/4"   |
| 245   | 35108       |     | Air Cleaner Filter  |
| 262   | 29747B      |     | Screw, Torx T-40, 5/16-24 x 21/32"  |
| 264   | 650273      |     | Screw, 5/16-18 x 5/8"   |
| 265   | 35290       |     | Cylinder Head Cover   |
| 275   | 35409       |     | Muffler   |
| 290   | 30705       |     | Fuel Line   |
| 292   | 26460       |     | Fuel Line Clamp   |
| 305   | 35574       |     | Oil Fill Tube   |
| 307   | 35499       |     | "O" Ring  |
| 308   | 33997       |     | Fill Tube Clip  |
| 310   | 35576       |     | Dipstick  |
| 325   | 34246       |     | Wire Clip   |
| 327   | 34113       |     | Starter Plug  |
| 370   | 34346       |     | Instruction Decal   |
| 380   | 632413      |     | Carburetor (Incl. 184)  |
| 400   | 35331B      |     | * Gasket Set (Incl. items marked PK i n notes) Incl. (1)<br>27272A,(2) 27896A, (2) 28264, (1) 33263, (4) 33481, (1)<br>33484, (1) 33509, (1) 33515A, (2) 33629, (1) 34410, (1)<br>34912, (2) 35295, (1) 35299B,(1) 35306A, (1) 35317, (1)<br>35683, (2) 35762 |
| 401   | 35332       |     | * "O"Ring Kit (Also Included in 400) (2) 28264, (4) 33481, (1)<br>33484, (1) 33509, (1) 34410, (2) 35295, (1) 35299B  |
| 407   | 35837       |     | Fill Tube & Dipstick Ass'y.   |
| 420   | 730225      |     | SAE 30 4-Cycle Engine Oil (Quart)   |

ILLUSTRATION SHOWS TYPICAL PARTS ONLY. ORDER BY PART NUMBER. PARTS NOT LISTED ARE SUPPLIED BY OEM. .

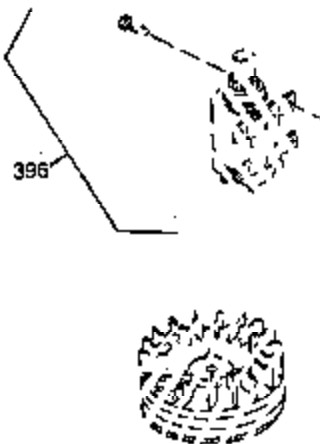


| Ref # | Part Number | Qty | Description                            |
|-------|-------------|-----|--|
|       | 64 30063    |     | Screw, Torx T-30, 1/4-20"              |
|       | 131 30063   |     | Screw, Torx T-30, 1/4-20 x 1/2"        |
|       | 239A 34912  |     | * Air Cleaner Gasket To Blower Housing |
|       | 240A 34909  |     | Air Cleaner Body                       |
|       | 243 650875  |     | Screw, 10-32 x 5-1/4"                  |
|       | 245 35108   |     | Air Cleaner Filter                     |
|       | 245B 34910  |     | Air Cleaner Filter                     |
|       | 250A 34911  |     | Air Cleaner Cover                      |
|       | 252A 650784 |     | Screw, 10-24 x 11/16"                  |
|       | 260B 35338A |     | Blower Housing                         |
|       | 262 29747B  |     | Screw, Torx T-40, 5/16-24 x 21/32"     |
|       | 285A 35411  |     | Starter Screen                         |
|       | 287 XXXXX   |     | Pop Rivet (Can Be Purchased Locally)   |
|       | 290 30705   |     | Fuel Line                              |
|       | 292 26460   |     | Fuel Line Clamp                        |
|       | 296 34279B  |     | Fuel Filter (Incl. 292)                |
|       | 308A 35437  |     | Fill Tube Clip                         |
|       | 325 34246   |     | Wire Clip                              |
|       | 327 34113   |     | Starter Plug                           |
|       | 380 632413  |     | Carburetor (Incl. 184)                 |

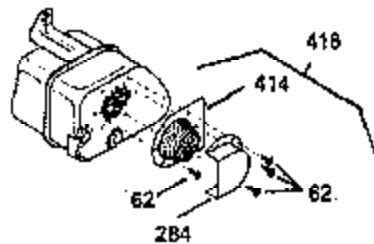
ILLUSTRATION SHOWS TYPICAL PARTS ONLY. ORDER BY PART NUMBER. PARTS NOT LISTED ARE SUPPLIED BY OEM.



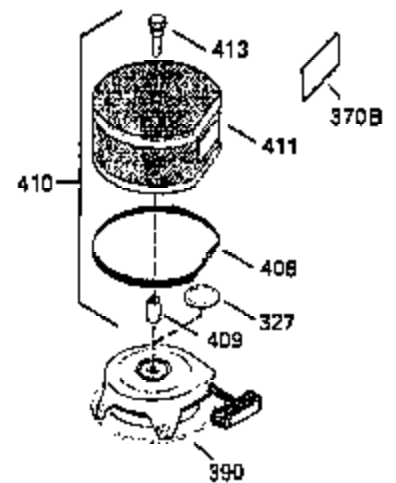
**OPTIONAL ELECTRIC STARTER MOTOR**



**OPTIONAL SPARK ARRESTOR**



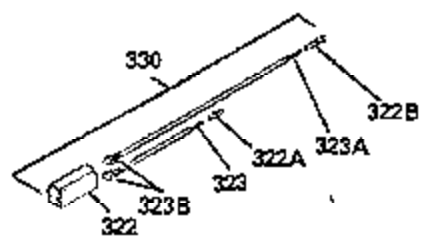
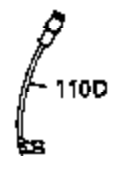
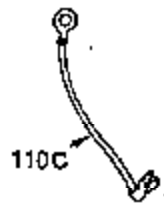
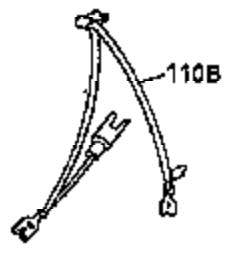
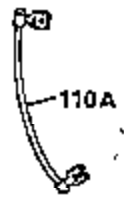
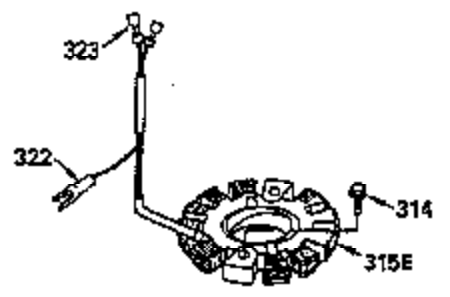
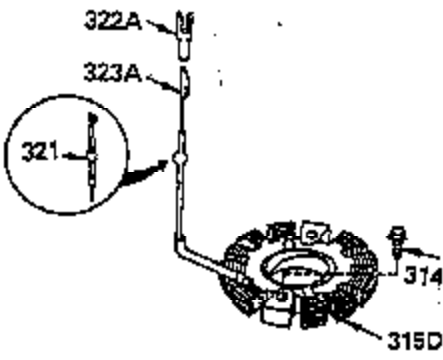
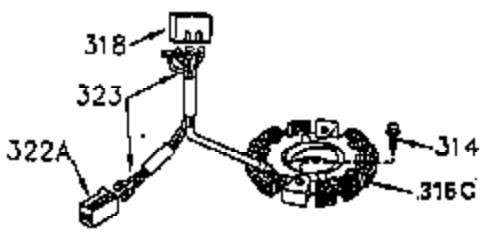
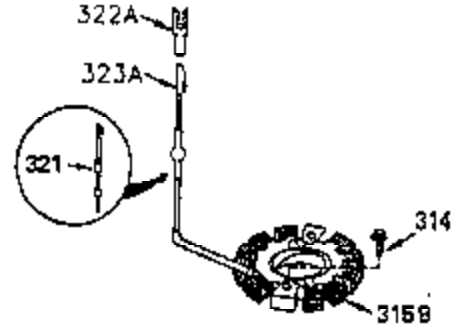
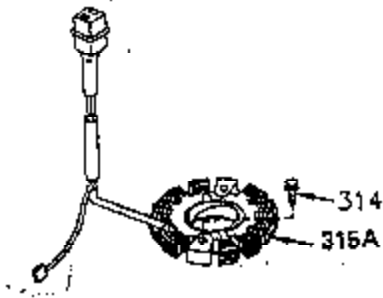
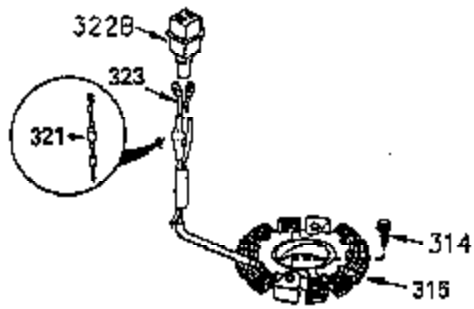
**OPTIONAL DEBRIS SCREEN**



| Ref # | Part Number | Qty | Description                            |
|-------|-------------|-----|--|
| 16    | 35520       |     | Governor Lever                         |
| 17    | 29916       |     | Governor Lever Clamp                   |
| 18    | 650548      |     | Screw, 8-32 x 5/16"                    |
| 19    | 35203       |     | Extension Spring                       |
| 28    | 30322       |     | Lock Nut, 10-32                        |
| 35    | 29826       |     | Screw, 10-32 x 3/4"                    |
| 36    | 29918       |     | Lock Washer                            |
| 37    | 29216       |     | Lock Nut, 10-32                        |
| 38    | 29642       |     | Retaining Ring                         |
| 60    | 35316       |     | Blower Housing Extension               |
| 62    | 650760      |     | Screw, 8-32 x 3/8"                     |
| 63    | 28545       |     | Grommet                                |
| 64    | 30063       |     | Screw, Torx T-30, 1/4-20"              |
| 65    | 650128      |     | Screw, 10-24 1/2"                      |
| 66    | 30063       |     | Screw, Torx T-30, 1/4-20"              |
| 68    | 33356       |     | Ground Terminal                        |
| 131   | 30063       |     | Screw, Torx T-30, 1/4-20 x 1/2"        |
| 172   | 28425       |     | Valve Cover                            |
| 173   | 35350       |     | Breather Tube                          |
| 174   | 650128      |     | Screw, 10-24 x 1/2"                    |
| 182   | 650517      |     | Screw, 1/4-20 x 27/32"                 |
| 186   | 35522       |     | Governor Link                          |
| 209A  | 30200       |     | Screw, 10-24 x 9/16"                   |
| 210   | 27793       |     | Conduit Clip                           |
| 211   | 28942       |     | Screw, 10-32 x 3/8"                    |
| 239A  | 34912       |     | * Air Cleaner Gasket To Blower Housing |
| 243   | 650875      |     | Screw, 10-32 x 5-1/4"                  |
| 325   | 34246       |     | Wire Clip                              |
| 327   | 34113       |     | Starter Plug                           |
| 361   | 30063       |     | Screw, TorxT-30, 1/4-20 x 1/2"         |
| 380   | 632413      |     | Carburetor (Incl. 184)                 |



ILLUSTRATION SHOWS TYPICAL PARTS ONLY. ORDER BY PART NUMBER. PARTS NOT LISTED ARE SUPPLIED BY OEM.



| Ref # | Part Number | Qty | Description                                     |
|-------|-------------|-----|---|
| 64    | 30063       |     | Screw, Torx T-30, 1/4-20"                       |
| 131   | 30063       |     | Screw, Torx T-30, 1/4-20 x 1/2"                 |
| 239A  | 34912       |     | * Air Cleaner Gasket To Blower Housing          |
| 243   | 650875      |     | Screw, 10-32 x 5-1/4"                           |
| 314   | 650873      |     | Screw, 1/4-20 x 3/4"                            |
| 315   | 611104      |     | Alternator Coil (3/5 Split) (Incl.321 ,322&323) |
| 321   | 611161      |     | Diode   |
| 322   | 611142      |     | Connector Body                                  |
| 323   | 611118      |     | Terminal  |
| 325   | 34246       |     | Wire Clip                                       |