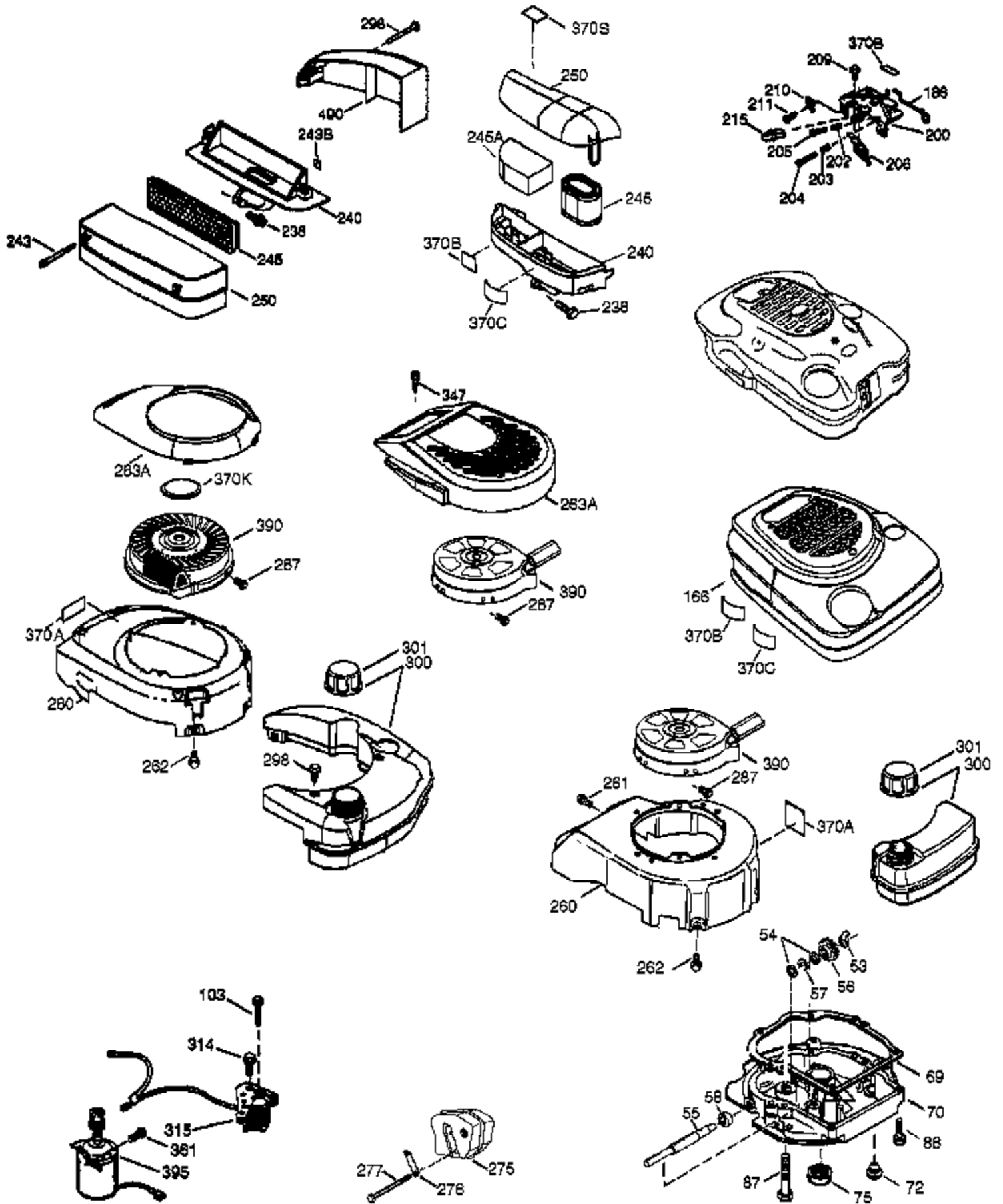


| Ref # | Part Number | Qty | Description                               |
|-------|-------------|-----|---|
|       | 1 36835B    | 1   | Cylinder (Incl. 2 & 20)                   |
|       | 2 26727     | 2   | Dowel Pin                                 |
|       | 6 33734     | 1   | Breather Element                          |
|       | 7 36557     | 1   | Breather Ass'y. (Incl. 6 & 12A)           |
| 12A   | 36558       | 1   | Breather Cover & Tube                     |
| 12    | 36775       | 1   | Breather Tube                             |
| 12B   | 36694       | 1   | Breather Fitting                          |
| 14    | 28277       | 1   | Washer                                    |
| 15    | 30589       | 1   | Governor Rod (Incl. 14)                   |
| 16    | 34839A      | 1   | Governor Lever                            |
| 17    | 31335       | 1   | Governor Lever Clamp                      |
| 18    | 651018      | 1   | Screw, T-15, 8-32 x 19/64"                |
| 19    | 36281       | 1   | Extension Spring                          |
| 20    | 32600       | 1   | Oil Seal                                  |
| 30    | 37506       | 1   | Crankshaft                                |
| 40    | 35544A      | 1   | Piston, Pin & Ring Set (Std.)             |
| 40    | 35545A      | 1   | Piston, Pin & Ring Set (.010" OS)         |
| 40    | 35546       | 1   | Piston, Pin & Ring Set (.020" OS)         |
| 41    | 35541       | 1   | Piston & Pin Ass'y. (Std.)                |
| 41    | 35542       | 1   | Piston & Pin Ass'y. (.010" OS) (Incl. 43) |
| 41    | 35543       | 1   | Piston & Pin Ass'y. (.020" OS) (Incl. 43) |
| 42    | 35547A      | 1   | Ring Set (Std.)                           |
| 42    | 35548A      | 1   | Ring Set (.010" OS)                       |
| 42    | 35549       | 1   | Ring Set (.020" OS)                       |
| 43    | 20381       | 2   | Piston Pin Retaining Ring                 |
| 45    | 32875A      | 1   | Connecting Rod Ass'y. (Incl. 46)          |
| 46    | 32610A      | 2   | Connecting Rod Bolt                       |
| 48    | 35616       | 2   | Valve Lifter                              |
| 50    | 37473       | 1   | Camshaft (Exhaust MCR)(Inc. Ref 104)      |
| 52    | 29914       | 1   | Oil Pump Ass'y.                           |
| 69    | 37609       | 1   | * Mounting Flange Gasket                  |
| 70    | 37608       | 1   | Mounting Flange (Incl. 72 thru 83)        |
| 72    | 37614       | 1   | Oil Drain Plug                            |
| 75    | 27897       | 1   | Oil Seal                                  |
| 80    | 30574A      | 1   | Governor Shaft                            |
| 81    | 30590A      | 1   | Washer                                    |
| 82    | 30591       | 1   | Governor Gear Ass'y. (Incl. 81)           |
| 83    | 30588A      | 1   | Governor Spool                            |
| 89    | 611004      | 1   | Flywheel Key                              |
| 90    | 611112      | 1   | Flywheel                                  |
| 92    | 650815      | 1   | Belleville Washer                         |
| 93    | 650816      | 1   | Flywheel Nut                              |
| 100   | 34443C      | 1   | Solid State Ignition                      |
| 101   | 610118      | 1   | Spark Plug Cover                          |
| 103   | 651007      | 2   | Screw, T-15, 10-24 x 15/16"               |
| 104   | 37480       | 1   | Cam Bushing                               |
| 110   | 37047       | 1   | Ground Wire                               |
| 119   | 36738       | 1   | * Cylinder Head Gasket                    |
| 120   | 37474       | 1   | Cylinder Head                             |
| 125   | 36471       | 1   | Exhaust Valve (Std.) (Incl. 151)          |
| 125   | 36472       | 1   | Exhaust Valve (1/32" OS) (Incl. 151)      |
| 126   | 37711       | 1   | Intake Valve (Std.) (Incl. 151)           |
| 130   | 650912      | 4   | Screw, 5/16-18 x 1-1/2"                   |
| 130A  | 650999      | 1   | Screw, 5/16-18 x 2-41/64"                 |
| 135   | 37599       | 1   | Resistor Spark Plug (RN4C)                |
| 150   | 31672       | 2   | Valve Spring                              |
| 151A  | 40016A      | 1   | Valve Seal                                |
| 151   | 31673       | 2   | Valve Spring Cap                          |

| Ref # | Part Number | Qty | Description                          |
|-------|-------------|-----|--------------------------------------|
| 153   | 36649       | 1   | Push Rod Guide                       |
| 154   | 650913      | 1   | Rocker Arm Stud                      |
| 155   | 35624A      | 1   | Rocker Arm                           |
| 157   | 650914      | 1   | Lock Nut                             |
| 158   | 36629       | 2   | Push Rod                             |
| 159   | 35626       | 1   | * Rocker Arm Cover Gasket            |
| 160   | 35718       | 1   | Rocker Arm Cover (Chrome)            |
| 161   | 30063       | 4   | Screw, T-30, 1/4-20 x 1/2"           |
| 166   | 37636       | 1   | Engine Shroud                        |
| 178   | 29752       | 2   | Nut & Lock Washer, 1/4-28            |
| 182   | 30088A      | 2   | Screw, 1/4-28 x 1"                   |
| 184   | 26756       | 1   | * Carburetor Gasket                  |
| 185   | 36579       | 1   | Intake Pipe (Incl. 223 & 224)        |
| 186   | 34337       | 1   | Governor Link                        |
| 187   | 36580       | 1   | Spacer                               |
| 189   | 650839      | 2   | Screw, 1/4-20 x 3/8"                 |
| 191   | 36559A      | 1   | Brake Bracket SE (Inc. 195)          |
| 195   | 610973      | 1   | Terminal                             |
| 200   | 35727       | 1   | Control Bracket (Incl. 202 thru 206) |
| 207   | 34336       | 1   | Throttle Link                        |
| 209   | 30200       | 2   | Screw, 10-24 x 9/16"                 |
| 215   | 32410       | 1   | Control Knob                         |
| 223   | 651044      | 1   | Screw, 1/4-20 x 2-25/32"             |
| 223A  | 651043      | 1   | Screw, 1/4-20 x 1-31/64"             |
| 224   | 36581       | 2   | * Intake Pipe Gasket                 |
| 238   | 650932      | 2   | Screw, 10-32 x 34/64"                |
| 239   | 34338       | 1   | * Air Cleaner Gasket                 |
| 241   | 36919       | 1   | Air Cleaner Collar                   |
| 243   | 650898A     | 3   | Screw, 10-32 x 27/32"                |
| 245   | 36905       | 1   | Air Cleaner Filter                   |
| 250   | 37122       | 1   | Air Cleaner Cover                    |
| 260   | 37635       | 1   | Blower Housing                       |
| 262   | 650831      | 2   | Screw, 1/4-20 x 1/2"                 |
| 275   | 36950A      | 1   | Muffler (Incl. 276 & 277)            |
| 276   | 36949       | 1   | Locking Plate                        |
| 277   | 651039      | 2   | Screw, 1/4-20 x 2-47/64"             |
| 285   | 35000A      | 1   | Starter Cup                          |
| 287   | 650926      | 2   | Screw, 8-32 x 21/64"                 |
| 290   | 34357       | 1   | Fuel Line                            |
| 292   | 26460       | 2   | Fuel Line Clamp                      |
| 292   | 26460       | 2   | Fuel Line Clamp                      |
| 300   | 35586       | 1   | Fuel Tank (Incl. 292 & 301)          |
| 301   | 36246       | 1   | Fuel Cap                             |
| 305   | 35498       | 1   | Oil Fill Tube                        |
| 306   | 37610       | 1   | * "O"-Ring                           |
| 307   | 35499       | 1   | "O"-Ring                             |
| 309A  | 650783      | 1   | Screw, 10-24 x 3/4"                  |
| 309   | 650562      | 1   | Screw, 10-32 x 1/2"                  |
| 310   | 35611       | 1   | Dipstick                             |
| 311A  | 37611       | 1   | Hold Down Bracket                    |
| 313   | 34080       | 1   | Spacer                               |
| 370D  | 35977       | 1   | Instruction Decal (Caution)          |
| 370C  | 37318       | 1   | Primer Decal (3X)                    |
| 370B  | 35167       | 1   | Control Decal                        |
| 370A  | 36261       | 2   | Lubrication Decal                    |
| 380   | 640272      | 1   | Carburetor (Incl. 184)               |

| Ref # | Part Number | Qty | Description   |
|-------|-------------|-----|---|
| 390   | 590739      | 1   | Rewind Starter (NOTE: This engine could have been built with 590702 starter). |
| 400   | 37617       | 1   | * Gasket Set (Incl. items marked PK in notes.)                                |
| 420   | 730225A     | 1   | SAE 30 4-Cycle Engine Oil (Quart)   |



| Ref # | Part Number | Qty | Description   |
|-------|-------------|-----|---|
| 46    | 32610A      | 2   | Connecting Rod Bolt   |
| 69    | 37609       | 1   | * Mounting Flange Gasket  |
| 70    | 37608       | 1   | Mounting Flange (Incl. 72 thru 83)  |
| 72    | 37614       | 1   | Oil Drain Plug  |
| 75    | 27897       | 1   | Oil Seal  |
| 86    | 650488      | 6   | Screw, 1/4-20 x 1-1/4"  |
| 103   | 651007      | 2   | Screw, T-15, 10-24 x 15/16"   |
| 166   | 37636       | 1   | Engine Shroud   |
| 186   | 34337       | 1   | Governor Link   |
| 200   | 35727       | 1   | Control Bracket (Incl. 202 thru 206)  |
| 202   | 36482       | 1   | Compression Spring  |
| 203   | 31342       | 1   | Compression Spring  |
| 204   | 651029      | 1   | Screw, T-10, 5-40 x 7/16"   |
| 205   | 651019      | 1   | Screw, T-10, 6-32 x 41/64"  |
| 206   | 610973      | 1   | Terminal  |
| 209   | 30200       | 2   | Screw, 10-24 x 9/16"  |
| 215   | 32410       | 1   | Control Knob  |
| 238   | 650932      | 2   | Screw, 10-32 x 34/64"   |
| 243   | 650898A     | 3   | Screw, 10-32 x 27/32"   |
| 245   | 36905       | 1   | Air Cleaner Filter  |
| 250   | 37122       | 1   | Air Cleaner Cover   |
| 260   | 37635       | 1   | Blower Housing  |
| 262   | 650831      | 2   | Screw, 1/4-20 x 1/2"  |
| 275   | 36950A      | 1   | Muffler (Incl. 276 & 277)   |
| 276   | 36949       | 1   | Locking Plate   |
| 277   | 651039      | 2   | Screw, 1/4-20 x 2-47/64"  |
| 287   | 650926      | 2   | Screw, 8-32 x 21/64"  |
| 300   | 35586       | 1   | Fuel Tank (Incl. 292 & 301)   |
| 301   | 36246       | 1   | Fuel Cap  |
| 370A  | 36261       | 2   | Lubrication Decal   |
| 370B  | 35167       | 1   | Control Decal   |
| 370C  | 37318       | 1   | Primer Decal (3X)   |
| 390   | 590739      | 1   | Rewind Starter (NOTE: This engine could have been built with 590702 starter). |