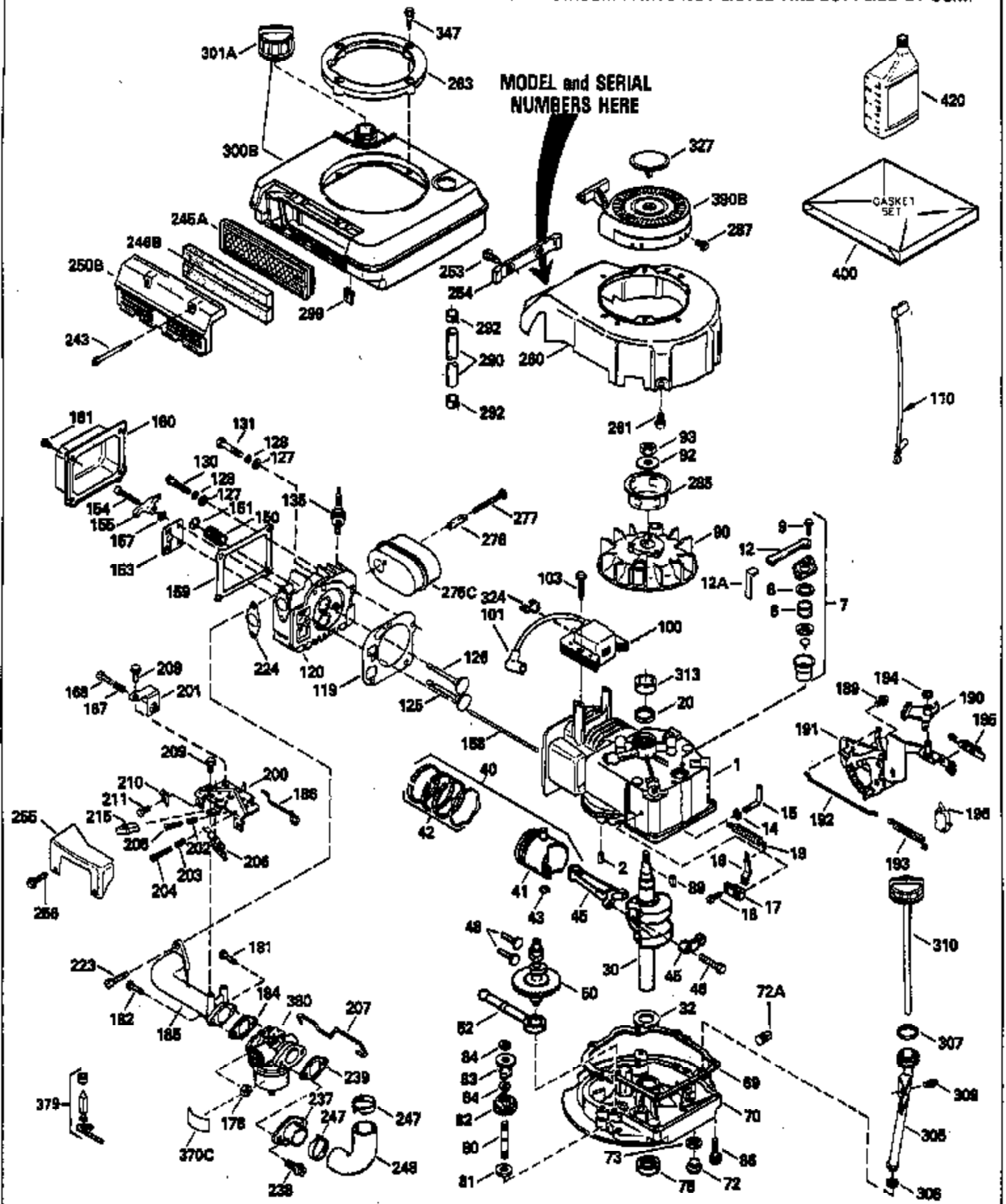


ILLUSTRATION SHOWS TYPICAL PARTS ONLY. ORDER BY PART NUMBER. PARTS NOT LISTED ARE SUPPLIED BY OEM.

MODEL and SERIAL
NUMBERS HERE

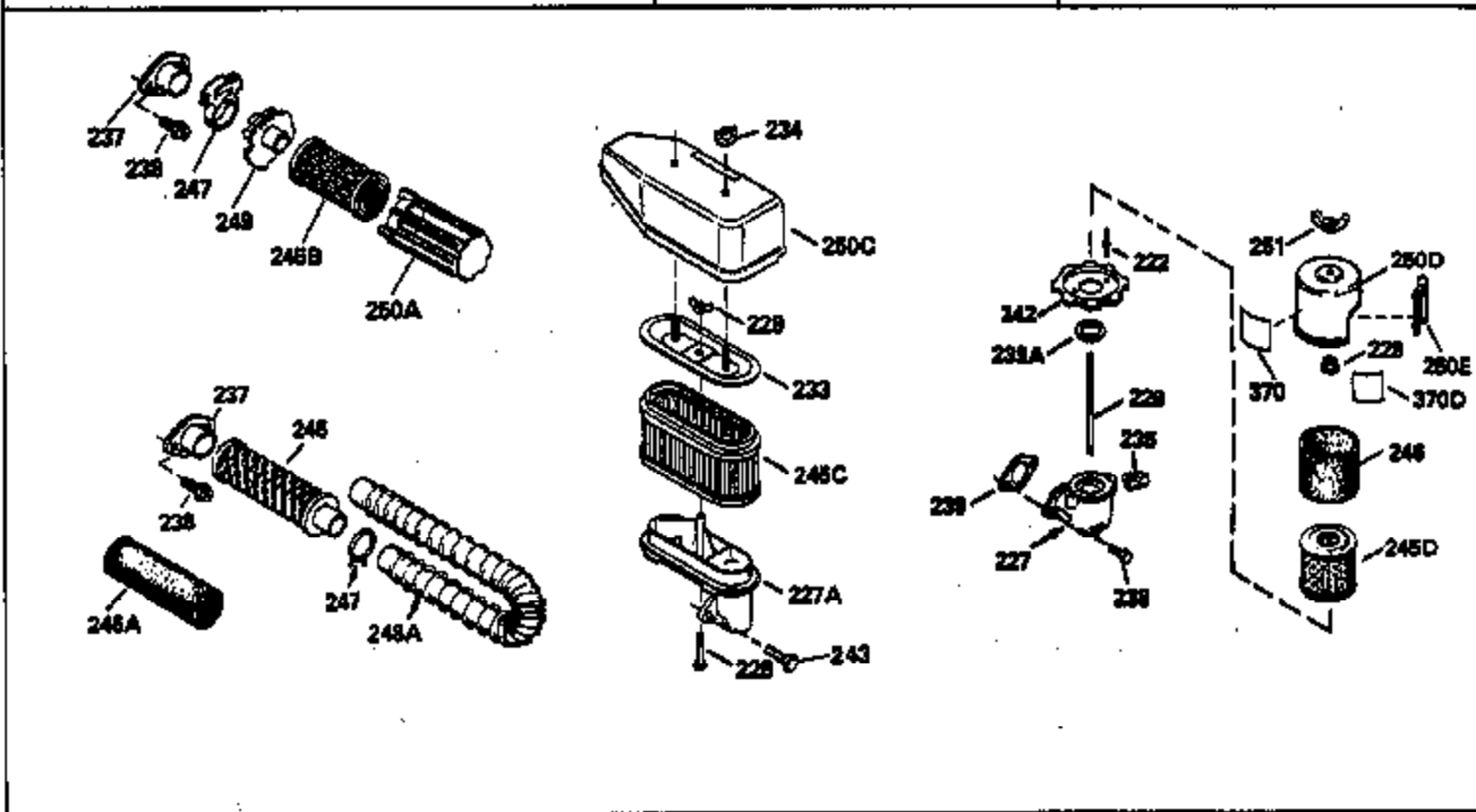
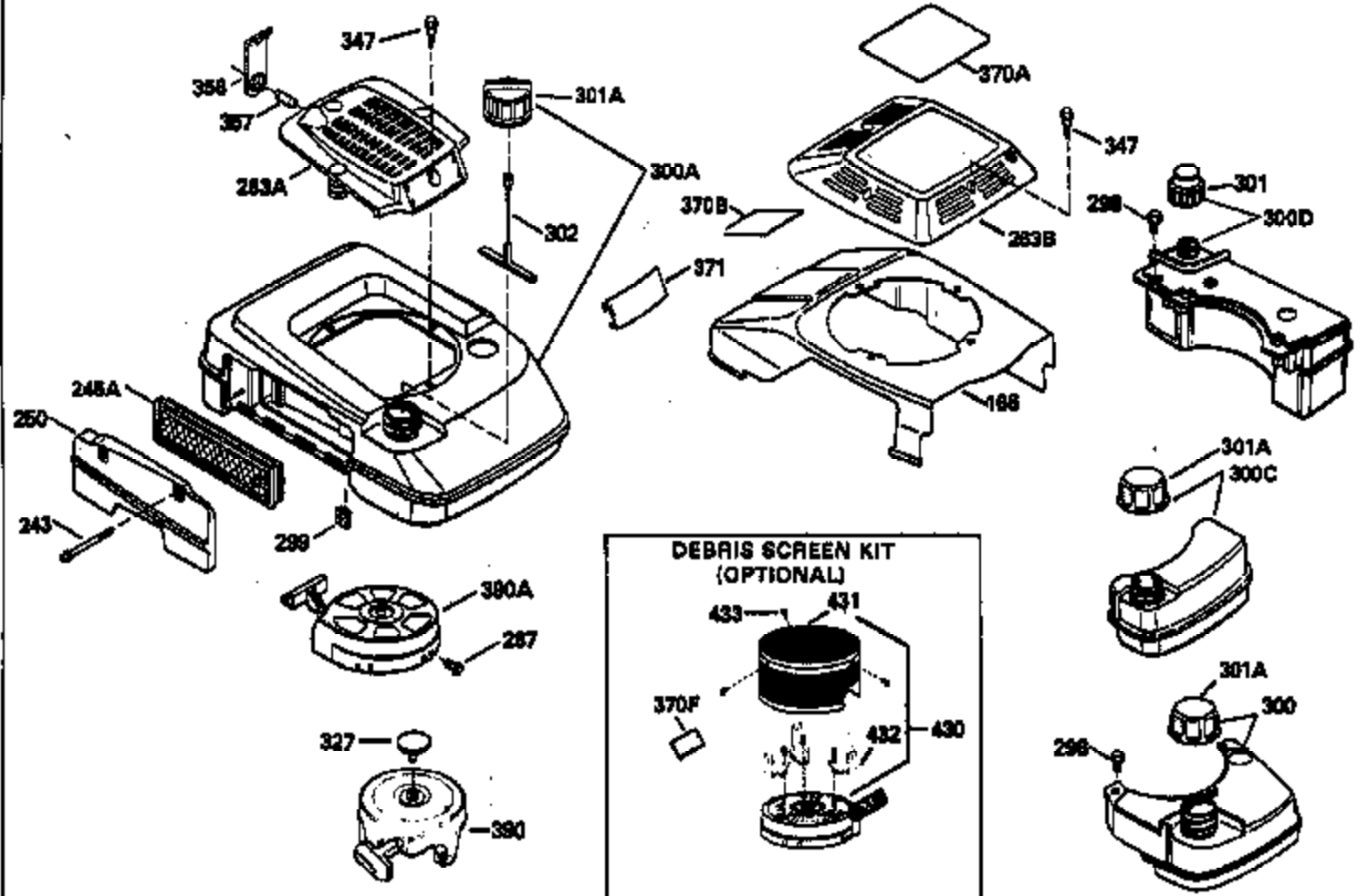


Ref #	Part Number	Qty	Description
	1 35613		Cylinder (Incl. 2 & 20) (2-1/2" Bore)
	2 26727		Pin, Dowel
	6 33734		Element, Breather
	7 34214A		Breather Assy. (Incl.6, 8, 9, 12 & 12 A)
	8 33735		* Gasket, Breather
	9 30200		Screw, 10-24 x 9/16"
12A	34695		Elbow, Breather tube
12	33886		Tube, Breather
14	28277		Washer, Flat
15	30589		Rod, Governor (Incl. 14)
16	32651		Lever, Governor
17	31335		Clamp, Governor lever
18	650548		Screw, 8-32 x 5/16"
19	33578		Spring, Governor
20	32600		Seal, Oil
30	35614		Crankshaft
32	32323		Washer, Thrust NOTE: This thrust washer maynot be required if a new crankshafthas been installed. Check the proper Mechanic's Handbook for acceptable end play. Use this .010" thrust washer if excess end play is measured.
40	34514		Piston, Pin & Ring Set (Std.) (2-1/2" Bore)
40	34515		Piston, Pin & Ring Set (.010" OS)
40	34516		Piston, Pin & Ring Set (.020" OS)
41	32538B		Piston & Pin Ass'y. (Std.)(Incl. 43) (2-1/2")
41	32548B		Piston & Pin Ass'y. (.010" OS) (Incl. 43)
41	32549B		Piston & Pin Ass'y. (.020" OS) (Incl. 43)
42	28986		Ring Set, Piston (Std.)
42	28987		Ring Set, Piston (.010" OS)
42	28988		Ring Set, Piston (.020" OS)
43	20381		Ring, Piston pin retaining
45	30963B		Rod Assy., Connecting (Incl. 46)
46	32610A		Bolt, Connecting rod
48	35616		Valve, Lifter
50	33553		Camshaft (MCR)
52	29914		Pump Assy., Oil
69	35261		* Gasket, Mounting flange
70	35362		Mounting Flange (Incl. 72, 75 & 80)
72	30572		Plug, Oil drain (Incl. 73)
73	28833		* Drain Plug Gasket (Do not use w/plast ic plug)
75	27897		Seal, Oil
80	30574		Shaft, Governor
81	30590A		Washer, Flat
82	30591		Gear Assy., Governor (Incl. 81)
83	30588A		Spool, Governor
84	29193		Ring, Retaining
86	650488		Screw, 1/4-20 x 1-1/4"
89	611004		Key, Flywheel
90	611044		Flywheel
92	650815		Washer, Belleville
93	650816		Nut, Flywheel
100	34443A		Solid State Assy.
101	610118		Cover, Spark Plug
103	650814		Screw, Torx T-15, 10-24 x 1"
110	35514		Ground Wire
119	35617		* Gasket, Cylinder head
120	35630		Head Cylinder
125	35621		Exhaust Valve (Std.) (Incl. 151)

Ref #	Part Number	Qty	Description
125	35622		Exhaust Valve (1/32" OS) (Incl. 151)
126	35619		Intake Valve (Std.) (Incl. 151)
126	35620		Intake Valve (1/32" OS) (Incl. 151)
127	650691		Washer, Flat
128	650690		Washer, Belleville
130	650912		Screw, 5/16-18 x 1-1/2"
135	34645		Resistor Spark Plug (RN-4C)
150	31672		Spring, Valve
151	31673		Cap, Valve spring keeper
153	35623		Guide, Push rod
154	650913		Stud, Rocker arm
155	35624		Arm, Rocker
157	650914		Nut, Hex jam, 1/4-28
158	35625		Rod, Push
159	35626		* Gasket, Rocker arm cover
160	35627		Cover, Rocker arm
161	30063		Screw, Torx-T30, 1/4-20 x 1/2"
178	29752		Nut & Lockwasher, 1/4-28
181	6201		Screw, 1/4-28 x 7/8"
182	6201		Screw, 1/4-28 x 7/8"
184	26756		* Gasket, Carburetor
185	35635		Pipe, Intake
186	34337		Link, Governor spring
190	35831		Lever, Brake
191	35015B		Bracket, S.E. Brake (Incl. 195)
192	34966		Link, Control
193	34965		Spring, Extension
194	32309		Ring, Retaining
195	610973		Terminal Assy.
200	33970A		Control Bracket (Incl. 202 thru 206)
202	33802		Spring, Compression
203	31342		Spring, Compression
204	650549		Screw, 5-40 x 7/16"
205	650777		Screw, 6-32 x 21/32"
207	35364		Link, Throttle
209	30200		Screw, 10-24 x 9/16"
215	35369		Knob, Speed control
223	650451		Screw, 1/4-20 x 1"
224	35629A		* Gasket, Intake pipe
237	32971		Adapter, Air cleaner
238	650709		Screw, 10-32 x 7/16"
239	35815		* Gasket, Air cleaner
246B	35705		Filter, Pre-air
247	35068		Clamp, Air cleaner
260	35636		Housing Blower
261	650831		Screw, 1/4-20 x 15/32"
277	650915		Screw, 1/4-20 x 3-5/32"
285	35000		Hub, Starter
290	34357		Line, Fuel (Epicholocohydrin 6-3/4")(17 cm)
292	26460		Clamp, Fuel line
305	35577		Tube, Oil fill
306	34265		* Gasket, Fill tube
307	35499		"O" Ring
309	650562		Screw, 10-32 x 1/2"
310	35639		Dipstick, Oil fill
313	34080		Spacer, Flywheel
370C	35756		Decal, Primer
379	631021		Inlet, Needle, Seat & Clip Assy.

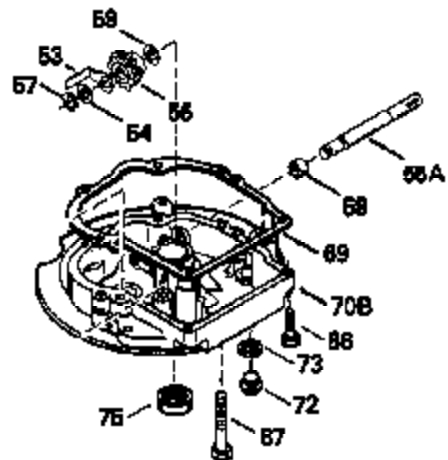
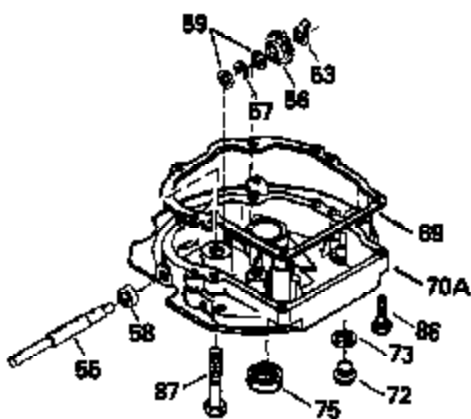
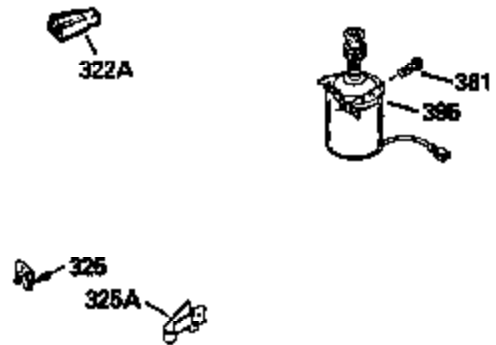
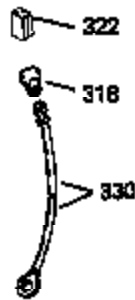
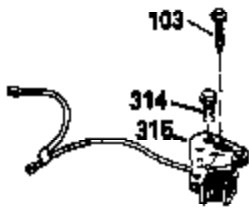
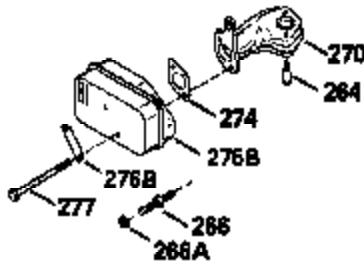
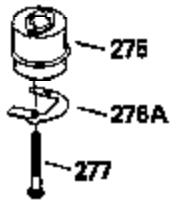
Ref #	Part Number	Qty	Description
380	632500		Carburetor (Incl. 184) (Refer to Division 5, Section A, page A6-4 or Fiche 11, Grid F-3for breakdown)
400	35633A		Gasket Set (Incl. items marked*)
420	730225		SAE 30, 4-Cycle Engine Oil (Quart)

ILLUSTRATION SHOWS TYPICAL PARTS ONLY. ORDER BY PART NUMBER. PARTS NOT LISTED ARE SUPPLIED BY OEM.



Ref #	Part Number	Qty	Description
153	35623		Guide, Push rod
215	35369		Knob, Speed control
237	32971		Adapter, Air cleaner
238	650709		Screw, 10-32 x 7/16"
239	35815		* Gasket, Air cleaner
245	32796		Air Cleaner Filter
246A	35640		Filter, Pre-cleaner air
247	35068		Clamp, Air cleaner
248A	33142		Tube, Air intake
357	34985		Retainer, Starter rope
358	35168		Bracket Assy., Rope guide
370F	34387		Decal, Instruction (optional)
390	590420A		Rewind Starter (Refer to Division 5, Section C, page 25 or Fiche 11, Grid G-1 for breakdown)
430	730574		Optional Screen Kit (Incl.370F,431,43 2,433)
431	35596		Debris Screen (Optional)
432	35597		Debris Screen Bracket (Optional)
433	650910		Screw, 8-32 x 1/4" (Optional)

ILLUSTRATION SHOWS TYPICAL PARTS ONLY. ORDER BY PART NUMBER. PARTS NOT LISTED ARE SUPPLIED BY OEM.



Ref #	Part Number	Qty	Description
69	35261		* Gasket, Mounting flange
72	30572		Plug, Oil drain (Incl. 73)
73	28833		* Drain Plug Gasket (Do not use w/plastic plug)
75	27897		Seal, Oil
86	650488		Screw, 1/4-20 x 1-1/4"
103	650814		Screw, Torx T-15, 10-24 x 1"
153	35623		Guide, Push rod
215	35369		Knob, Speed control
275	35637		Muffler
276A	35638		Plate, Lock
277	650915		Screw, 1/4-20 x 3-5/32"
314	650767		Screw, 8-36 x 5/8"
315	35365		Coil Assy., Alternator
318	35587		Seal, Connector
322	34977		Connector, Body
322	610921		Connector, Body
322A	611119		Connector, Body
330	35356		Wire, Ground
361	650831		Screw, 1/4-20 x 15/32"
395	35707		Starter Motor (12 Volt) (Refer to Division 5, Section D, page 18 or Fiche 11, Grid G-11 for breakdown)