

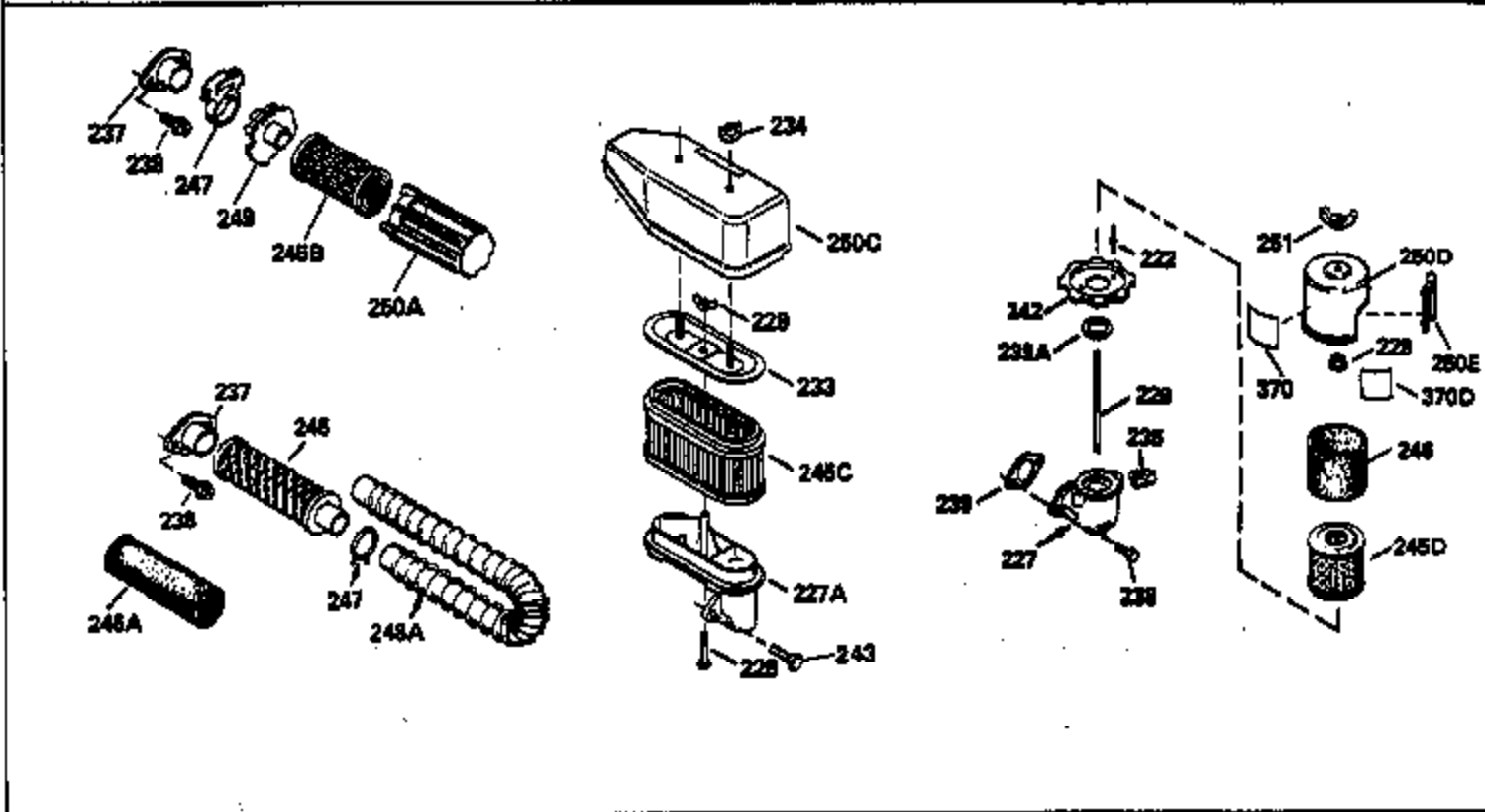
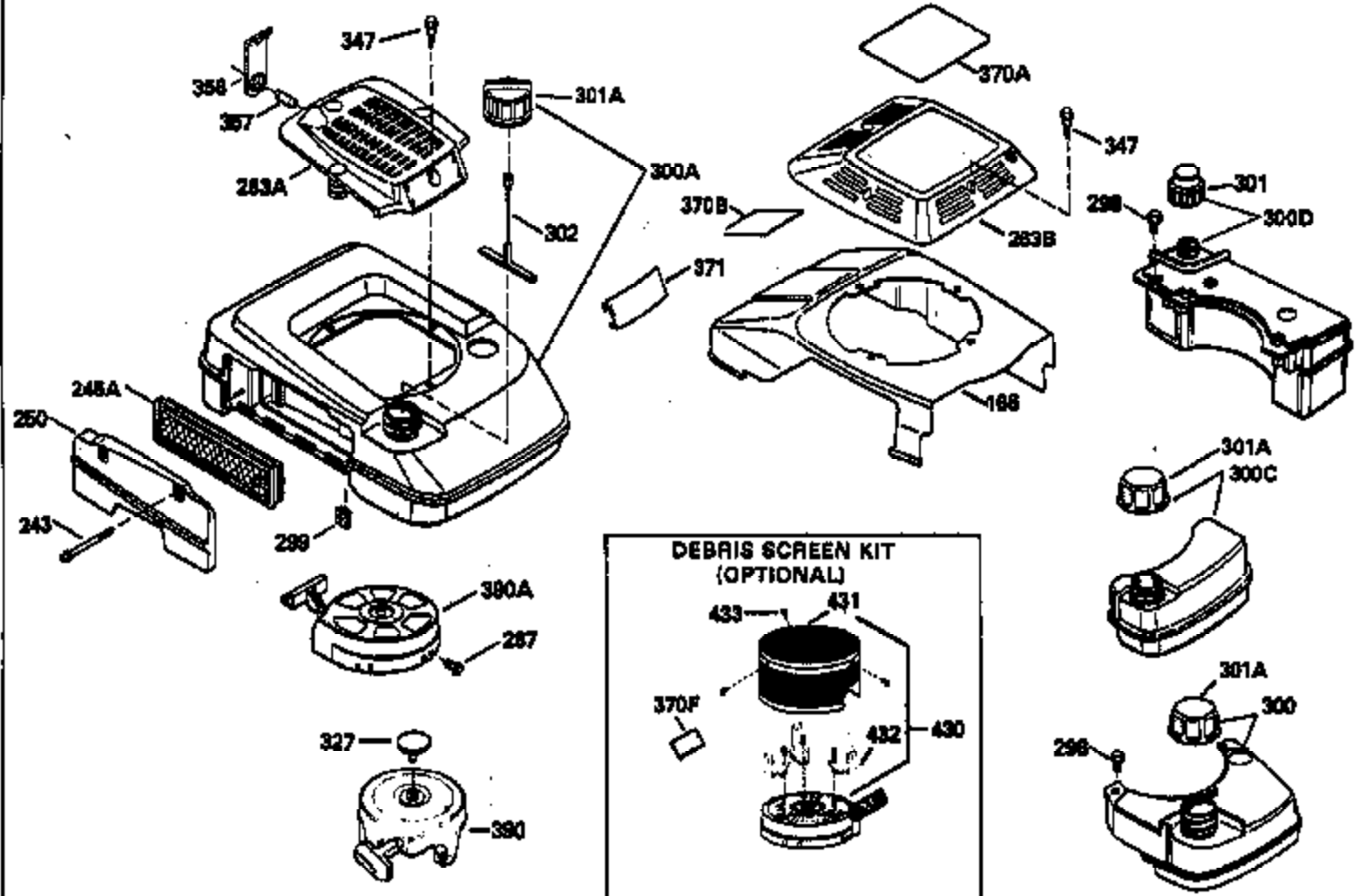


| Ref # | Part Number | Qty | Description                                     |
|-------|-------------|-----|---|
| 1     | 35613       |     | Cylinder (Incl. 2 & 20) (2-1/2" Bore)           |
| 2     | 26727       |     | Pin, Dowel                                      |
| 6     | 33734       |     | Element, Breather                               |
| 7     | 34214A      |     | Breather Assy. (Incl. 6, 8, 9, 12 & 12 A)       |
| 8     | 33735       |     | * Gasket, Breather                              |
| 9     | 30200       |     | Screw, 10-24 x 9/16"                            |
| 12    | 35496       |     | Tube, Breather                                  |
| 14    | 28277       |     | Washer, Flat                                    |
| 15    | 30589       |     | Rod, Governor (Incl. 14)                        |
| 16    | 31383A      |     | Lever, Governor                                 |
| 17    | 31335       |     | Clamp, Governor lever                           |
| 18    | 650548      |     | Screw, 8-32 x 5/16"                             |
| 19    | 33578       |     | Spring, Governor                                |
| 20    | 32600       |     | Seal, Oil                                       |
| 30    | 35749       |     | Crankshaft                                      |
| 40    | 34514       |     | Piston, Pin & Ring Set (Std.) (2-1/2" Bore)     |
| 40    | 34515       |     | Piston, Pin & Ring Set (.010" OS)               |
| 40    | 34516       |     | Piston, Pin & Ring Set (.020" OS)               |
| 41    | 32538B      |     | Piston & Pin Ass'y. (Std.) (Incl. 43) (2-1/2")  |
| 41    | 32548B      |     | Piston & Pin Ass'y. (.010" OS) (Incl. 43)       |
| 41    | 32549B      |     | Piston & Pin Ass'y. (.020" OS) (Incl. 43)       |
| 42    | 28986       |     | Ring Set, Piston (Std.)                         |
| 42    | 28987       |     | Ring Set, Piston (.010" OS)                     |
| 42    | 28988       |     | Ring Set, Piston (.020" OS)                     |
| 43    | 20381       |     | Ring, Piston pin retaining                      |
| 45    | 30963B      |     | Rod Assy., Connecting (Incl. 46)                |
| 46    | 32610A      |     | Bolt, Connecting rod                            |
| 48    | 35616       |     | Valve, Lifter                                   |
| 50    | 33553       |     | Camshaft (MCR)                                  |
| 52    | 29914       |     | Pump Assy., Oil                                 |
| 69    | 35261       |     | * Gasket, Mounting flange                       |
| 70    | 34311C      |     | Mounting Flange (Incl. 72, 72A, 75 & 80)        |
| 72    | 30572       |     | Plug, Oil drain (Incl. 73)                      |
| 73    | 28833       |     | * Drain Plug Gasket (Do not use w/plastic plug) |
| 75    | 27897       |     | Seal, Oil                                       |
| 80    | 30574       |     | Shaft, Governor                                 |
| 81    | 30590A      |     | Washer, Flat                                    |
| 82    | 30591       |     | Gear Assy., Governor (Incl. 81)                 |
| 83    | 30588A      |     | Spool, Governor                                 |
| 84    | 29193       |     | Ring, Retaining                                 |
| 86    | 650488      |     | Screw, 1/4-20 x 1-1/4"                          |
| 89    | 611004      |     | Key, Flywheel                                   |
| 90    | 611112      |     | Flywheel  |
| 92    | 650815      |     | Washer, Belleville                              |
| 93    | 650816      |     | Nut, Flywheel                                   |
| 100   | 34443A      |     | Solid State Assy.                               |
| 101   | 610118      |     | Cover, Spark Plug                               |
| 103   | 650814      |     | Screw, Torx T-15, 10-24 x 1"                    |
| 110   | 34961       |     | Ground Wire                                     |
| 119   | 35617       |     | * Gasket, Cylinder head                         |
| 120   | 35630       |     | Head Cylinder                                   |
| 125   | 35621       |     | Exhaust Valve (Std.) (Incl. 151)                |
| 125   | 35622       |     | Exhaust Valve (1/32" OS) (Incl. 151)            |
| 126   | 35619       |     | Intake Valve (Std.) (Incl. 151)                 |
| 126   | 35620       |     | Intake Valve (1/32" OS) (Incl. 151)             |
| 127   | 650691      |     | Washer, Flat                                    |
| 128   | 650690      |     | Washer, Belleville                              |
| 130   | 650912      |     | Screw, 5/16-18 x 1-1/2"                         |

| Ref # | Part Number | Qty | Description                           |
|-------|-------------|-----|---------------------------------------|
| 135   | 34645       |     | Resistor Spark Plug (RN-4C)           |
| 150   | 31672       |     | Spring, Valve                         |
| 151   | 31673       |     | Cap, Valve spring keeper              |
| 153   | 35623       |     | Guide, Push rod                       |
| 154   | 650913      |     | Stud, Rocker arm                      |
| 155   | 35624       |     | Arm, Rocker                           |
| 157   | 650914      |     | Nut, Hex jam, 1/4-28                  |
| 158   | 35625       |     | Rod, Push                             |
| 159   | 35626       |     | * Gasket, Rocker arm cover            |
| 160   | 35718       |     | Cover, Rocker arm                     |
| 178   | 29752       |     | Nut & Lockwasher, 1/4-28              |
| 181   | 6201        |     | Screw, 1/4-28 x 7/8"                  |
| 182   | 6201        |     | Screw, 1/4-28 x 7/8"                  |
| 182   | 650920      |     | Screw, 1/4-28 x 7/8"                  |
| 184   | 26756       |     | * Gasket, Carburetor                  |
| 185   | 35628       |     | Pipe, Intake                          |
| 186   | 34337       |     | Link, Governor spring                 |
| 189   | 650839      |     | Screw, 1/4-20 x 3/8"                  |
| 190   | 35831       |     | Lever, Brake                          |
| 191   | 35039A      |     | Bracket, S.E. Brake (Incl. 195)       |
| 192   | 34966       |     | Link, Control                         |
| 193   | 34965       |     | Spring, Extension                     |
| 194   | 32309       |     | Ring, Retaining                       |
| 195   | 610973      |     | Terminal Assy.                        |
| 200   | 33131A      |     | Control Bracket (Incl. 202 thru 206)  |
| 202   | 33802       |     | Spring, Compression                   |
| 203   | 31342       |     | Spring, Compression                   |
| 204   | 650549      |     | Screw, 5-40 x 7/16"                   |
| 205   | 650777      |     | Screw, 6-32 x 21/32"                  |
| 207   | 34336       |     | Link, Throttle                        |
| 209   | 30200       |     | Screw, 10-24 x 9/16"                  |
| 210   | 27793       |     | Clip, Conduit                         |
| 211   | 28942       |     | Screw, 10-32 x 3/8"                   |
| 223   | 650451      |     | Screw, 1/4-20 x 1"                    |
| 224   | 35629A      |     | * Gasket, Intake pipe                 |
| 237   | 32971       |     | Adapter, Air cleaner                  |
| 238   | 650709      |     | Screw, 10-32 x 7/16"                  |
| 239   | 35815       |     | * Gasket, Air cleaner                 |
| 243   | 650899      |     | Screw, 10-32 x 2-3/32"                |
| 245A  | 35500       |     | Air Cleaner Filter                    |
| 246B  | 35705       |     | Filter, Pre-air                       |
| 247   | 35505       |     | Clamp, Air cleaner                    |
| 248   | 35504       |     | Tube, Air cleaner                     |
| 250B  | 35503       |     | Cover, Air cleaner                    |
| 253   | 650821      |     | Screw, 10-32 x 1/2"                   |
| 254   | 35721       |     | Cover, Blower housing                 |
| 260   | 35719       |     | Housing, Blower                       |
| 261   | 650831      |     | Screw, 1/4-20 x 15/32"                |
| 263   | 35502       |     | Ring, Shroud                          |
| 276   | 31588       |     | Plate, Lock                           |
| 277   | 650697A     |     | Screw, 5/16-18 x 2-1/2"               |
| 285   | 35000       |     | Hub, Starter                          |
| 287   | 650884      |     | Screw, 8-32 x 1/2"                    |
| 290   | 30705       |     | Line, Fuel (Braided 16")(40 cm)       |
| 292   | 26460       |     | Clamp, Fuel line                      |
| 299   | 650900      |     | Clip, "U" Type nut, 10-32             |
| 300B  | 35501A      |     | Shroud & Tank Assy. (Incl. 299 & 301) |
| 301A  | 35355       |     | Cap, Fuel                             |

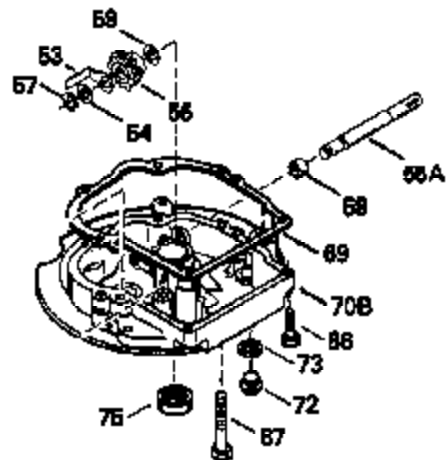
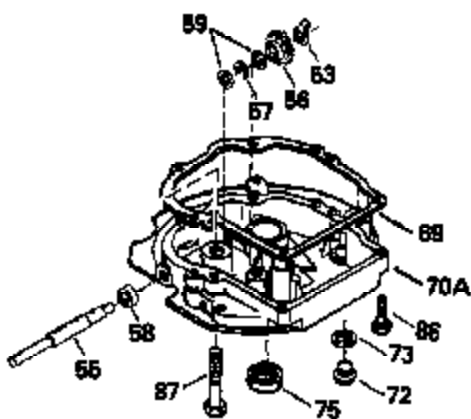
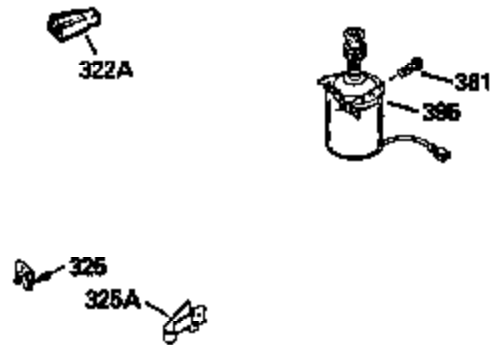
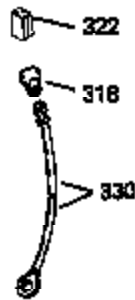
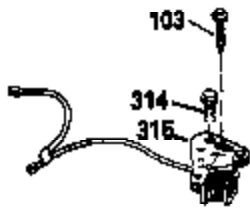
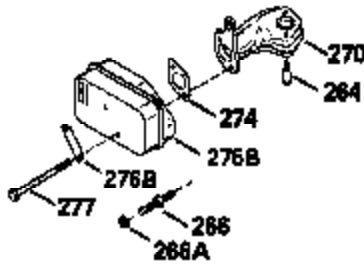
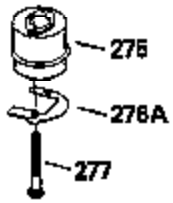
| Ref # | Part Number | Qty | Description   |
|-------|-------------|-----|---|
|       | 305 35498   |     | Tube, Oil fill  |
|       | 306 34265   |     | * Gasket, Fill tube   |
|       | 307 35499   |     | "O" Ring  |
|       | 309 650562  |     | Screw, 10-32 x 1/2"   |
|       | 310 35507   |     | Dipstick, Oil fill  |
|       | 313 34080   |     | Spacer, Flywheel  |
|       | 327 35392   |     | Plug, Starter   |
|       | 347 650898  |     | Screw, 10-32 x 27/32"   |
|       | 370C 35756  |     | Decal, Primer   |
|       | 379 631021  |     | Inlet, Needle, Seat & Clip Assy.  |
|       | 380 632570  |     | Carburetor (Incl. 184) (Refer to Division 5, Section A, page A6-4 or Fiche 11, Grid F-3for breakdown) |
|       | 390B 590621 |     | Rewind Starter (Refer to Division 5, Section C, page 34 or Fiche 11, Grid G-3 for breakdown)          |
|       | 400 35633A  |     | Gasket Set (Incl. items marked*)  |
|       | 420 730225  |     | SAE 30, 4-Cycle Engine Oil (Quart)  |

ILLUSTRATION SHOWS TYPICAL PARTS ONLY. ORDER BY PART NUMBER. PARTS NOT LISTED ARE SUPPLIED BY OEM.



| Ref # | Part Number | Qty | Description                                  |
|-------|-------------|-----|--|
| 153   | 35623       |     | Guide, Push rod                              |
| 237   | 32971       |     | Adapter, Air cleaner                         |
| 238   | 650709      |     | Screw, 10-32 x 7/16"                         |
| 239   | 35815       |     | * Gasket, Air cleaner                        |
| 243   | 650899      |     | Screw, 10-32 x 2-3/32"                       |
| 245A  | 35500       |     | Air Cleaner Filter                           |
| 247   | 35505       |     | Clamp, Air cleaner                           |
| 287   | 650884      |     | Screw, 8-32 x 1/2"                           |
| 299   | 650900      |     | Clip, "U" Type nut, 10-32                    |
| 301A  | 35355       |     | Cap, Fuel                                    |
| 327   | 35392       |     | Plug, Starter                                |
| 347   | 650898      |     | Screw, 10-32 x 27/32"                        |
| 357   | 34985       |     | Retainer, Starter rope                       |
| 370F  | 34387       |     | Decal, Instruction (optional)                |
| 430   | 730574      |     | Optional Screen Kit (Incl.370F,431,43 2,433) |
| 431   | 35596       |     | Debris Screen (Optional)                     |
| 432   | 35597       |     | Debris Screen Bracket (Optional)             |
| 433   | 650910      |     | Screw, 8-32 x 1/4" (Optional)                |

ILLUSTRATION SHOWS TYPICAL PARTS ONLY. ORDER BY PART NUMBER. PARTS NOT LISTED ARE SUPPLIED BY OEM.



| Ref # | Part Number | Qty | Description                                     |
|-------|-------------|-----|---|
| 69    | 35261       |     | * Gasket, Mounting flange                       |
| 72    | 30572       |     | Plug, Oil drain (Incl. 73)                      |
| 73    | 28833       |     | * Drain Plug Gasket (Do not use w/plastic plug) |
| 75    | 27897       |     | Seal, Oil                                       |
| 86    | 650488      |     | Screw, 1/4-20 x 1-1/4"                          |
| 103   | 650814      |     | Screw, Torx T-15, 10-24 x 1"                    |
| 153   | 35623       |     | Guide, Push rod                                 |
| 264   | 650918      |     | Screw, Torx T30, 1/4-20 x 1-7/32"               |
| 266   | 650917      |     | Stud, Manifold                                  |
| 266A  | 29752       |     | Nut & Lockwasher, 1/4-28                        |
| 270   | 35720       |     | Manifold Assy., Exhaust                         |
| 275A  | 391028      |     | Muffler   |
| 277   | 650697A     |     | Screw, 5/16-18 x 2-1/2"                         |
| 325   | 29443       |     | Clip, Fuel line                                 |