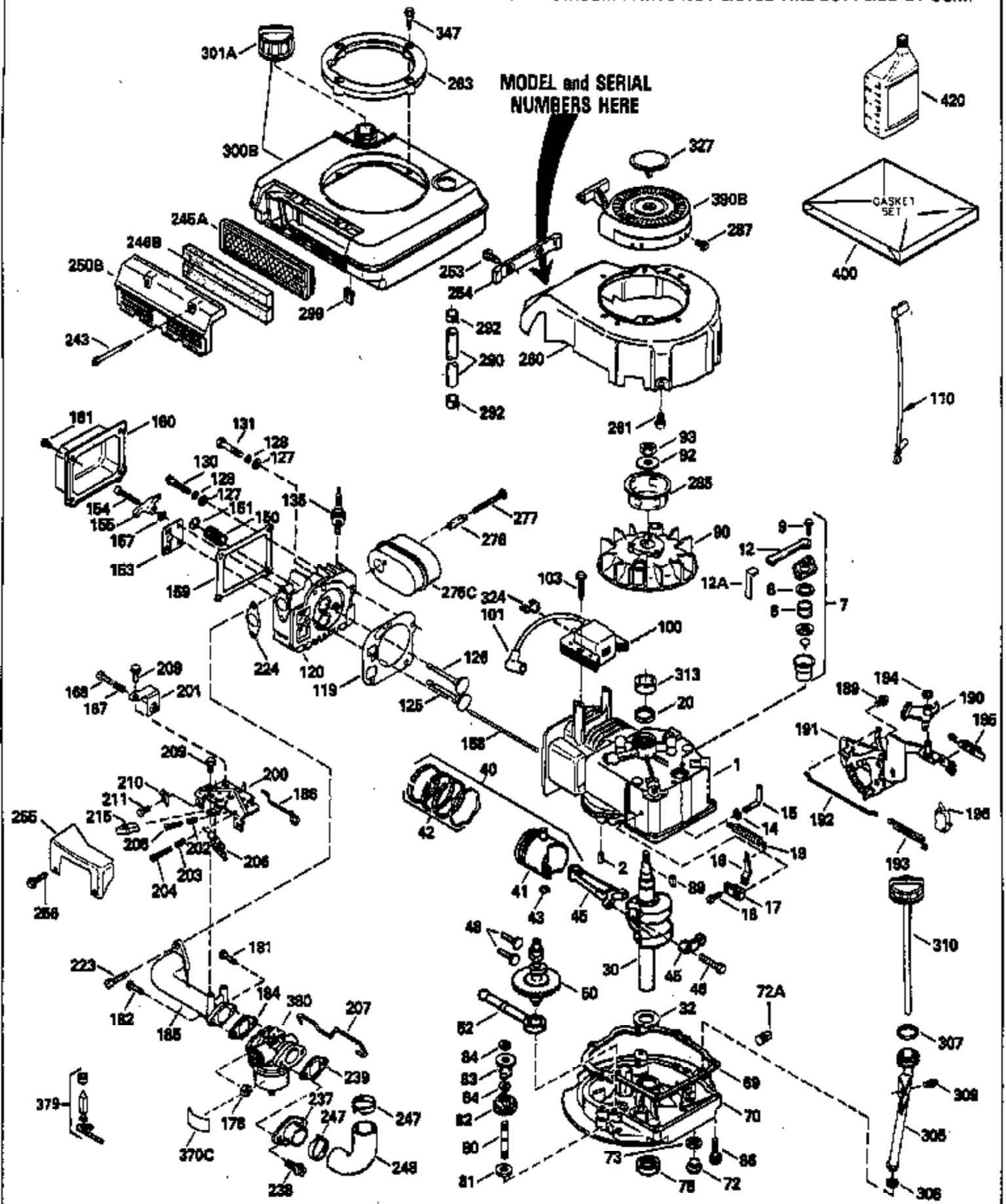


ILLUSTRATION SHOWS TYPICAL PARTS ONLY. ORDER BY PART NUMBER. PARTS NOT LISTED ARE SUPPLIED BY OEM.

MODEL and SERIAL
NUMBERS HERE



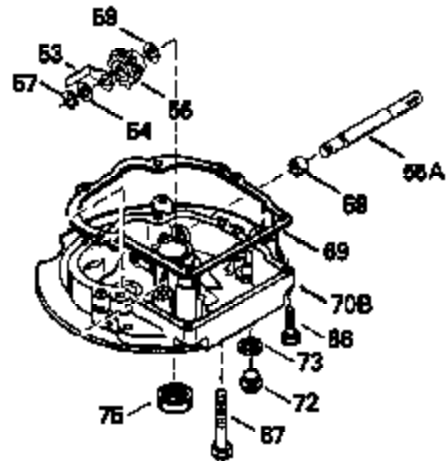
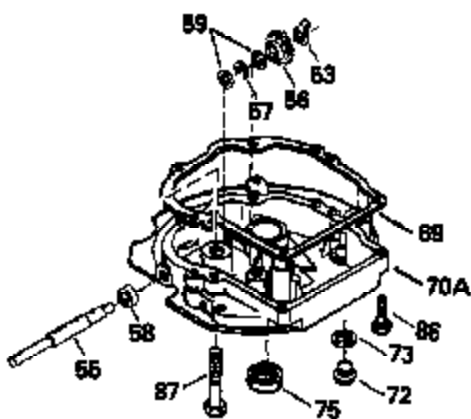
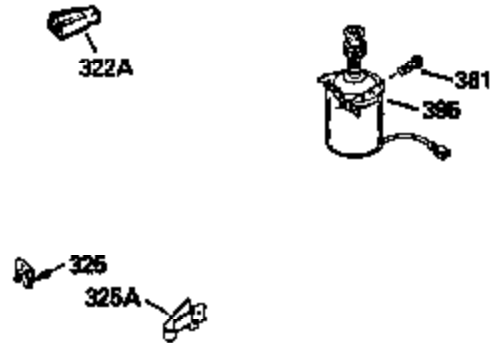
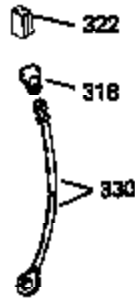
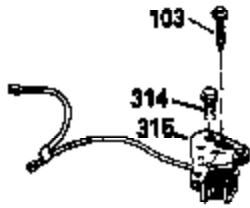
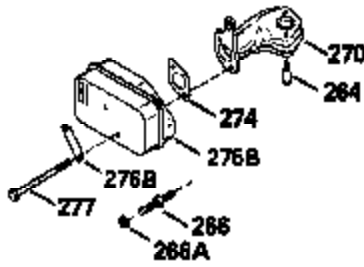
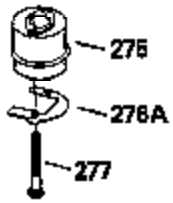
Ref #	Part Number	Qty	Description
	1 35613	1	Cylinder (Incl. 2 & 20)
	2 26727	2	Dowel Pin
	6 33734	1	Breather Element
	7 34214A	1	Breather Ass'y. (Incl.6,8,9,12 & 325)
	8 33735	1	* Breather Gasket
	9 30200	2	Screw, 10-24 x 9/16"
	12 35496	1	Breather Tube
	14 28277	1	Washer
	15 30589	1	Governor Rod (Incl. 14)
	16 31383A	1	Governor Lever
	17 31335	1	Governor Lever Clamp
	18 650548	1	Screw, 8-32 x 5/16"
	19 33578	1	Extension Spring
	20 32600	1	Oil Seal
	30 35748	1	Crankshaft
	40 34514	1	Piston, Pin & Ring Set (Std.)
	40 34515	1	Piston, Pin & Ring Set (.010" OS)
	40 34516	1	Piston, Pin & Ring Set (.020" OS)
	41 32538B	1	Piston & Pin Ass'y. (Std.) (Incl.43)
	41 32548B	1	Piston & Pin Ass'y. (.010" OS) (Incl. 43)
	41 32549B	1	Piston & Pin Ass'y. (.020" OS) (Incl. 43)
	42 28986	1	Ring Set (Std.)
	42 28987	1	Ring Set (.010" OS)
	42 28988	1	Ring Set (.020" OS)
	43 20381	2	Piston Pin Retaining Ring
	45 30963B	1	Connecting Rod Ass'y. (Incl. 46)
	46 32610A	2	Connecting Rod Bolt
	48 35616	2	Valve Lifter
	50 35992	1	Camshaft (MCR)
	52 29914	1	Oil Pump Ass'y.
	69 35261	1	* Mounting Flange Gasket
	70 34311C	1	Mounting Flange (Incl. 72, 75 & 80)
	72A 9556	1	Oil Drain Plug
	72 36083	1	Oil Drain Plug
	75 27897	1	Oil Seal
	80 30574	1	Governor Shaft
	81 30590A	1	Washer
	82 30591	1	Governor Gear Ass'y. (Incl. 81)
	83 30588A	1	Governor Spool
	84 29193	2	Retaining Ring
	86 650488	6	Screw, 1/4-20 x 1-1/4"
	89 611004	1	Flywheel Key
	90 611112	1	Flywheel
	92 650815	1	Belleville Washer
	93 650816	1	Flywheel Nut
	100 34443A	1	Solid State Ignition
	101 610118	1	Spark Plug Cover
	103 650814	2	Screw, Torx T-15, 10-24 x 1"
	110 34231	1	Ground Wire
	119 35617	1	Cylinder Head Gasket
	120 35630	1	Cylinder Head
	125 35621	1	Exhaust Valve (Std.) (Incl. 151)
	125 35622	1	Exhaust Valve (1/32" OS) (Incl. 151)
	126 35619	1	Intake Valve (Std.) (Incl. 151)
	126 35620	1	Intake Valve (1/32" OS) (Incl. 151)
	127 650691	5	Washer
	128 650690	5	Belleville Washer
	130 650912	5	Screw, 5/16-18 x 1-1/2"

Ref #	Part Number	Qty	Description
135	34645	1	Resistor Spark Plug (RN4C)
150	31672	2	Valve Spring
151	31673	2	Valve Spring Cap
153	35623	1	Push Rod Guide
154	650913	1	Rocker Arm Stud
155	35624	1	Rocker Arm
157	650914	1	Lock Nut
158	35625	2	Push Rod
159	35626	1	* Rocker Arm Cover Gasket
160	35718	1	Rocker Arm Housing
161	30063	4	Screw, Torx T-30, 1/4-20 x 1/2"
178	29752	2	Nut & Lock Washer, 1/4-28
181	650920	1	Screw, 1/4-28 x 7/8"
182	6201	1	Screw, 1/4-28 x 7/8"
184	26756	1	* Carburetor To Intake Pipe Gasket
185	35628	1	Intake Pipe (Incl. 224)
186	34337	1	Governor Link
200	33131A	1	Control Bracket (Incl. 202 thru 206)
202	33802	1	Compression Spring
203	31342	1	Compression Spring
204	650549	1	Screw, 5-40 x 7/16"
205	650777	1	Screw, 6-32 x 21/32"
206	610973	1	Terminal
207	34336	1	Throttle Link
209	30200	2	Screw, 10-24 x 9/16"
223	650451	1	Screw, 1/4-20 x 1"
224	35629A	1	* Intake Pipe Gasket
237	32971	1	Air Cleaner Adaptor
238	650709	2	Screw, 10-32 x 7/16"
239	35815	1	* Air Cleaner Gasket
245A	35705	1	Air Cleaner Filter
247	35505	2	Air Cleaner Tube Clamp
248	35504	1	Air Cleaner Tube
252	650899	2	Screw, 10-32 x 2-3/32"
260	35719	1	Blower Housing
261	650831	3	Screw, 1/4-20 x 1/2"
261	650821	2	Screw, 10-32 x 1/2"
263	35502	1	Trim Ring
276	31588	1	Locking Plate
277	650729	2	Screw, 5/16-18 x 3-3/16"
285	35000	1	Starter Cup
287	650926	2	Screw, 8-32 x 21/64"
290	30705	1	Fuel Line
292	26460	2	Fuel Line Clamp
299	650900	2	"U" Type Nut, 10-32
305	35498	1	Oil Fill Tube
306	34265	1	* "O" Ring
307	35499	1	"O" Ring
309	650562	1	Screw, 10-32 x 1/2"
310	35507	1	Dipstick
313	34080	1	Spacer
327	35392	1	Starter Plug
341	35721	1	Fuel Tank Bracket
347	650898	4	Screw, 10-32 x 27/32"
380	632570	1	Carburetor (Incl. 184)

Ref #	Part Number	Qty	Description
400	35633A	1	* Gasket Set (Incl. items marked PK i n notes) Incl. part #'s 26756 (1), 28833 (1), 33735 (1), 34265 (1), 35261 (1), 35617 (1), 35626 (1), 35629A (1), 35806 (1), 35815 (1), 35848 (1), 35865 (1)
420	730225	1	SAE 30 4-Cycle Engine Oil (Quart)

Ref #	Part Number	Qty	Description
153	35623	1	Push Rod Guide
237	32971	1	Air Cleaner Adaptor
238	650709	2	Screw, 10-32 x 7/16"
239	35815	1	* Air Cleaner Gasket
245	35500	1	Air Cleaner Filter
245A	35705	1	Air Cleaner Filter
247	35505	2	Air Cleaner Tube Clamp
250	35503	1	Air Cleaner Cover
252	650899	2	Screw, 10-32 x 2-3/32"
287	650926	2	Screw, 8-32 x 21/64"
299	650900	2	"U" Type Nut, 10-32
300A	35501A	1	Shroud & Tank Ass'y. (Incl. 301)
301	35355	1	Fuel Cap
327	35392	1	Starter Plug
341	35721	1	Fuel Tank Bracket
347	650898	4	Screw, 10-32 x 27/32"
370A	34346	1	Instruction Decal
370	34144	1	Primer Decal
390	590688	1	Rewind Starter

ILLUSTRATION SHOWS TYPICAL PARTS ONLY. ORDER BY PART NUMBER. PARTS NOT LISTED ARE SUPPLIED BY OEM.



Ref #	Part Number	Qty	Description
69	35261	1	* Mounting Flange Gasket
72	36083	1	Oil Drain Plug
75	27897	1	Oil Seal
86	650488	6	Screw, 1/4-20 x 1-1/4"
103	650814	2	Screw, Torx T-15, 10-24 x 1"
153	35623	1	Push Rod Guide
252	650899	2	Screw, 10-32 x 2-3/32"
264	650918	2	Screw, Torx T-30, 1/4-20 x 1-7/32"
266	650917	1	Stud
266A	29752	1	Nut, 1/4-28
270	35720	1	Exhaust Manifold
274	35865	1	* Exhaust Gasket
275	35744	1	Muffler
277	650729	2	Screw, 5/16-18 x 3-3/16"
325	29443	1	Wire Clip
341	35721	1	Fuel Tank Bracket