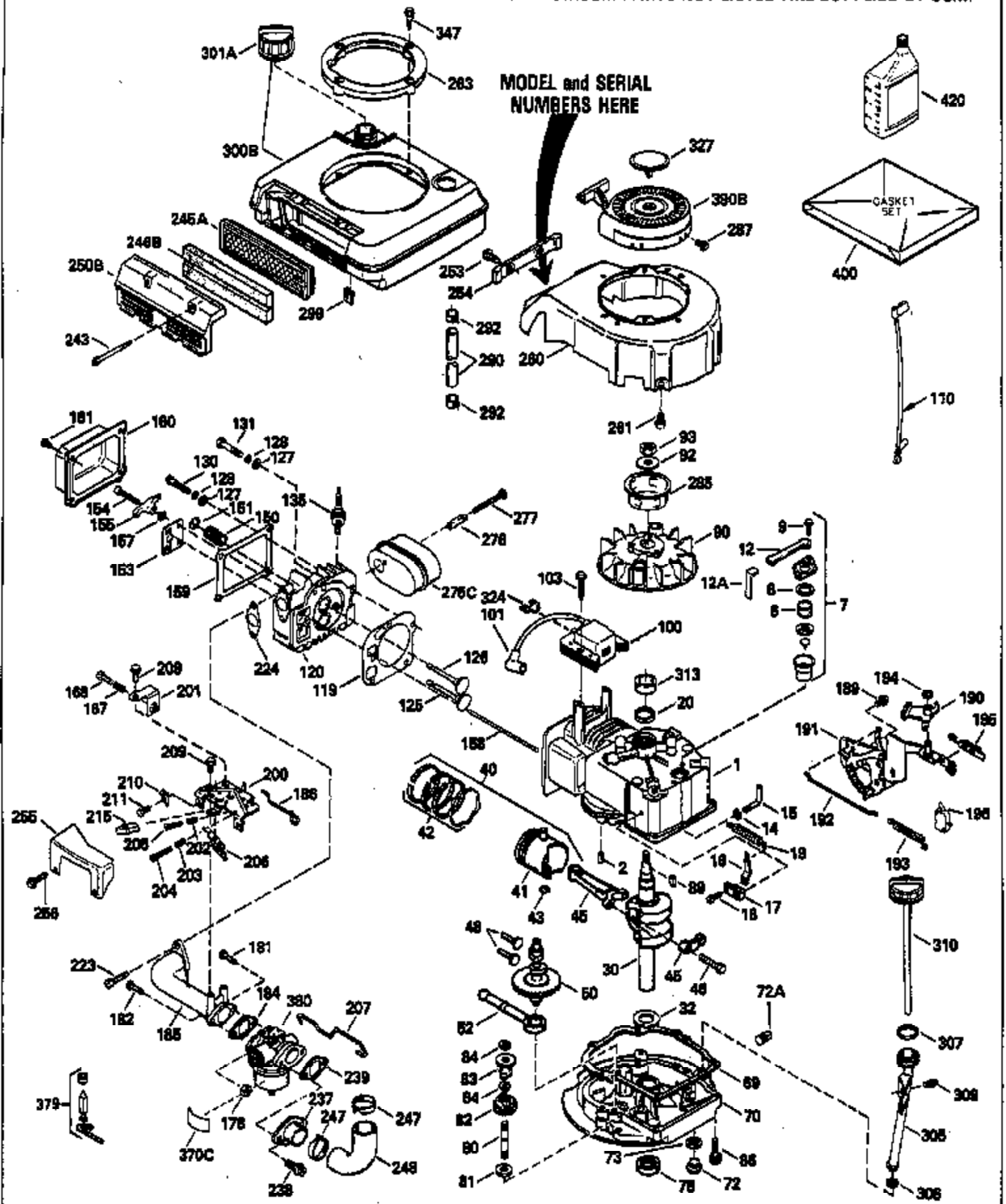


ILLUSTRATION SHOWS TYPICAL PARTS ONLY. ORDER BY PART NUMBER. PARTS NOT LISTED ARE SUPPLIED BY OEM.

MODEL and SERIAL
NUMBERS HERE

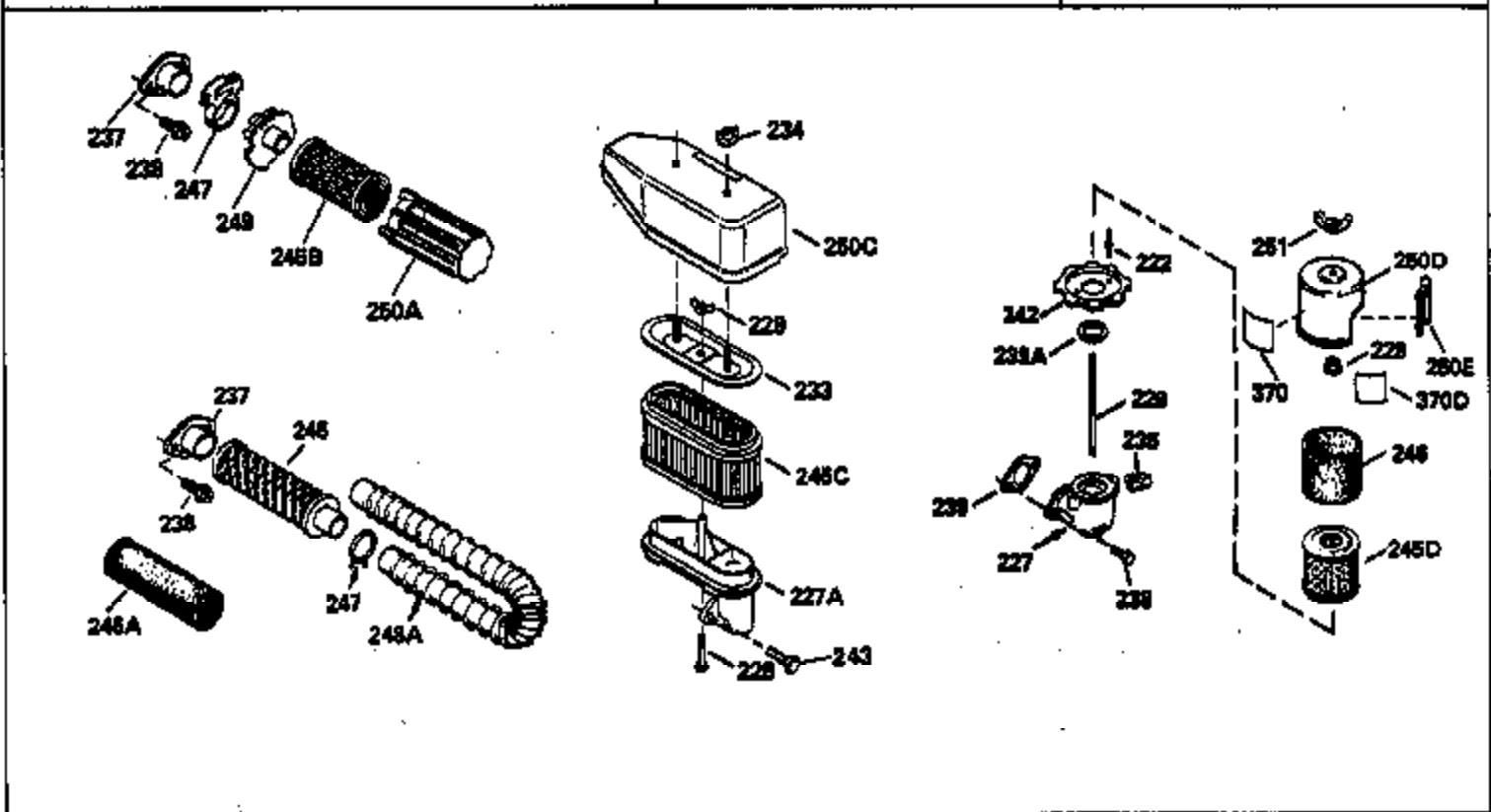
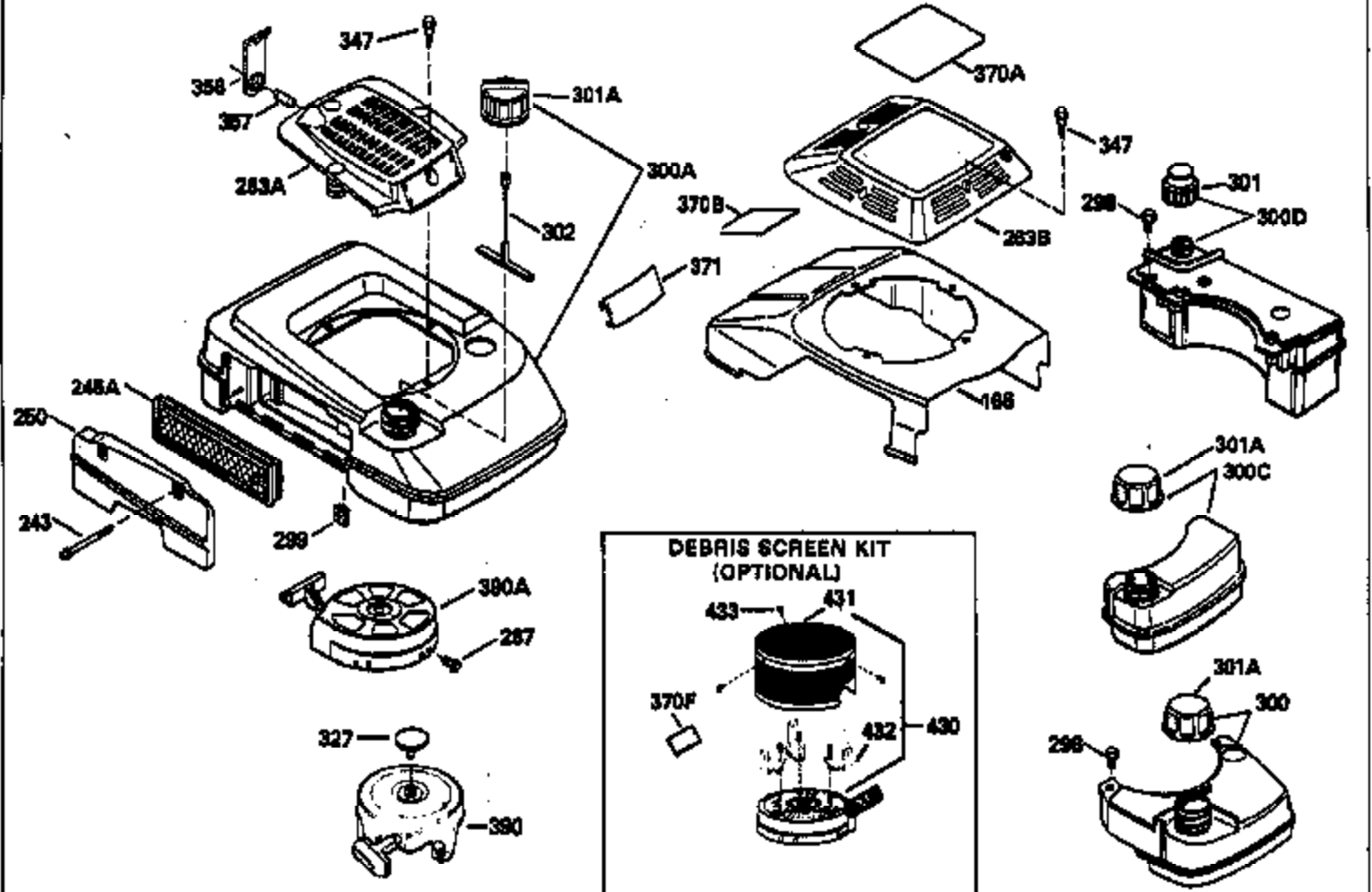


| Ref # | Part Number | Qty | Description |
|-------|-------------|-----|---|
| 1 | 35805 | | Cylinder (Incl. 2 & 20) (2-5/8" Bore) |
| 2 | 26727 | | Pin, Dowel |
| 6 | 33734 | | Element, Breather |
| 7 | 34214A | | Breather Assy. (Incl.6, 8, 9, 12 & 12 A) |
| 8 | 33735 | | * Gasket, Breather |
| 9 | 30200 | | Screw, 10-24 x 9/16" |
| 12 | 35496 | | Tube, Breather |
| 14 | 28277 | | Washer, Flat |
| 15 | 30589 | | Rod, Governor (Incl. 14) |
| 16 | 31383A | | Lever, Governor |
| 17 | 31335 | | Clamp, Governor lever |
| 18 | 650548 | | Screw, 8-32 x 5/16" |
| 19 | 33578 | | Spring, Governor |
| 20 | 32600 | | Seal, Oil |
| 30 | 35808 | | Crankshaft |
| 40 | 35544 | | Piston, Pin & Ring Set (Std.) (2-5/8" Bore) |
| 40 | 35545 | | Piston, Pin & Ring Set (.010" OS) |
| 40 | 35546 | | Piston, Pin & Ring Set (.020" OS) |
| 41 | 35541 | | Piston & Pin Ass'y.(Std.)(Incl. 43)(2 -5/8") |
| 41 | 35542 | | Piston & Pin Ass'y. (.010" OS) (Incl. 43) |
| 41 | 35543 | | Piston & Pin Ass'y. (.020" OS) (Incl. 43) |
| 42 | 35547 | | Ring Set, Piston (Std.) |
| 42 | 35548 | | Ring Set, Piston (.010" OS) |
| 42 | 35549 | | Ring Set, Piston (.020" OS) |
| 43 | 20381 | | Ring, Piston pin retaining |
| 45 | 32875 | | Rod Assy., Connecting (Incl. 46) |
| 46 | 32610A | | Bolt, Connecting rod |
| 48 | 35616 | | Valve, Lifter |
| 50 | 33553 | | Camshaft (MCR) |
| 52 | 29914 | | Pump Assy., Oil |
| 69 | 35261 | | * Gasket, Mounting flange |
| 70 | 35717 | | Mounting Flange (Incl. 72, 75 & 80) |
| 72 | 30572 | | Plug, Oil drain (Incl. 73) |
| 73 | 28833 | | * Drain Plug Gasket (Do not use w/plastic plug) |
| 75 | 27897 | | Seal, Oil |
| 80 | 30574 | | Shaft, Governor |
| 81 | 30590A | | Washer, Flat |
| 82 | 30591 | | Gear Assy., Governor (Incl. 81) |
| 83 | 30588A | | Spool, Governor |
| 84 | 29193 | | Ring, Retaining |
| 86 | 650488 | | Screw, 1/4-20 x 1-1/4" |
| 89 | 611004 | | Key, Flywheel |
| 90 | 611112 | | Flywheel |
| 92 | 650815 | | Washer, Belleville |
| 93 | 650816 | | Nut, Flywheel |
| 100 | 34443A | | Solid State Assy. |
| 101 | 610118 | | Cover, Spark Plug |
| 103 | 650814 | | Screw, Torx T-15, 10-24 x 1" |
| 110 | 34231 | | Ground Wire |
| 119 | 35806 | | * Gasket, Cylinder head |
| 120 | 35630 | | Head Cylinder |
| 125 | 35621 | | Exhaust Valve (Std.) (Incl. 151) |
| 125 | 35622 | | Exhaust Valve (1/32" OS) (Incl. 151) |
| 126 | 35619 | | Intake Valve (Std.) (Incl. 151) |
| 126 | 35620 | | Intake Valve (1/32" OS) (Incl. 151) |
| 127 | 650691 | | Washer, Flat |
| 128 | 650690 | | Washer, Belleville |
| 130 | 650912 | | Screw, 5/16-18 x 1-1/2" |

| Ref # | Part Number | Qty | Description |
|-------|-------------|-----|---------------------------------------|
| 135 | 34645 | | Resistor Spark Plug (RN-4C) |
| 150 | 31672 | | Spring, Valve |
| 151 | 31673 | | Cap, Valve spring keeper |
| 153 | 35623 | | Guide, Push rod |
| 154 | 650913 | | Stud, Rocker arm |
| 155 | 35624 | | Arm, Rocker |
| 157 | 650914 | | Nut, Hex jam, 1/4-28 |
| 158 | 35625 | | Rod, Push |
| 159 | 35626 | | * Gasket, Rocker arm cover |
| 160 | 35718 | | Cover, Rocker arm |
| 167 | 32924 | | Spring, Speed adj. screw |
| 168 | 650688 | | Screw, Speed adjusting |
| 178 | 29752 | | Nut & Lockwasher, 1/4-28 |
| 181 | 6201 | | Screw, 1/4-28 x 7/8" |
| 182 | 6201 | | Screw, 1/4-28 x 7/8" |
| 184 | 26756 | | * Gasket, Carburetor |
| 185 | 35628 | | Pipe, Intake |
| 186 | 34358 | | Link, Governor spring |
| 200 | 33155A | | Control Bracket |
| 201 | 33150 | | Bracket, Over-ride |
| 206 | 610973 | | Terminal Assy. |
| 207 | 34336 | | Link, Throttle |
| 209 | 30200 | | Screw, 10-24 x 9/16" |
| 210 | 27793 | | Clip, Conduit |
| 211 | 28942 | | Screw, 10-32 x 3/8" |
| 223 | 650451 | | Screw, 1/4-20 x 1" |
| 224 | 35629A | | * Gasket, Intake pipe |
| 237 | 32971 | | Adapter, Air cleaner |
| 238 | 650709 | | Screw, 10-32 x 7/16" |
| 239 | 35815 | | * Gasket, Air cleaner |
| 243 | 650899 | | Screw, 10-32 x 2-3/32" |
| 245A | 35500 | | Air Cleaner Filter |
| 246B | 35705 | | Filter, Pre-air |
| 247 | 35505 | | Clamp, Air cleaner |
| 248 | 35504 | | Tube, Air cleaner |
| 250B | 35503 | | Cover, Air cleaner |
| 253 | 650821 | | Screw, 10-32 x 1/2" |
| 254 | 35721 | | Cover, Blower housing |
| 260 | 35719 | | Housing, Blower |
| 261 | 650831 | | Screw, 1/4-20 x 15/32" |
| 263 | 35502 | | Ring, Shroud |
| 276 | 31588 | | Plate, Lock |
| 277 | 650697A | | Screw, 5/16-18 x 2-1/2" |
| 285 | 35000 | | Hub, Starter |
| 287 | 650884 | | Screw, 8-32 x 1/2" |
| 290 | 30705 | | Line, Fuel (Braided 16")(40 cm) |
| 292 | 26460 | | Clamp, Fuel line |
| 299 | 650900 | | Clip, "U" Type nut, 10-32 |
| 300B | 35501A | | Shroud & Tank Assy. (Incl. 299 & 301) |
| 301A | 35355 | | Cap, Fuel |
| 305 | 35498 | | Tube, Oil fill |
| 306 | 34265 | | * Gasket, Fill tube |
| 307 | 35499 | | "O" Ring |
| 309 | 650562 | | Screw, 10-32 x 1/2" |
| 310 | 35507 | | Dipstick, Oil fill |
| 313 | 34080 | | Spacer, Flywheel |
| 327 | 35392 | | Plug, Starter |
| 347 | 650898 | | Screw, 10-32 x 27/32" |

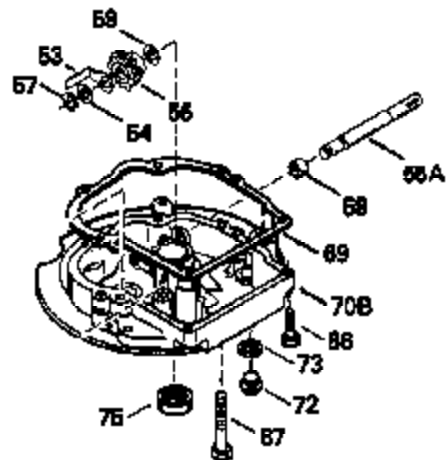
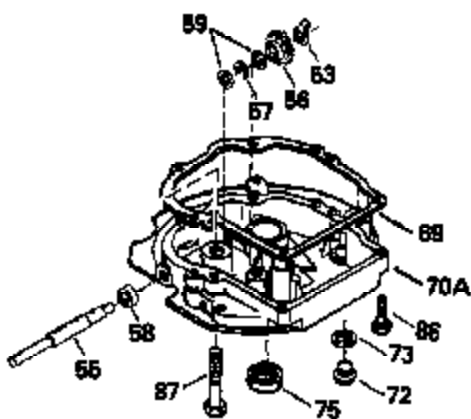
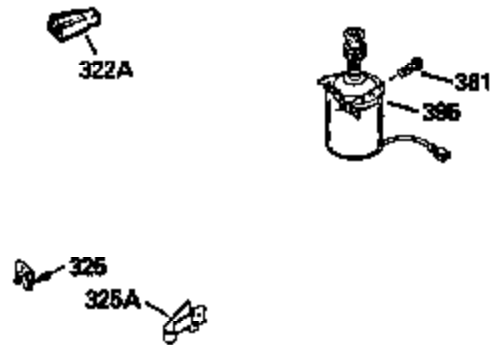
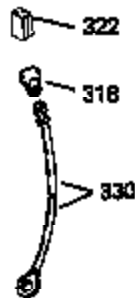
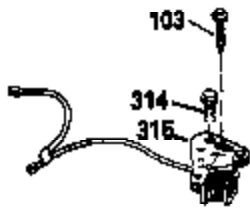
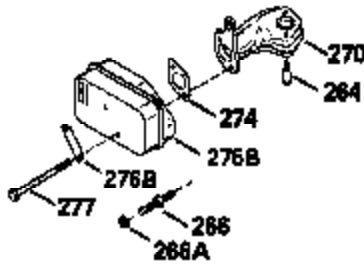
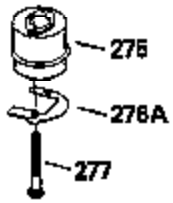
| Ref # | Part Number | Qty | Description |
|-------|-------------|-----|---|
| 379 | 631021 | | Inlet, Needle, Seat & Clip Assy. |
| 380 | 632528 | | Carburetor (Incl. 184) (Refer to Division 5, Section A, page A1-14 or Fiche 11, Grid F-1 for breakdown) |
| 390B | 590635 | | Rewind Starter (Refer to Division 5, Section C, page 34 or Fiche 11, Grid G-3 for breakdown) |
| 400 | 35633A | | Gasket Set (Incl. items marked*) |
| 420 | 730225 | | SAE 30, 4-Cycle Engine Oil (Quart) |

ILLUSTRATION SHOWS TYPICAL PARTS ONLY. ORDER BY PART NUMBER. PARTS NOT LISTED ARE SUPPLIED BY OEM.



| Ref # | Part Number | Qty | Description |
|-------|-------------|-----|--|
| 153 | 35623 | | Guide, Push rod |
| 237 | 32971 | | Adapter, Air cleaner |
| 238 | 650709 | | Screw, 10-32 x 7/16" |
| 239 | 35815 | | * Gasket, Air cleaner |
| 243 | 650899 | | Screw, 10-32 x 2-3/32" |
| 245A | 35500 | | Air Cleaner Filter |
| 247 | 35505 | | Clamp, Air cleaner |
| 287 | 650884 | | Screw, 8-32 x 1/2" |
| 299 | 650900 | | Clip, "U" Type nut, 10-32 |
| 301A | 35355 | | Cap, Fuel |
| 327 | 35392 | | Plug, Starter |
| 347 | 650898 | | Screw, 10-32 x 27/32" |
| 370F | 34387 | | Decal, Instruction (optional) |
| 430 | 730574 | | Optional Screen Kit (Incl.370F,431,43 2,433) |
| 431 | 35596 | | Debris Screen (Optional) |
| 432 | 35597 | | Debris Screen Bracket (Optional) |
| 433 | 650910 | | Screw, 8-32 x 1/4" (Optional) |

ILLUSTRATION SHOWS TYPICAL PARTS ONLY. ORDER BY PART NUMBER. PARTS NOT LISTED ARE SUPPLIED BY OEM.



| Ref # | Part Number | Qty | Description |
|-------|-------------|-----|---|
| 69 | 35261 | | * Gasket, Mounting flange |
| 72 | 30572 | | Plug, Oil drain (Incl. 73) |
| 73 | 28833 | | * Drain Plug Gasket (Do not use w/plastic plug) |
| 75 | 27897 | | Seal, Oil |
| 86 | 650488 | | Screw, 1/4-20 x 1-1/4" |
| 103 | 650814 | | Screw, Torx T-15, 10-24 x 1" |
| 153 | 35623 | | Guide, Push rod |
| 264 | 650918 | | Screw, Torx T30, 1/4-20 x 1-7/32" |
| 266 | 650917 | | Stud, Manifold |
| 266A | 29752 | | Nut & Lockwasher, 1/4-28 |
| 270 | 35720 | | Manifold Assy., Exhaust |
| 275A | 391028 | | Muffler |
| 277 | 650697A | | Screw, 5/16-18 x 2-1/2" |
| 325 | 29443 | | Clip, Fuel line |