

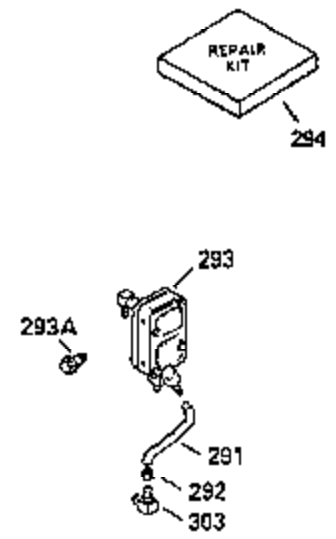
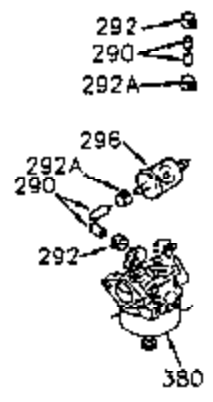
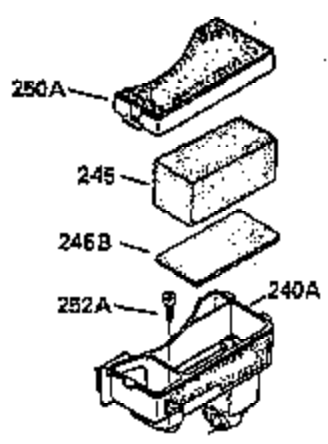
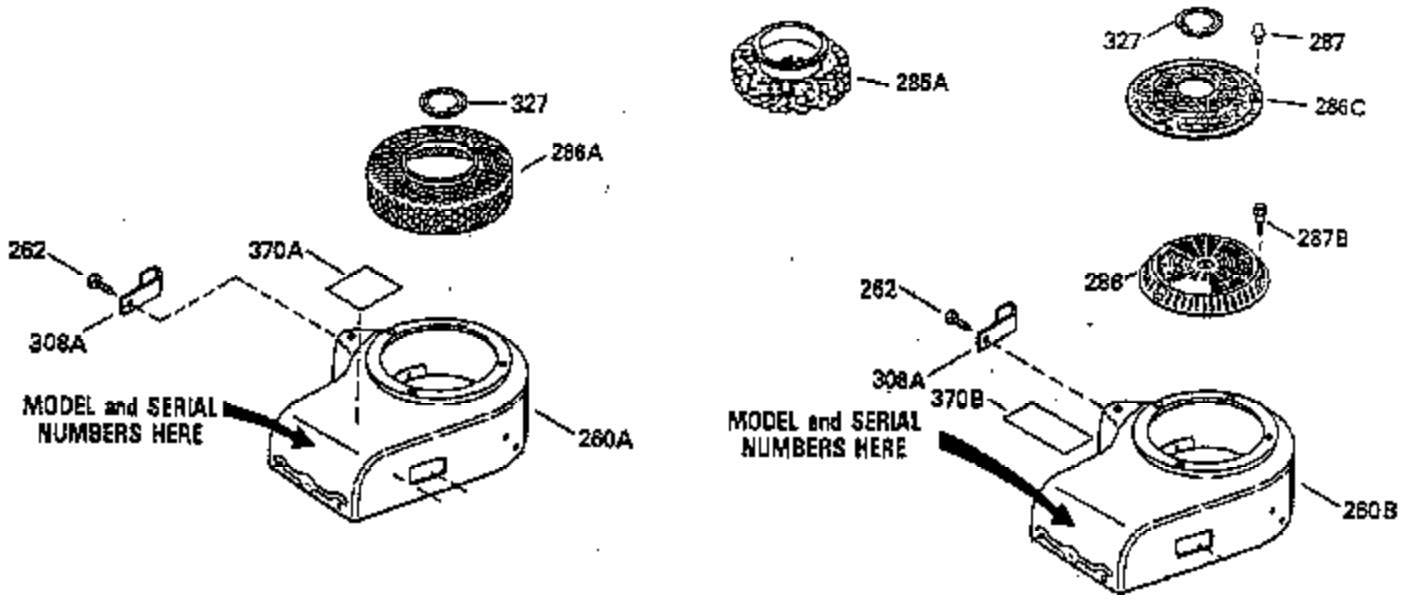


| Ref # | Part Number | Qty | Description                                 |
|-------|-------------|-----|---|
| 1     | 35399B      |     | Cylinder (Incl. 2, 20 & 104) (3-5/16" Bore) |
| 2     | 27652       |     | Dowel Pin                                   |
| 14    | 28277       |     | Washer                                      |
| 15    | 35324       |     | Governor Rod                                |
| 16    | 32651       |     | Governor Lever                              |
| 17    | 29916       |     | Governor Lever Clamp                        |
| 18    | 650548      |     | Screw, 8-32 x 5/16"                         |
| 19    | 35203       |     | Extension Spring                            |
| 20    | 35319       |     | Oil Seal                                    |
| 25    | 35326       |     | Blower Housing Baffle                       |
| 26    | 650561      |     | Screw, 1/4-20 x 5/8"                        |
| 28    | 30322       |     | Lock Nut, 8-32                              |
| 30    | 35335A      |     | Crankshaft (Counterbalance)                 |
| 31    | 35327       |     | Counterbalance Gear                         |
| 32    | 35653       |     | Shim Washer (.015") (Use as required)       |
| 35    | 29826       |     | Screw, 10-32 x 3/4"                         |
| 36    | 29918       |     | Lock Washer                                 |
| 37    | 29216       |     | Lock Nut, 10-32                             |
| 38    | 29642       |     | Retaining Ring                              |
| 40    | 35339A      |     | Piston, Pin & Ring Set (Std.) (3-5/16 ")    |
| 40    | 35340A      |     | Piston, Pin & Ring Set (.010" OS)           |
| 40    | 35341A      |     | Piston, Pin & Ring Set (.020" OS)           |
| 41    | 35329       |     | Piston & Pin Assy. (Std.) (Incl. No. 43)    |
| 41    | 35430       |     | Piston & Pin Assy. (.010" OS) (Incl. 43)    |
| 41    | 35431       |     | Piston & Pin Assy. (.020" OS) (Incl. 43)    |
| 42    | 34866A      |     | Ring Set (Std.)                             |
| 42    | 34867A      |     | Ring Set (.010" OS)                         |
| 42    | 34868A      |     | Ring Set (.020" OS)                         |
| 43    | 31919       |     | Piston Pin Retaining Ring                   |
| 45    | 35330A      |     | Connecting Rod Ass'y. (Incl. 46 & 47)       |
| 46    | 650908      |     | Connecting Rod Bolt                         |
| 47    | 650882      |     | Connecting Rod Bolt                         |
| 48    | 35313       |     | Valve Lifter                                |
| 50    | 35314       |     | Camshaft (MCR)                              |
| 51    | 35315A      |     | Counterbalance Weight                       |
| 52    | 31356       |     | Oil Pump                                    |
| 60    | 35316A      |     | Blower Housing Extension                    |
| 65    | 650128      |     | Screw, 10-24 x 1/2"                         |
| 66    | 30063       |     | Screw, Torx T-30 , 1/4-20 x 1/2"            |
| 69    | 35317       |     | * Mounting Flange Gasket                    |
| 70    | 35401A      |     | Mounting Flange (Incl. 71, 72, 75 & 8 0)    |
| 71    | 35377       |     | Crankshaft Bushing                          |
| 72    | 31927       |     | Oil Drain Plug                              |
| 75    | 35319       |     | Oil Seal                                    |
| 80    | 35320       |     | Governor Shaft                              |
| 81    | 35479       |     | Washer, Flat                                |
| 82    | 35321       |     | Governor Gear Ass'y. (Incl. 81)             |
| 83    | 35322       |     | Governor Spool                              |
| 84    | 29193       |     | Retaining Ring                              |
| 86    | 650833      |     | Screw, 1/4-20 x 1-3/16"                     |
| 88    | 31707A      |     | Spacer (Incl. 81)                           |
| 89    | 32589       |     | Flywheel Key                                |
| 90    | 611090      |     | Flywheel                                    |
| 92    | 650880      |     | Lock Washer                                 |
| 93    | 650881      |     | Flywheel Nut                                |
| 100   | 35135       |     | Solid State Ignition                        |
| 101   | 610118      |     | Spark Plug Cover                            |
| 102   | 650872      |     | Solid State Mounting Stud                   |

| Ref # | Part Number | Qty | Description                             |
|-------|-------------|-----|---|
| 103   | 650814      |     | Screw, Torx T-15, 10-24 x 1"            |
| 104   | 35400       |     | Crankshaft Bushing                      |
| 110   | 35182       |     | Ground Wire                             |
| 119   | 35306A      |     | * Cylinder Head Gasket                  |
| 120   | 35307       |     | Cylinder Head                           |
| 121   | 730218      |     | Valve Guide Kit (Incl. 2 of 122)        |
| 122   | 792035      |     | Retaining Ring                          |
| 123   | 35288       |     | Intake Pipe Brace                       |
| 124   | 650738      |     | Screw, 1/4-20 x 5/8"                    |
| 125   | 35308       |     | Exhaust Valve (Std.)                    |
| 125   | 35433       |     | Exhaust Valve (1/32" OS)                |
| 126   | 35309       |     | Intake Valve (Std.)                     |
| 126   | 35432       |     | Intake Valve (1/32" OS)                 |
| 127   | 650691      |     | Washer                                  |
| 128   | 650690      |     | Belleville Washer                       |
| 129   | 650746      |     | Screw, 5/16-18 x 1-3/8"                 |
| 130   | 650692      |     | Screw, 5/16-18 x 1-3/4"                 |
| 135   | 34046       |     | Resistor Spark Plug (RL-86C)            |
| 141   | 33481       |     | "O" Ring                                |
| 142   | 35475       |     | Push Rod Tube                           |
| 143   | 35310       |     | Rocker Arm Housing                      |
| 144   | 33484       |     | "O" Ring                                |
| 145   | 650168      |     | Washer                                  |
| 146   | 32610A      |     | Screw, 1/4-20 x 29/32"                  |
| 147   | 33509       |     | "O" Ring (Intake)                       |
| 148   | 34410       |     | "O" Ring (Exhaust)                      |
| 149   | 33510       |     | Valve Spring Cap                        |
| 150   | 33507       |     | Valve Spring                            |
| 151   | 33508       |     | Valve Spring Keeper                     |
| 152   | 35295       |     | "O" Ring                                |
| 153   | 35296       |     | Push Rod Guide                          |
| 154   | 650878      |     | Rocker Arm Stud                         |
| 155   | 35297       |     | Rocker Arm                              |
| 156   | 35298       |     | Rocker Arm Bearing                      |
| 157   | 28264       |     | Lock Nut (Incl. 162)                    |
| 158   | 35466       |     | Push Rod                                |
| 159   | 35299B      |     | "O" Ring (Incl. 161)                    |
| 160   | 35300       |     | Rocker Arm Housing                      |
| 161   | 650879      |     | Screw, Torx T-20, 8-32 x 1/2"           |
| 162   | 650903      |     | Jam Nut                                 |
| 169   | 27896A      |     | * Valve Cover Gasket                    |
| 170   | 28423       |     | Breather Body                           |
| 171   | 28424       |     | Breather Element                        |
| 172   | 28425       |     | Valve Cover                             |
| 173   | 35350       |     | Breather Tube                           |
| 174   | 650128      |     | Screw, 10-24 x 1/2"                     |
| 180   | 35301       |     | Blower Housing Extension                |
| 181   | 650128      |     | Screw, 10-24 x 1/2"                     |
| 182   | 650517      |     | Screw, 1/4-20 x 27/32"                  |
| 184   | 33263       |     | * Carburetor To Intake Pipe Gasket      |
| 185   | 35304       |     | Intake Pipe                             |
| 186B  | 35346       |     | Governor Link Spring                    |
| 186   | 35302       |     | Governor Link                           |
| 200   | 34109A      |     | Control Bracket (Incl. 203, 204 & 206 ) |
| 203   | 31342       |     | Compression Spring                      |
| 204   | 650549      |     | Screw, 5-40 x 7/16"                     |
| 206   | 610973      |     | Terminal                                |
| 210   | 27793       |     | Conduit Clip                            |

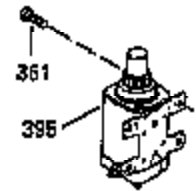
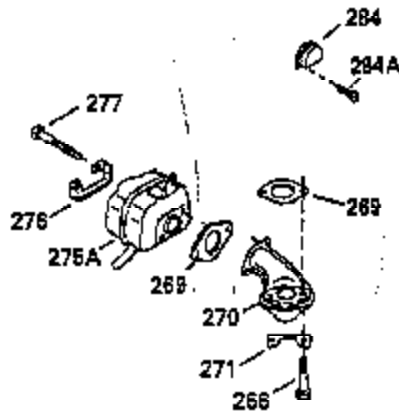
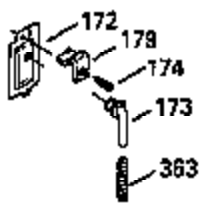
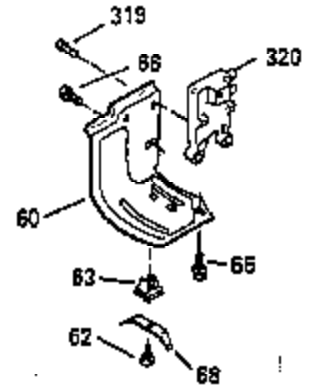
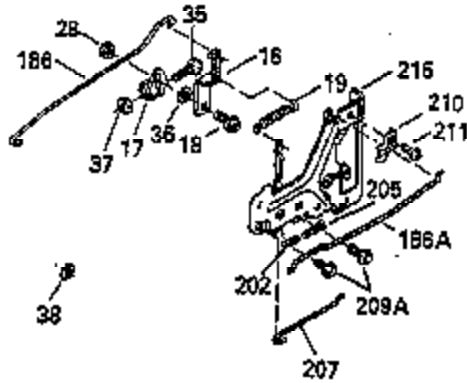
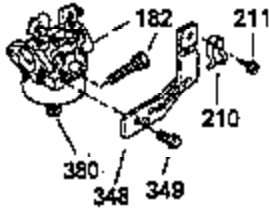
| Ref # | Part Number | Qty | Description  |
|-------|-------------|-----|--|
| 211   | 28942       |     | Screw, 10-32 x 3/8"  |
| 223   | 792028      |     | Screw, 5/16-18 x 7/8"  |
| 224   | 33515A      |     | * Intake Pipe Gasket   |
| 234   | 650825      |     | Nut & Lock Washer, 1/4-20 (Sealing)  |
| 237   | 35286       |     | Air Cleaner Adapter  |
| 238   | 650875      |     | Screw, 10-32 x 5-1/4"  |
| 239   | 33629       |     | * Carburetor Gasket  |
| 240   | 35402B      |     | Air Cleaner Body   |
| 245   | 35403       |     | Air Cleaner Element (Incl. 234)  |
| 245A  | 35404       |     | Air Cleaner Filter   |
| 250   | 35405       |     | Air Cleaner Cover  |
| 251   | 650886      |     | Wing Nut, 1/4-20   |
| 252   | 650887      |     | Screw, 1/4-20 x 1"   |
| 261   | 30063       |     | Screw, Torx T-30, 1/4-20 x 1/2"  |
| 262   | 29747B      |     | Screw, 5/16-24 x 21/32"  |
| 264A  | 30063       |     | Screw, Torx T-30, 1/4-20 x 1/2"  |
| 264   | 650273      |     | Screw, 5/16-18 x 5/8"  |
| 265   | 35290       |     | Cylinder Head Cover  |
| 266   | 650876      |     | Screw, 5/16-18 x 1-1/4"  |
| 270   | 35292       |     | Exhaust Manifold   |
| 271   | 35293       |     | Locking Plate (Manifold)   |
| 275   | 35294       |     | Muffler  |
| 276   | 35348       |     | Locking Plate  |
| 277   | 650877      |     | Screw, 5/16-18 x 4-1/2"  |
| 281   | 33013       |     | Starter Bubble Cover   |
| 282   | 650760      |     | Screw, 8-32 x 3/8"   |
| 285   | 35287A      |     | Starter Cup  |
| 287A  | 29752       |     | Nut & Lock Washer, 1/4-28  |
| 292   | 26460       |     | Fuel Line Clamp  |
| 298   | 28763       |     | Screw, 10-32 x 35/64"  |
| 307   | 33590       |     | "O" Ring   |
| 308   | 33997       |     | Fill Tube Clip   |
| 370   | 34346       |     | Instruction Decal  |
| 379   | 631021      |     | Inlet Needle, Seat & Clip Ass'y.   |
| 380   | 632413      |     | Carburetor (Incl. 184) (Refer to Division 5, Section A, page A4-2 or Fiche 12, Grid F-1 for breakdown) |
| 390   | 590633      |     | Rewind Starter (Refer to Division 5, Section C, page 30 or Fiche 12, Grid G-9 for breakdown)           |
| 400   | 35331B      |     | * Gasket Set (Incl. items marked *)  |
| 401   | 35332       |     | "O" Ring Kit (Incl. 141, 144, 147, 148, 152, 157, 159)   |
| 407   | 35837       |     | Fill Tube & Dipstick Ass'y.  |
| 420   | 730225      |     | SAE30 4-Cycle Engine Oil (Quart)   |

ILLUSTRATION SHOWS TYPICAL PARTS ONLY. ORDER BY PART NUMBER. PARTS NOT LISTED ARE SUPPLIED BY OEM. .

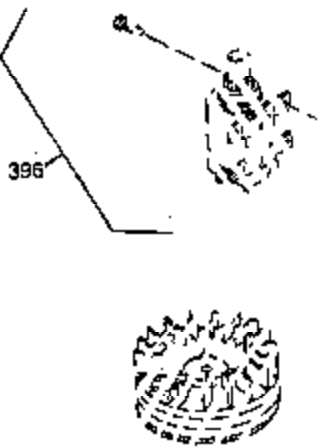


| Ref # | Part Number | Qty | Description   |
|-------|-------------|-----|---|
| 245   | 35403       |     | Air Cleaner Element (Incl. 234)   |
| 260A  | 35338A      |     | Blower Housing (Incl. 281 & 282)  |
| 262   | 29747B      |     | Screw, 5/16-24 x 21/32"   |
| 292   | 26460       |     | Fuel Line Clamp   |
| 308A  | 35437       |     | Fill Tube Clip  |
| 370B  | 34387       |     | Instruction Decal   |
| 370A  | 34686       |     | Name Decal  |
| 380   | 632413      |     | Carburetor (Incl. 184) (Refer to Division 5, Section A, page A4-2 or Fiche 12, Grid F-1for breakdown) |

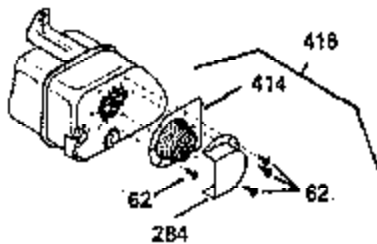
ILLUSTRATION SHOWS TYPICAL PARTS ONLY. ORDER BY PART NUMBER. PARTS NOT LISTED ARE SUPPLIED BY OEM.



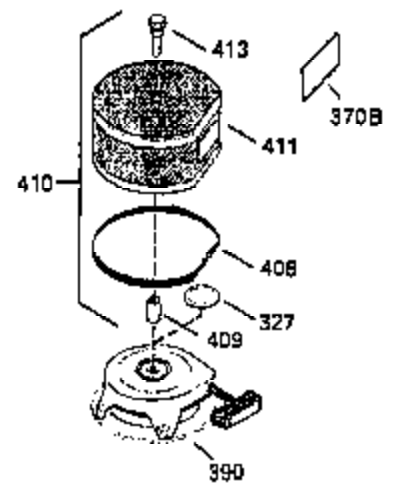
**OPTIONAL ELECTRIC STARTER MOTOR**



**OPTIONAL SPARK ARRESTOR**



**OPTIONAL DEBRIS SCREEN**



| Ref # | Part Number | Qty | Description  |
|-------|-------------|-----|--|
| 16    | 32651       |     | Governor Lever   |
| 17    | 29916       |     | Governor Lever Clamp   |
| 18    | 650548      |     | Screw, 8-32 x 5/16"  |
| 19    | 35203       |     | Extension Spring   |
| 28    | 30322       |     | Lock Nut, 8-32   |
| 35    | 29826       |     | Screw, 10-32 x 3/4"  |
| 36    | 29918       |     | Lock Washer  |
| 37    | 29216       |     | Lock Nut, 10-32  |
| 38    | 29642       |     | Retaining Ring   |
| 60    | 35316A      |     | Blower Housing Extension   |
| 65    | 650128      |     | Screw, 10-24 x 1/2"  |
| 66    | 30063       |     | Screw, Torx T-30 , 1/4-20 x 1/2"   |
| 172   | 28425       |     | Valve Cover  |
| 173   | 35350       |     | Breather Tube  |
| 174   | 650128      |     | Screw, 10-24 x 1/2"  |
| 182   | 650517      |     | Screw, 1/4-20 x 27/32"   |
| 186   | 35302       |     | Governor Link  |
| 209A  | 30200       |     | Screw, 10-24 x 9/16"   |
| 210   | 27793       |     | Conduit Clip   |
| 211   | 28942       |     | Screw, 10-32 x 3/8"  |
| 266   | 650876      |     | Screw, 5/16-18 x 1-1/4"  |
| 270   | 35292       |     | Exhaust Manifold   |
| 271   | 35293       |     | Locking Plate (Manifold)   |
| 276   | 35348       |     | Locking Plate  |
| 277   | 650877      |     | Screw, 5/16-18 x 4-1/2"  |
| 284   | 35428       |     | Muffler Deflector  |
| 284A  | 650760      |     | Screw, 8-32 x 3/8"   |
| 370B  | 34387       |     | Instruction Decal  |
| 380   | 632413      |     | Carburetor (Incl. 184) (Refer to Division 5, Section A, page A4-2 or Fiche 12, Grid F-1for breakdown)  |
| 390   | 590633      |     | Rewind Starter (Refer to Division 5, Section C, page 30 or Fiche 12, Grid G-9 for breakdown)   |
| 396   | 33329D      |     | Electric Starter Motor (120 Volt)(opt ional) Engine requires a ring gear flywheel (611091 minimum) and the cylinder must have drilled and tapped startermounting bosses to add the electric starter. |
| 408   | 35570       |     | Screen Seal  |
| 409   | 35569       |     | Spacer   |
| 410   | 730573      |     | Debris Screen Kit (Incl. 370B & 413)   |
| 411   | 35568       |     | Debris Screen  |
| 413   | 650907      |     | Screw, 5/16-18 x 1-5/8"  |
| 414   | 35352       |     | Spark Arrestor Screen (Incl.416)(Opti onal)  |
| 416   | 650760      |     | Screw, 8-32 x 3/8" (Optional)  |