

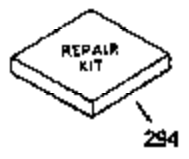
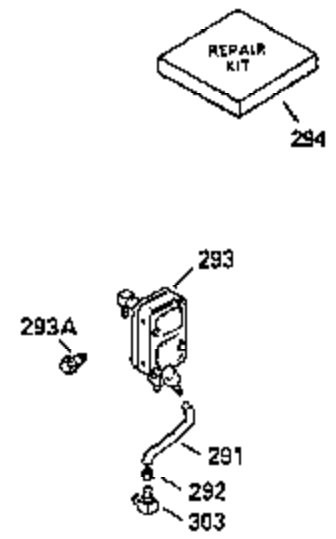
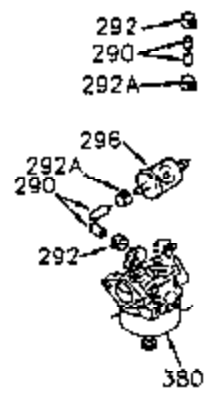
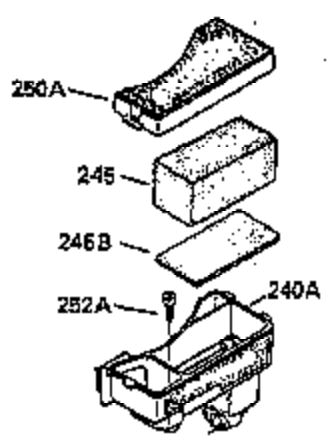
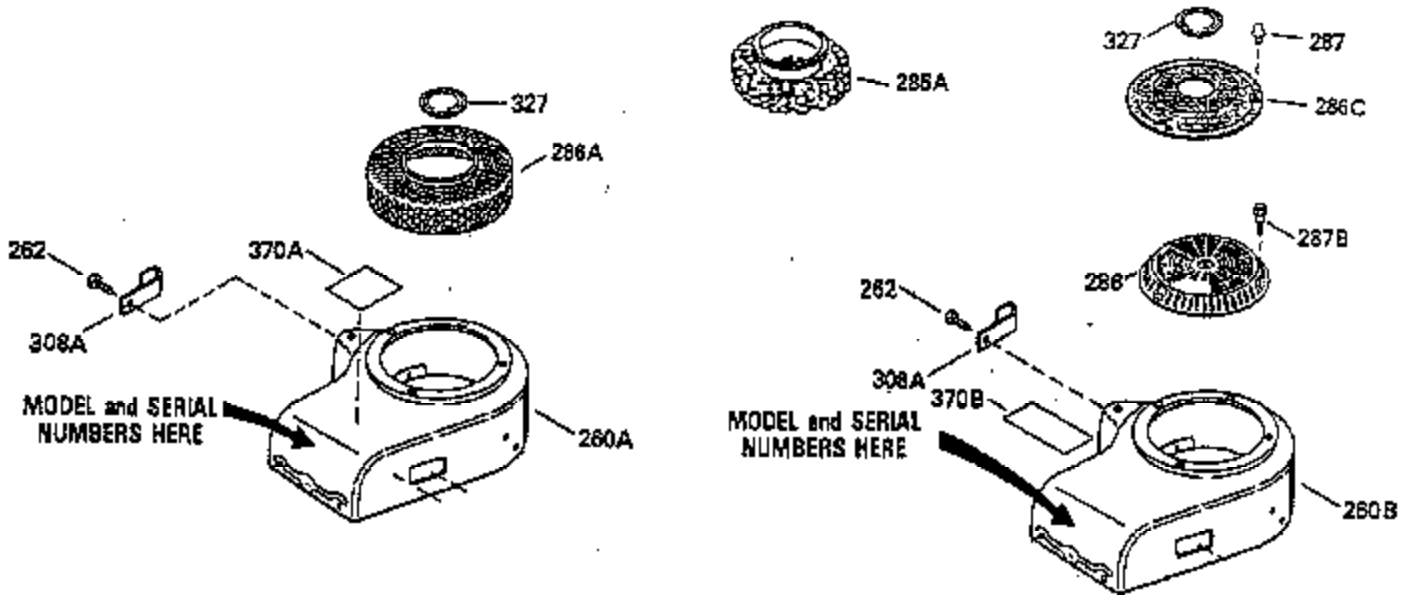


| Ref # | Part Number | Qty | Description                               |
|-------|-------------|-----|---|
| 1     | 35323A      |     | Cylinder (Incl. 2 & 20) (3-5/16" Bore )   |
| 2     | 27652       |     | Dowel Pin                                 |
| 14    | 28277       |     | Washer                                    |
| 15    | 35324       |     | Governor Rod                              |
| 16    | 35520       |     | Governor Lever                            |
| 17    | 29916       |     | Governor Lever Clamp                      |
| 18    | 650548      |     | Screw, 8-32 x 5/16"                       |
| 19    | 35203       |     | Extension Spring                          |
| 20    | 35319       |     | Oil Seal                                  |
| 25    | 35326       |     | Blower Housing Baffle                     |
| 26    | 650561      |     | Screw, 1/4-20 x 5/8"                      |
| 28    | 30322       |     | Lock Nut, 8-32                            |
| 30    | 35336B      |     | Crankshaft (Counterbalance)               |
| 31    | 35327       |     | Counterbalance Gear                       |
| 32    | 35653       |     | Shim Washer (.015") (Use as required)     |
| 35    | 29826       |     | Screw, 10-32 x 3/4"                       |
| 36    | 29918       |     | Lock Washer                               |
| 37    | 29216       |     | Lock Nut, 10-32                           |
| 38    | 29642       |     | Retaining Ring                            |
| 40    | 35776       |     | Piston, Pin & Ring Set (Std.)             |
| 40    | 35777       |     | Piston, Pin & Ring Set (.010" OS)         |
| 40    | 35778       |     | Piston, Pin & Ring Set (.020" OS)         |
| 41    | 35773       |     | Piston & Pin Ass'y. (Std.) (Incl. 43)     |
| 41    | 35774       |     | Piston & Pin Ass'y. (.010" OS) (Incl. 43) |
| 41    | 35775       |     | Piston & Pin Ass'y. (.020" OS) (Incl. 43) |
| 42    | 35779       |     | Ring Set (Std.)                           |
| 42    | 35780       |     | Ring Set (.010" O.S.)                     |
| 42    | 35781       |     | Ring Set (.020" O.S.)                     |
| 43    | 35772       |     | Piston Pin Retaining Ring                 |
| 45    | 35330A      |     | Connecting Rod Ass'y. (Incl. 46 & 47)     |
| 46    | 650908      |     | Connecting Rod Bolt                       |
| 47    | 650882      |     | Connecting Rod Bolt                       |
| 48    | 35313       |     | Valve Lifter                              |
| 50    | 35314       |     | Camshaft (MCR)                            |
| 51    | 35315A      |     | Counterbalance Weight                     |
| 52    | 31356       |     | Oil Pump                                  |
| 60    | 35316A      |     | Blower Housing Extension                  |
| 65    | 650128      |     | Screw, 10-24 x 1/2"                       |
| 66    | 30063       |     | Screw, Torx T-30 , 1/4-20 x 1/2"          |
| 69    | 35317       |     | * Mounting Flange Gasket                  |
| 70    | 35711A      |     | Mounting Flange (Incl. 72, 75 & 80)       |
| 72    | 31927       |     | Oil Drain Plug                            |
| 75    | 35319       |     | Oil Seal                                  |
| 80    | 35712       |     | Governor Shaft                            |
| 81    | 35479       |     | Washer, Flat                              |
| 82    | 35321       |     | Governor Gear Ass'y. (Incl. 81)           |
| 83    | 35322       |     | Governor Spool                            |
| 84    | 29193       |     | Retaining Ring                            |
| 86    | 650833      |     | Screw, 1/4-20 x 1-3/16"                   |
| 88    | 31707A      |     | Spacer (Incl. 81)                         |
| 89    | 32589       |     | Flywheel Key                              |
| 90    | 611093      |     | Flywheel (3 amp w/ring gear)              |
| 92    | 650880      |     | Lock Washer                               |
| 93    | 650881      |     | Flywheel Nut                              |
| 100   | 35135       |     | Solid State Ignition                      |
| 101   | 610118      |     | Spark Plug Cover                          |
| 102   | 650872      |     | Solid State Mounting Stud                 |
| 103   | 650814      |     | Screw, Torx T-15, 10-24 x 1"              |

| Ref # | Part Number | Qty | Description                             |
|-------|-------------|-----|---|
| 119   | 35306A      |     | * Cylinder Head Gasket                  |
| 120   | 35307       |     | Cylinder Head                           |
| 121   | 730218      |     | Valve Guide Kit (Incl. 2 of 122)        |
| 122   | 792035      |     | Retaining Ring                          |
| 123   | 35288       |     | Intake Pipe Brace                       |
| 124   | 650738      |     | Screw, 1/4-20 x 5/8"                    |
| 125   | 35308       |     | Exhaust Valve (Std.)                    |
| 125   | 35433       |     | Exhaust Valve (1/32" OS)                |
| 126   | 35309       |     | Intake Valve (Std.)                     |
| 126   | 35432       |     | Intake Valve (1/32" OS)                 |
| 127   | 650691      |     | Washer                                  |
| 128   | 650690      |     | Belleville Washer                       |
| 129   | 650746      |     | Screw, 5/16-18 x 1-3/8"                 |
| 130   | 650692      |     | Screw, 5/16-18 x 1-3/4"                 |
| 135   | 34046       |     | Resistor Spark Plug (RL-86C)            |
| 141   | 33481       |     | "O" Ring                                |
| 142   | 35475       |     | Push Rod Tube                           |
| 143   | 35310       |     | Rocker Arm Housing                      |
| 144   | 33484       |     | "O" Ring                                |
| 145   | 650168      |     | Washer                                  |
| 146   | 32610A      |     | Screw, 1/4-20 x 29/32"                  |
| 147   | 33509       |     | "O" Ring (Intake)                       |
| 148   | 34410       |     | "O" Ring (Exhaust)                      |
| 149   | 33510       |     | Valve Spring Cap                        |
| 150   | 33507       |     | Valve Spring                            |
| 151   | 33508       |     | Valve Spring Keeper                     |
| 152   | 35295       |     | "O" Ring                                |
| 153   | 35296       |     | Push Rod Guide                          |
| 154   | 650878      |     | Rocker Arm Stud                         |
| 155   | 35297       |     | Rocker Arm                              |
| 156   | 35298       |     | Rocker Arm Bearing                      |
| 157   | 28264       |     | Lock Nut (Incl. 162)                    |
| 158   | 35466       |     | Push Rod                                |
| 159   | 35299B      |     | "O" Ring (Incl. 161)                    |
| 160   | 35300       |     | Rocker Arm Housing                      |
| 161   | 650879      |     | Screw, Torx T-20, 8-32 x 1/2"           |
| 162   | 650903      |     | Jam Nut                                 |
| 169   | 27896A      |     | * Valve Cover Gasket                    |
| 170   | 28423       |     | Breather Body                           |
| 171   | 28424       |     | Breather Element                        |
| 172   | 28425       |     | Valve Cover                             |
| 173   | 35350       |     | Breather Tube                           |
| 174   | 650128      |     | Screw, 10-24 x 1/2"                     |
| 180   | 35301       |     | Blower Housing Extension                |
| 181   | 650128      |     | Screw, 10-24 x 1/2"                     |
| 182   | 650517      |     | Screw, 1/4-20 x 27/32"                  |
| 184   | 33263       |     | * Carburetor To Intake Pipe Gasket      |
| 185   | 35304       |     | Intake Pipe                             |
| 186B  | 35346       |     | Governor Link Spring                    |
| 186   | 35522       |     | Governor Link                           |
| 200   | 34109A      |     | Control Bracket (Incl. 203, 204 & 206 ) |
| 203   | 31342       |     | Compression Spring                      |
| 204   | 650549      |     | Screw, 5-40 x 7/16"                     |
| 210   | 27793       |     | Conduit Clip                            |
| 211   | 28942       |     | Screw, 10-32 x 3/8"                     |
| 223   | 792028      |     | Screw, 5/16-18 x 7/8"                   |
| 224   | 33515A      |     | * Intake Pipe Gasket                    |
| 234   | 650825      |     | Nut & Lock Washer, 1/4-20 (Sealing)     |

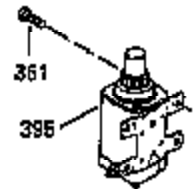
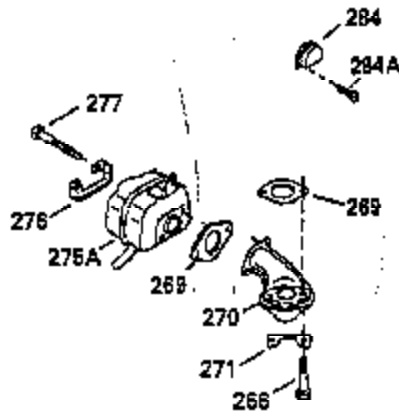
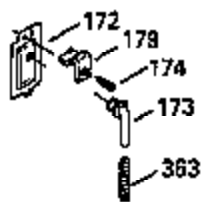
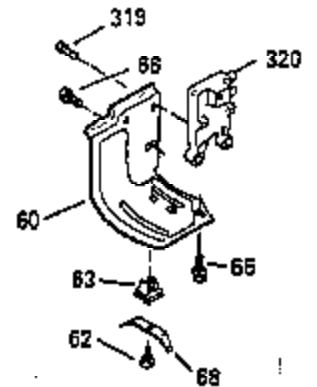
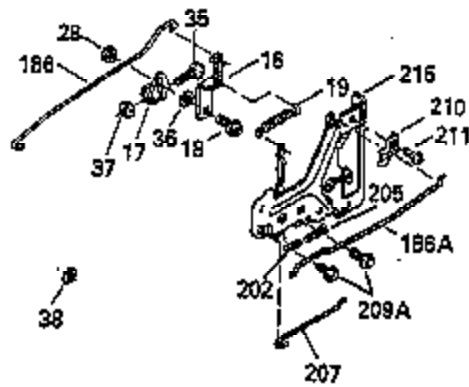
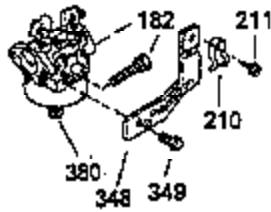
| Ref # | Part Number | Qty | Description   |
|-------|-------------|-----|---|
| 237   | 35286       |     | Air Cleaner Adapter   |
| 238   | 650875      |     | Screw, 10-32 x 5-1/4"   |
| 239   | 33629       |     | * Carburetor Gasket   |
| 240   | 35402B      |     | Air Cleaner Body  |
| 245   | 35403       |     | Air Cleaner Element (Incl. 234)   |
| 245A  | 35404       |     | Air Cleaner Filter  |
| 250   | 35405       |     | Air Cleaner Cover   |
| 251   | 650886      |     | Wing Nut, 1/4-20  |
| 252   | 650887      |     | Screw, 1/4-20 x 1"  |
| 261   | 30063       |     | Screw, Torx T-30, 1/4-20 x 1/2"   |
| 262   | 29747B      |     | Screw, 5/16-24 x 21/32"   |
| 264   | 650273      |     | Screw, 5/16-18 x 5/8"   |
| 264A  | 30063       |     | Screw, Torx T-30, 1/4-20 x 1/2"   |
| 265   | 35290       |     | Cylinder Head Cover   |
| 281   | 33013       |     | Starter Bubble Cover  |
| 282   | 650760      |     | Screw, 8-32 x 3/8"  |
| 290   | 29774       |     | Fuel Line (8 1/4" or 21cm)  |
| 292   | 26460       |     | Fuel Line Clamp   |
| 298   | 28763       |     | Screw, 10-32 x 35/64"   |
| 305   | 35574       |     | Oil Fill Tube   |
| 307   | 35499       |     | "O" Ring  |
| 308   | 33997       |     | Fill Tube Clip  |
| 310   | 35576       |     | Dipstick  |
| 325A  | 27275       |     | Wire Clip   |
| 379   | 631021      |     | Inlet Needle, Seat & Clip Ass'y.  |
| 380   | 632498      |     | Carburetor (Incl. 184) (Refer to Division 5, Section A, page A4-2 or Fiche 12, Grid F-1for breakdown) |
| 400   | 35331B      |     | * Gasket Set (Incl. items marked *)   |
| 401   | 35332       |     | "O" Ring Kit (Incl. 141, 144, 147, 148, 152, 157, 159)  |
| 420   | 730225      |     | SAE30 4-Cycle Engine Oil (Quart)  |

ILLUSTRATION SHOWS TYPICAL PARTS ONLY. ORDER BY PART NUMBER. PARTS NOT LISTED ARE SUPPLIED BY OEM. .

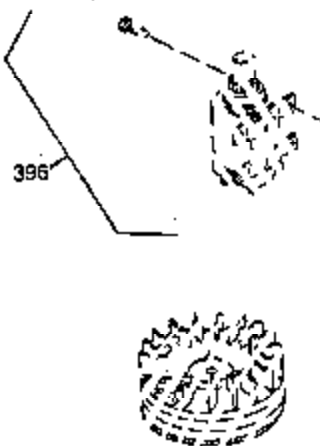


| Ref # | Part Number | Qty | Description   |
|-------|-------------|-----|---|
|       | 245 35403   |     | Air Cleaner Element (Incl. 234)   |
|       | 260B 35793  |     | Blower Housing  |
|       | 262 29747B  |     | Screw, 5/16-24 x 21/32"   |
|       | 286 35792   |     | Starter Screen  |
|       | 287B 650936 |     | Screw, 10-32 x 13/32"   |
|       | 290 29774   |     | Fuel Line (8 1/4" or 21cm)  |
|       | 292A 35864  |     | Fuel Line Clamp   |
|       | 292 26460   |     | Fuel Line Clamp   |
|       | 296 34279B  |     | Fuel Filter (Incl. 2 each of 292 & 29 2A)   |
|       | 308A 35437  |     | Fill Tube Clip  |
|       | 370A 34686  |     | Name Decal  |
|       | 380 632498  |     | Carburetor (Incl. 184) (Refer to Division 5, Section A, page A4-2 or Fiche 12, Grid F-1for breakdown) |

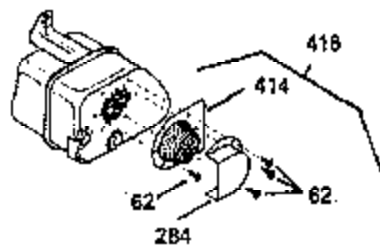
ILLUSTRATION SHOWS TYPICAL PARTS ONLY. ORDER BY PART NUMBER. PARTS NOT LISTED ARE SUPPLIED BY OEM.



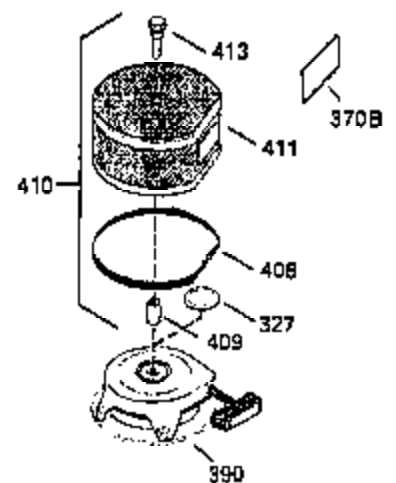
**OPTIONAL ELECTRIC STARTER MOTOR**



**OPTIONAL SPARK ARRESTOR**



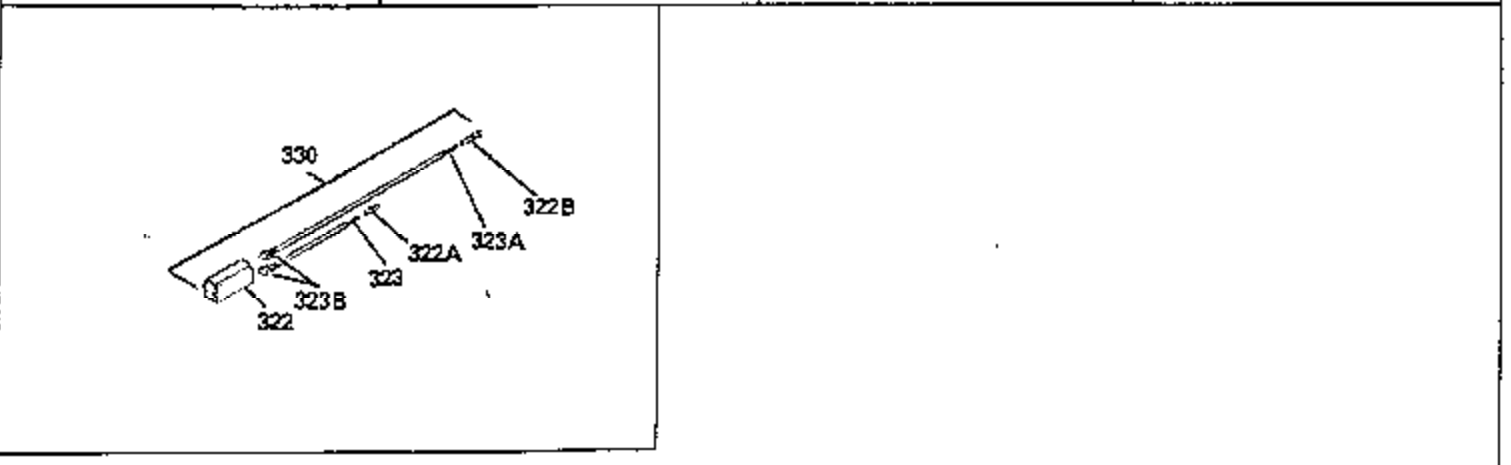
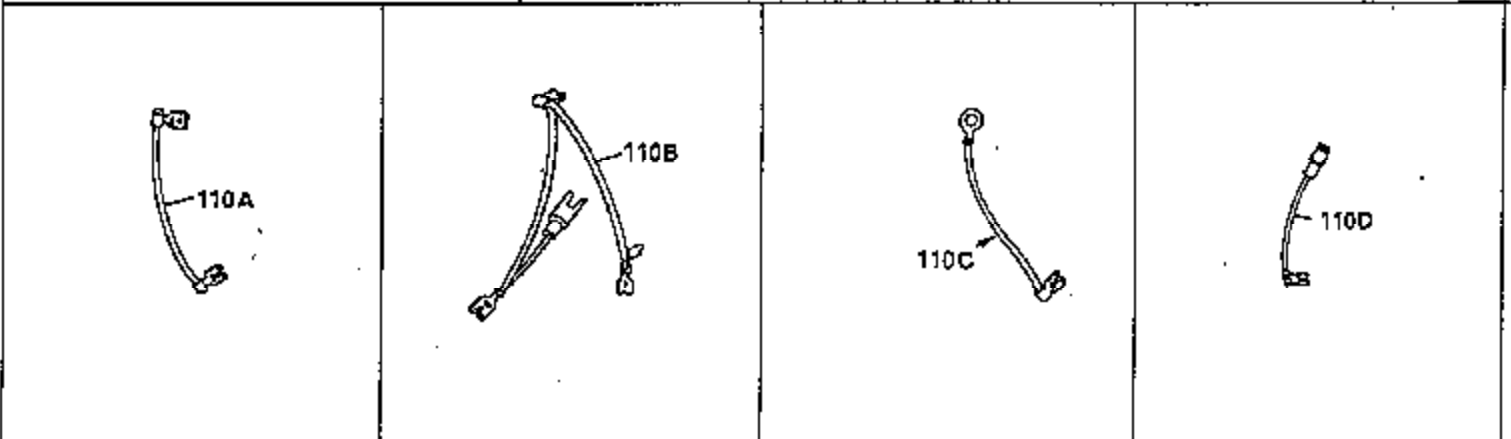
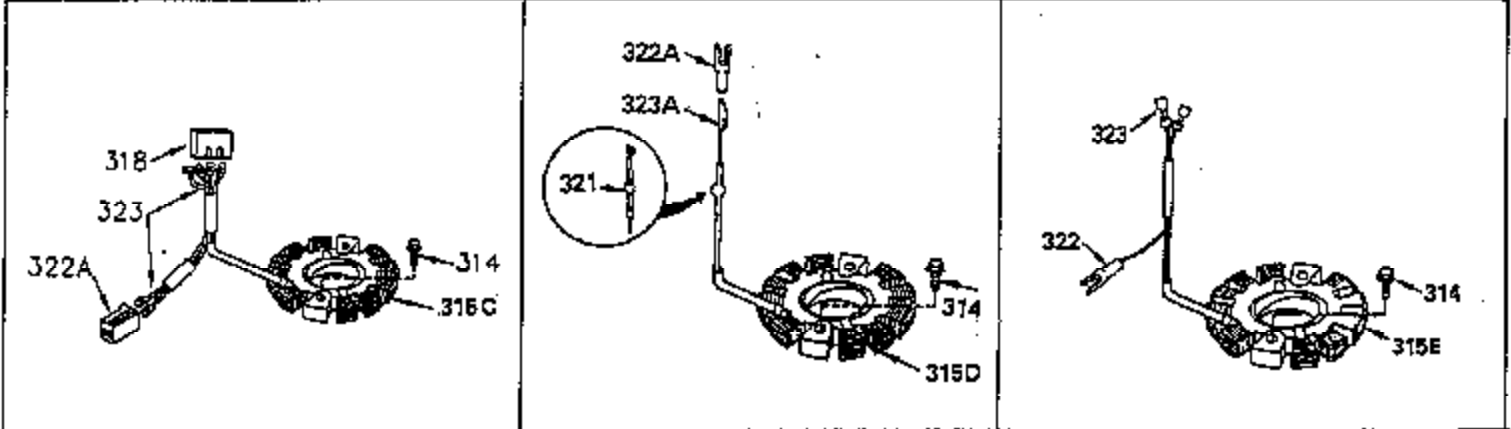
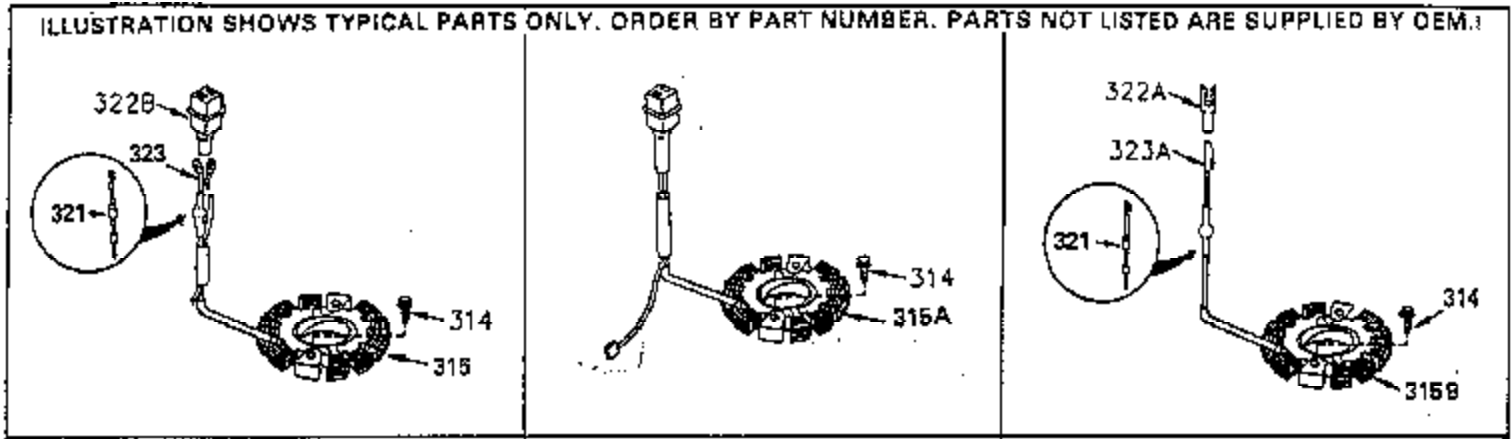
**OPTIONAL DEBRIS SCREEN**



| Ref # | Part Number | Qty | Description  |
|-------|-------------|-----|--|
|       | 16 35520    |     | Governor Lever   |
|       | 17 29916    |     | Governor Lever Clamp   |
|       | 18 650548   |     | Screw, 8-32 x 5/16"  |
|       | 19 35203    |     | Extension Spring   |
|       | 28 30322    |     | Lock Nut, 8-32   |
|       | 35 29826    |     | Screw, 10-32 x 3/4"  |
|       | 36 29918    |     | Lock Washer  |
|       | 37 29216    |     | Lock Nut, 10-32  |
|       | 38 29642    |     | Retaining Ring   |
|       | 60 35316A   |     | Blower Housing Extension   |
|       | 65 650128   |     | Screw, 10-24 x 1/2"  |
|       | 66 30063    |     | Screw, Torx T-30 , 1/4-20 x 1/2"   |
|       | 172 28425   |     | Valve Cover  |
|       | 173 35350   |     | Breather Tube  |
|       | 174 650128  |     | Screw, 10-24 x 1/2"  |
|       | 182 650517  |     | Screw, 1/4-20 x 27/32"   |
|       | 186 35522   |     | Governor Link  |
|       | 209A 30200  |     | Screw, 10-24 x 9/16"   |
|       | 210 27793   |     | Conduit Clip   |
|       | 211 28942   |     | Screw, 10-32 x 3/8"  |
|       | 284 35428   |     | Muffler Deflector  |
|       | 380 632498  |     | Carburetor (Incl. 184) (Refer to Division 5, Section A, page A4-2 or Fiche 12, Grid F-1for breakdown)  |
|       | 396 33329D  |     | Electric Starter Motor (120 Volt)(opt ional) Engine requires a ring gear flywheel (611091 minimum) and the cylinder must have drilled and tapped startermounting bosses to add the electric starter. |
|       | 414 35352   |     | Spark Arrestor Screen (Incl.416)(Opti onal)  |
|       | 416 650760  |     | Screw, 8-32 x 3/8" (Optional)  |



ILLUSTRATION SHOWS TYPICAL PARTS ONLY. ORDER BY PART NUMBER. PARTS NOT LISTED ARE SUPPLIED BY OEM.



| Ref # | Part Number | Qty | Description                              |
|-------|-------------|-----|--|
| 314   | 650873      |     | Screw, 1/4-20 x 3/4"                     |
| 315A  | 611113      |     | Alt.Coil (3 Amp DC)(Incl.321,322 & 32 3) |