

ILLUSTRATION SHOWS TYPICAL PARTS ONLY. ORDER BY PART NUMBER. PARTS NOT LISTED ARE SUPPLIED BY OEM.

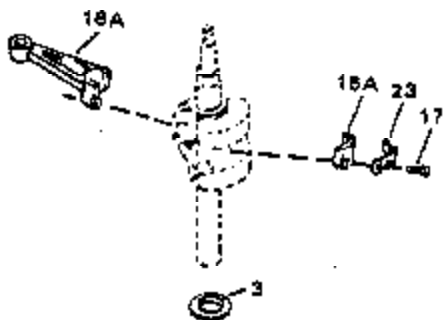
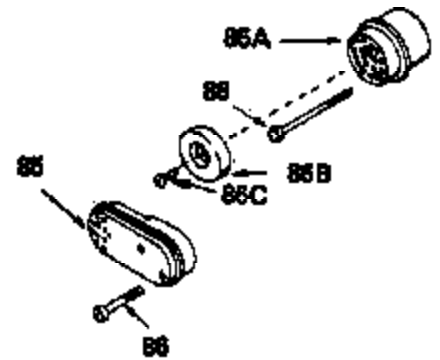
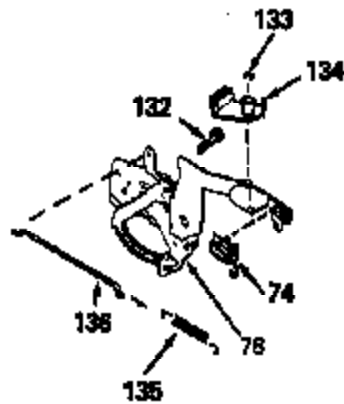
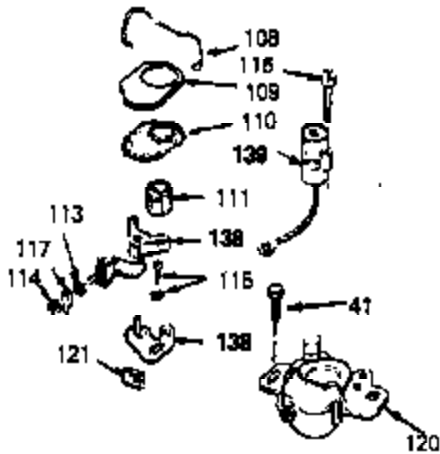
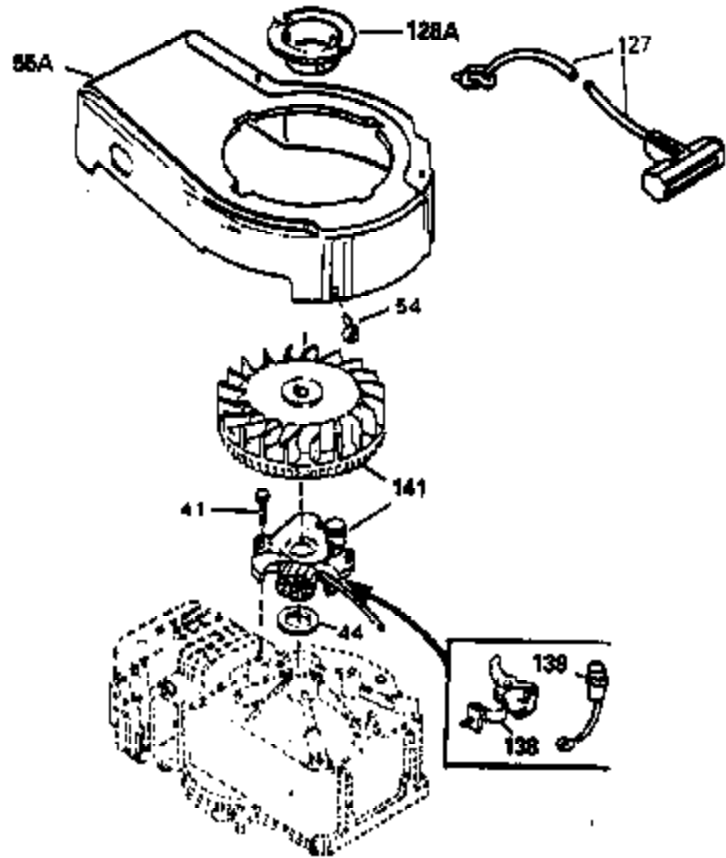
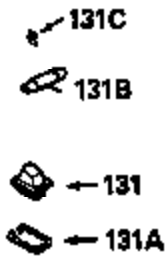


| Ref # | Part Number | Qty | Description |
|-------|-------------|-----|---|
| 1 | 33883 | | Cylinder (Incl. 2, 4 & 56) (2-5/8" Bore) |
| 2 | 26727 | | Pin, Dowel |
| 4 | 29183 | | Seal, Oil |
| 5 | 30589 | | Rod, Governor (Incl. 6) |
| 6 | 28277 | | Washer, Flat |
| 7 | 32651 | | Lever, Governor |
| 8 | 31335 | | Clamp, Governor lever (Clamp is positioned towardspark plug end on 1977-78 and latermodels. It is positioned opposite spark plugend on earlier models.) |
| 9 | 650548 | | Screw, 8-32 x 5/16" |
| 10 | 34233A | | Crankshaft |
| 11 | 29783 | | Pin, Crankshaft (Not used on late production) |
| 12 | 27613 | | Gear, Crankshaft (Not serviceable on late production) |
| 13A | 32603B | | Piston & Pin Ass'y. (Incl.14)(Std.)(2 -5/8") |
| 13A | 32604B | | Piston & Pin Ass'y. (Incl. 14) (.010" OS) |
| 13A | 32605B | | Piston & Pin Ass'y. (Incl. 14) (.020" OS) |
| 13 | 34851 | | Piston, Pin & Ring Set (Std.) (2-5/8" Bore) |
| 13 | 34852 | | Piston, Pin & Ring Set (.010" OS) |
| 13 | 34853 | | Piston, Pin & Ring Set (.020" OS) |
| 14 | 20381 | | Ring, Piston pin retaining |
| 15 | 34854 | | Ring Set (Std.) (2-5/8" Bore) |
| 15 | 34855 | | Ring Set (.010" OS) |
| 15 | 34856 | | Ring Set (.020" OS) |
| 16 | 30963B | | Rod Assy., Connecting (Incl. 17) |
| 17A | 26706 | | Bolt, Connecting rod (Early production) |
| 18 | 20747 | | Washer, Connecting rod bolt (Early prod.) |
| 19 | 27573 | | Nut, Connecting rod, 1/4-28 (Early prod.) |
| 20 | 27241 | | Lifter, Valve |
| 21 | 33553 | | Camshaft (MCR) |
| 22 | 29914 | | Pump Assy., Oil |
| 24 | 35261 | | * Gasket, Mounting flange |
| 25 | 33898 | | Flange Ass'y. (Incl. 27, 28, 29 & 30) |
| 26 | 28833 | | * Drain Plug Gasket (Not req. w/plastic plug) |
| 27 | 27244 | | Plug, Oil drain |
| 28 | 26208 | | Seal, Oil |
| 29 | 33885 | | Plug, Oil drain |
| 30 | 30574 | | Shaft, Mechanical governor |
| 31 | 30590A | | Washer, Flat |
| 32 | 30591 | | Gear Assy., Governor (Incl. 31) |
| 33 | 30588A | | Spool, Governor |
| 34 | 29193 | | Ring, Retaining |
| 35 | 650488 | | Screw, 1/4-20 x 1-1/4" |
| 36 | 29314B | | Intake Valve (Std.) (Incl. 40) |
| 36 | 29315C | | Intake Valve (1/32" OS) (Incl. 40) |
| 37 | 29313C | | Exhaust Valve (Std.) (Incl. 40) |
| 37 | 29315C | | Exhaust Valve (1/32" OS) (Incl. 40) |
| 38A | 31671 | | Cap, Upper valve spring (Intake) |
| 38 | 31671 | | Cap, Upper valve spring |
| 39 | 31672 | | Spring, Valve (Exhaust) |
| 40 | 31673 | | Cap, Lower valve spring |
| 42 | 610118 | | Cover, Spark plug (Use as required) |
| 43 | 27275 | | Clip, Hi tension wire |
| 45 | 610961 | | Key, Flywheel |
| 46 | 34214A | | Breather Ass'y. (Incl. 47 thru 51) |
| 47 | 33735 | | * Gasket, Breather |
| 48 | 33734 | | Element, Breather |
| 49 | 30200 | | Screw, 10-24 x 9/16" |

| Ref # | Part Number | Qty | Description |
|-------|-------------|-----|---|
| 50 | 33886 | | Tube, Breather |
| 51 | 33887 | | Clip, Breather tube |
| 52 | 35182 | | Ground Wire |
| 54 | 650561 | | Screw, 1/4-20 x 5/8" |
| 55 | 33891B | | Housing, Blower |
| 56 | 650737 | | Screw, 1/4-20 x 1/2" |
| 56A | 650738 | | Screw, 1/4-20 x 5/8" |
| 57 | 33015 | | * Gasket, Cylinder head |
| 58 | 33016A | | Head, Cylinder |
| 59 | 26073 | | Washer, Flat (Not used on late production) |
| 60 | 6021A | | Screw, 5/16-18 x 1-1/2" |
| 61 | 650697A | | Screw, 5/16-18 x 2-1/2" |
| 62 | 33892 | | Spacer |
| 63 | 30593 | | Clip, Magneto wire |
| 64 | 33636 | | Resistor Spark Plug (RJ-8C) |
| 64 | 34251 | | Resistor Spark Plug (RJ-17LM) |
| 65 | 27234 | | * Gasket, Valve spring cover |
| 66 | 32755 | | Cover, Valve spring box |
| 67 | 650128 | | Screw, 10-24 x 1/2" |
| 68 | 32649 | | * Gasket, Intake pipe |
| 69 | 33004A | | Pipe, Intake (Incl. 68) |
| 70 | 650451 | | Screw, 1/4-20 x 1" |
| 71 | 31688 | | * Gasket, Carburetor |
| 72 | 6201 | | Screw, 1/4-28 x 7/8" |
| 73 | 29752 | | Nut & Lockwasher Assy. |
| 74 | 610973 | | Terminal Assy. (Use as required) |
| 76 | 34310 | | Lever, Control |
| 77 | 33889A | | Control Bracket (Incl. 74, 76 & 79) |
| 79 | 650804 | | Screw, 10-24 x 9/16" |
| 80 | 27793 | | Clip, Conduit |
| 80A | 28942 | | Screw, 10-32 x 3/8" |
| 81 | 33133 | | Link, Throttle |
| 82 | 33295 | | Link, Governor spring |
| 83 | 33890 | | Spring, Governor |
| 86A | 30081 | | * Gasket, Muffler |
| 87 | 34265 | | Gasket, Oil fill tube |
| 89 | 33893A | | Tube, Oil filler |
| 90 | 33894A | | Dipstick, Oil (Incl. 91) |
| 91 | 33590 | | "O" Ring |
| 92 | 33895 | | Body, Air cleaner |
| 93 | 33896 | | Filter, Air cleaner |
| 94 | 33897 | | Cover, Air cleaner |
| 95 | 650762 | | Screw, 10-32 x 1-29/32" |
| 96 | 650784 | | Screw, 10-24 x 11/16" |
| 97 | 33051 | | * Gasket, Air cleaner |
| 100 | 30705 | | Fuel Line (Braided 16") |
| 101 | 26460 | | Clamp, Fuel line |
| 102 | 29443 | | Clip, Fuel line |
| 103 | 33904B | | Fuel Tank (Incl. 101) |
| 104 | 28763 | | Screw, 10-32 x 19/32" |
| 105 | 730207 | | Magneto-to-Solid State Conversion Kit (Includes solid state module, Solid State Flywheel Key, and instructions) (Use as required on external ignition engines only) |
| 122 | 650791 | | Washer, Flat |
| 123 | 650815 | | Washer, Belleville |
| 124 | 650607 | | Nut, Flywheel |
| 125 | 34099 | | Bracket |

| Ref # | Part Number | Qty | Description |
|-------|-------------|-----|--|
| 126 | 27070 | | Lockwasher |
| 137 | 631021 | | Inlet Needle, Seat & Clip Assy. |
| 140 | 631784A | | Carburetor (Incl. 68, 71 & 137) (Refer to Division 5, Section A, page 140 for breakdown) |
| 142 | 590519 | | Side Mount Rewind Starter (Refer to Division 5, Section C, page 27 for breakdown) |
| 144 | 33906A | | * Gasket Set (Incl. items marked *) |

ILLUSTRATION SHOWS TYPICAL PARTS ONLY. ORDER BY PART NUMBER. PARTS NOT LISTED ARE SUPPLIED BY OEM.



| Ref # | Part Number | Qty | Description |
|-------|-------------|-----|---|
| | 23 32609 | | Plate, Lock (Used on early production with No. 32610 connecting rod bolt. Donot use with No. 32610A locking type bolt.) |
| | 41 650489 | | Screw, 1/4-20 x 5/8" |
| | 44 33876 | | Gasket, Stator |
| | 54 650561 | | Screw, 1/4-20 x 5/8" |
| | 74 610973 | | Terminal Assy. (Use as required) |
| | 128A 33914 | | Cup (Early production only, not w/650 791) |
| | 138 30547A | | Contact Assy., Breaker |
| | 139 30548B | | Condenser |
| | 141 610793A | | Magneto (w/ring gear) NOTE: The complete magneto is not available as an assembly. The magneto number is shown for reference purposes only. Order componentparts individually, as shown in parts list. (Refer to Division 5, Section B, page 35 for breakdown) |
| | 143 | | Electric Starter Kit (Supplied by OEM) |