

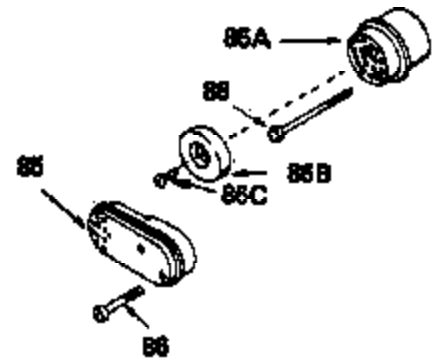
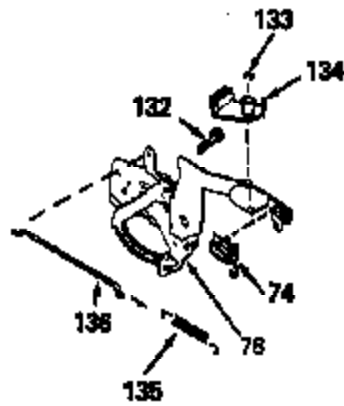
ILLUSTRATION SHOWS TYPICAL PARTS ONLY. ORDER BY PART NUMBER. PARTS NOT LISTED ARE SUPPLIED BY OEM.



| Ref # | Part Number | Qty | Description                              |
|-------|-------------|-----|--|
| 1     | 34429A      |     | Cylinder (Incl. 2 & 4)                   |
| 2     | 26727       |     | Dowel Pin                                |
| 4     | 32600       |     | Oil Seal                                 |
| 5     | 30589       |     | Governor Rod (Incl. 6)                   |
| 6     | 28277       |     | Washer                                   |
| 7     | 32651       |     | Governor Lever                           |
| 8     | 31335       |     | Governor Lever Clamp                     |
| 9     | 650548      |     | Screw, 8-32 x 5/16"                      |
| 10    | 34430       |     | Crankshaft                               |
| 13A   | 35541       |     | Piston & Pin Ass'y. (Std.) (Incl. 14)    |
| 13A   | 35542       |     | Piston & Pin Ass'y. (.010 OS) (Incl.1 4) |
| 13A   | 35543       |     | Piston & Pin Ass'y. (.020 OS) (Incl.1 4) |
| 13    | 35544       |     | Piston, Pin & Ring Ass'y. (Std.)         |
| 13    | 35545       |     | Piston, Pin & Ring Ass'y. (.010 OS)      |
| 13    | 35546       |     | Piston, Pin & Ring Ass'y. (.020 OS)      |
| 14    | 20381       |     | Piston Pin Retaining Ring                |
| 15    | 35547       |     | Ring Set (Std.)                          |
| 15    | 35548       |     | Ring Set (.010 OS)                       |
| 15    | 35549       |     | Ring Set (.020 OS)                       |
| 16    | 30963B      |     | Connecting Rod (Incl. 17)                |
| 17    | 32610A      |     | Connecting Rod Bolt                      |
| 20    | 27241       |     | Lifter Valve                             |
| 21    | 33553       |     | Camshaft (Mech. Compression Release)     |
| 22    | 29914       |     | Oil Pump                                 |
| 24    | 35261       |     | * Mounting Flange Gasket                 |
| 25    | 35651B      |     | Mounting Flange (Incl. 27 thru 30)       |
| 27    | 30572       |     | Oil Drain Plug                           |
| 28    | 26208       |     | Oil Seal                                 |
| 30    | 30574       |     | Governor Shaft                           |
| 31    | 35479       |     | Washer                                   |
| 32    | 30591       |     | Governor Gear (Incl. 31)                 |
| 33    | 30588A      |     | Governor Spool                           |
| 34    | 29193       |     | Retaining Ring                           |
| 35    | 650488      |     | Screw, 1/4-20 x 1-1/4"                   |
| 36    | 29314B      |     | Intake Valve (Std.) (Incl. 40)           |
| 36    | 29315C      |     | Intake Valve (1/32" OS) (Incl. 40)       |
| 37    | 29313C      |     | Exhaust Valve (Std.) (incl. 40)          |
| 37    | 29315C      |     | Exhaust Valve (1/32" OS) (Incl. 40)      |
| 39    | 31672       |     | Valve Spring                             |
| 40    | 31673       |     | Lower Valve Spring Cap                   |
| 42    | 610118      |     | Spark Plug Cover                         |
| 45    | 611004      |     | Flywheel Key                             |
| 46    | 34214A      |     | Breather Ass'y. (Incl. 47 thru 51)       |
| 47    | 33735       |     | * Breather Gasket                        |
| 48    | 33734       |     | Breather Element                         |
| 49    | 30200       |     | Screw, 10-24 x 9/16"                     |
| 50    | 33886       |     | Breather Tube                            |
| 51    | 33887       |     | Breather Clip                            |
| 52    | 34231       |     | Ground Wire                              |
| 53    | 30200       |     | Screw, 10-24 x 9/16"                     |
| 54    | 650561      |     | Screw, 1/4-20 x 5/8"                     |
| 55    | 33907A      |     | Blower Housing                           |
| 57    | 33015A      |     | * Cylinder Head Gasket                   |
| 58    | 34342       |     | Cylinder Head                            |
| 60    | 6021A       |     | Screw, 5/16-18 x 1-1/2"                  |
| 64    | 35395       |     | Resistor Spark Plug (RJ19LM)             |
| 65    | 27234A      |     | * Valve Spring Box Gasket                |
| 66    | 32755       |     | Valve Spring Box Cover                   |

| Ref # | Part Number | Qty | Description                         |
|-------|-------------|-----|-------------------------------------|
| 67    | 650128      |     | Screw, 10-24 x 1/2"                 |
| 68    | 34690A      |     | * Intake Pipe Gasket                |
| 69    | 33004A      |     | Intake Pipe (Incl. 68)              |
| 70    | 650451      |     | Screw, 1/4-20 x 1"                  |
| 71    | 31688A      |     | * Carburetor Gasket                 |
| 72    | 6201        |     | Screw, 1/4-28 x 7/8"                |
| 73    | 29752       |     | Lock Nut, 1/4-28                    |
| 74    | 610973      |     | Terminal                            |
| 76    | 34310       |     | R.P.M. Adjusting Lever              |
| 77    | 33889A      |     | Control Bracket (Incl. 74, 76 & 79) |
| 79    | 650804      |     | Screw, 10-24 x 9/16"                |
| 80A   | 28942       |     | Screw, 10-32 x 3/8"                 |
| 80    | 27793       |     | Conduit Clip                        |
| 81    | 34336       |     | Throttle Link                       |
| 82    | 33151       |     | Governor Link                       |
| 83    | 33890       |     | Extension Spring                    |
| 86A   | 30081A      |     | * Exhaust Gasket                    |
| 87    | 34265       |     | Fill Tube Gasket                    |
| 88    | 650562      |     | Screw, 10-32 x 1/2"                 |
| 89    | 35581       |     | Oil Fill Tube                       |
| 90    | 35582       |     | Dipstick                            |
| 91    | 35499       |     | "O" Ring                            |
| 92    | 33895       |     | Air Cleaner Body                    |
| 93    | 33896       |     | Air Cleaner Filter                  |
| 94    | 33897       |     | Air Cleaner Cover                   |
| 95    | 650762      |     | Screw, 10-32 x 1-29/32"             |
| 96    | 650804      |     | Screw, 10-24 x 9/16"                |
| 97    | 33051       |     | * Air Cleaner Gasket                |
| 100   | 30705       |     | Fuel Line                           |
| 101   | 26460       |     | Fuel Line Clamp                     |
| 102   | 29443       |     | Spring Clip                         |
| 103   | 33904B      |     | Fuel Tank (Incl. 100 & 101)         |
| 104   | 28763       |     | Screw, 10-32 x 19/32"               |
| 105   | 34443A      |     | Solid State Ignition                |
| 106   | 650814      |     | Screw, 10-24 x 1"                   |
| 106A  | 34080       |     | Flywheel Key Spacer                 |
| 107   | 611050      |     | Flywheel                            |
| 123   | 650815      |     | Belleville Washer                   |
| 124   | 650816      |     | Flywheel Nut                        |
| 128   | 34461       |     | Starter Pulley                      |
| 140   | 632050A     |     | Carburetor (Incl. 71)               |
| 144   | 33906B      |     | Gasket Set (Incl. items marked *)   |

ILLUSTRATION SHOWS TYPICAL PARTS ONLY. ORDER BY PART NUMBER. PARTS NOT LISTED ARE SUPPLIED BY OEM.



| Ref # | Part Number | Qty | Description          |
|-------|-------------|-----|----------------------|
| 17    | 32610A      |     | Connecting Rod Bolt  |
| 54    | 650561      |     | Screw, 1/4-20 x 5/8" |
| 74    | 610973      |     | Terminal             |
| 127   | 590343      |     | Starter Rope Ass'y.  |