

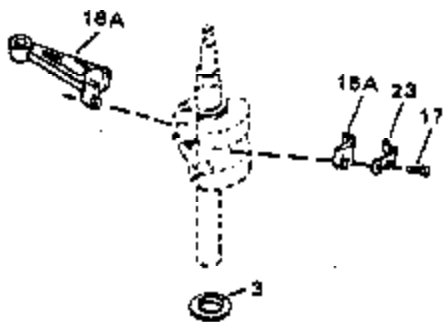
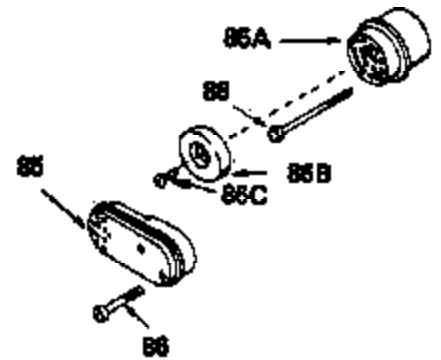
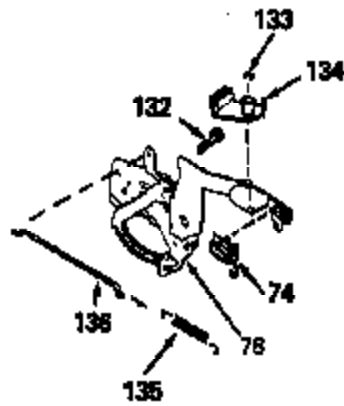
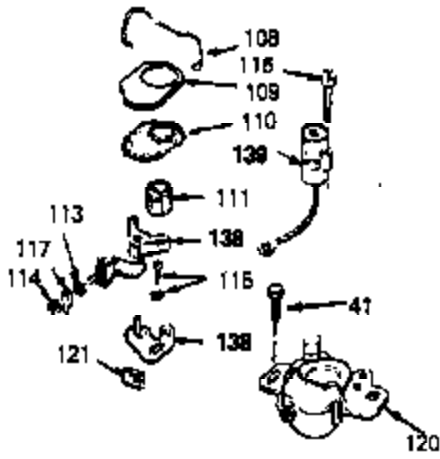
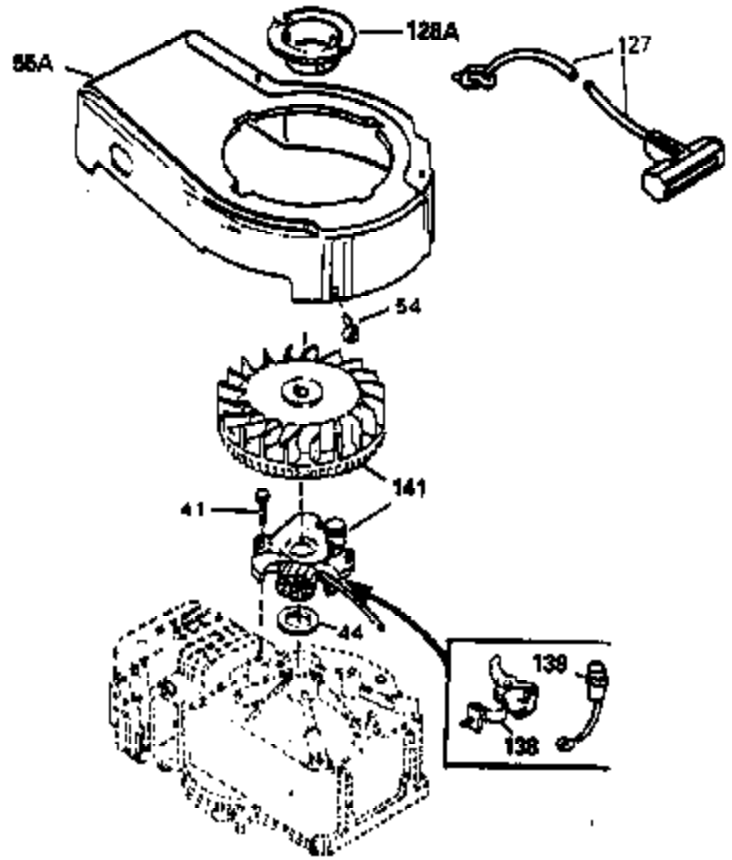
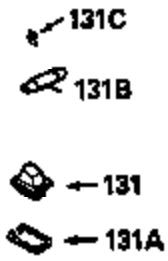
ILLUSTRATION SHOWS TYPICAL PARTS ONLY. ORDER BY PART NUMBER. PARTS NOT LISTED ARE SUPPLIED BY OEM.



| Ref # | Part Number | Qty | Description   |
|-------|-------------|-----|---|
| 1     | 33899A      |     | Cylinder (Incl. 2, 4 & 56) (2-13/16" Bore)  |
| 2     | 26727       |     | Pin, Dowel  |
| 4     | 32600       |     | Seal, Oil   |
| 5     | 30589       |     | Rod, Governor (Incl. 6)   |
| 6     | 28277       |     | Washer, Flat  |
| 7     | 32651       |     | Lever, Governor   |
| 8     | 31335       |     | Clamp, Governor lever (Clamp is positioned towardspark plug end on 1977-78 and latermodels. It is positioned opposite spark plugend on earlier models.) |
| 9     | 650548      |     | Screw, 8-32 x 5/16"   |
| 10    | 34085       |     | Crankshaft  |
| 11    | 29783       |     | Pin, Crankshaft (Not used on late pro duction)  |
| 12    | 27613       |     | Gear, Crankshaft (Not serviceable on late production)   |
| 13A   | 33562B      |     | Piston & Pin Ass'y.(Incl.14)(Std.)(2- 13/16")   |
| 13A   | 33563B      |     | Piston & Pin Ass'y. (Incl. 14) (.010" OS)   |
| 13A   | 33564B      |     | Piston & Pin Ass'y. (Incl. 14) (.020" OS)   |
| 13    | 34535       |     | Piston, Pin & Ring Set (Std.) (2-13/1 6" Bore)  |
| 13    | 34536       |     | Piston, Pin & Ring Set (.010" OS)   |
| 13    | 34537       |     | Piston, Pin & Ring Set (.020" OS)   |
| 14    | 20381       |     | Ring, Piston pin retaining  |
| 15    | 33567       |     | Ring Set (Std.) (2-13/16" Bore)   |
| 15    | 33568       |     | Ring Set (.010" OS)   |
| 15    | 33569       |     | Ring Set (.020" OS)   |
| 17    | 32610A      |     | Bolt, Connecting rod  |
| 20    | 27241       |     | Lifter, Valve   |
| 21    | 33553       |     | Camshaft (MCR)  |
| 22    | 29914       |     | Pump Assy., Oil   |
| 24    | 35261       |     | * Gasket, Mounting flange   |
| 25    | 33901       |     | Flange Ass'y. (Incl. 27, 28, 29 & 30)   |
| 26    | 28833       |     | * Drain Plug Gasket (Not req. w/plastic plug)   |
| 27    | 27244       |     | Plug, Oil drain   |
| 28    | 27897       |     | Seal, Oil   |
| 29    | 33885       |     | Plug, Oil drain   |
| 30    | 30574       |     | Shaft, Mechanical governor  |
| 31    | 30590A      |     | Washer, Flat  |
| 32    | 31947       |     | Gear Assy., Governor  |
| 33    | 33903       |     | Spool, Governor   |
| 34    | 29193       |     | Ring, Retaining   |
| 35    | 650488      |     | Screw, 1/4-20 x 1-1/4"  |
| 36    | 29314B      |     | Intake Valve (Std.) (Incl. 40)  |
| 36    | 29315C      |     | Intake Valve (1/32" OS) (Incl. 40)  |
| 37    | 29313C      |     | Exhaust Valve (Std.) (Incl. 40)   |
| 37    | 29315C      |     | Exhaust Valve (1/32" OS) (Incl. 40)   |
| 38    | 31671       |     | Cap, Upper valve spring   |
| 38A   | 31671       |     | Cap, Upper valve spring (Intake)  |
| 39    | 31672       |     | Spring, Valve (Exhaust)   |
| 40    | 31673       |     | Cap, Lower valve spring   |
| 42    | 610118      |     | Cover, Spark plug (Use as required)   |
| 43    | 27275       |     | Clip, Hi tension wire   |
| 45    | 610951      |     | Key, Flywheel   |
| 46    | 34214A      |     | Breather Ass'y. (Incl. 47 thru 51)  |
| 47    | 33735       |     | * Gasket, Breather  |
| 48    | 33734       |     | Element, Breather   |
| 49    | 30200       |     | Screw, 10-24 x 9/16"  |
| 50    | 33886       |     | Tube, Breather  |
| 51    | 33887       |     | Clip, Breather tube   |
| 52    | 33888       |     | Ground Wire   |

| Ref # | Part Number | Qty | Description   |
|-------|-------------|-----|---|
| 54    | 650561      |     | Screw, 1/4-20 x 5/8"  |
| 57    | 33554       |     | * Gasket, Cylinder head   |
| 58    | 33016A      |     | Head, Cylinder  |
| 59    | 26073       |     | Washer, Flat (Not used on late production)  |
| 60    | 6021A       |     | Screw, 5/16-18 x 1-1/2"   |
| 61    | 650697A     |     | Screw, 5/16-18 x 2-1/2"   |
| 62    | 33892       |     | Spacer  |
| 63    | 30593       |     | Clip, Magneto wire  |
| 64    | 33636       |     | Resistor Spark Plug (RJ-8C)   |
| 64    | 34251       |     | Resistor Spark Plug (RJ-17LM)   |
| 65    | 27234       |     | * Gasket, Valve spring cover  |
| 66    | 32755       |     | Cover, Valve spring box   |
| 67    | 650128      |     | Screw, 10-24 x 1/2"   |
| 68    | 32649       |     | * Gasket, Intake pipe   |
| 69    | 33004A      |     | Pipe, Intake (Incl. 68)   |
| 70    | 650451      |     | Screw, 1/4-20 x 1"  |
| 71    | 31688       |     | * Gasket, Carburetor  |
| 72    | 6201        |     | Screw, 1/4-28 x 7/8"  |
| 73    | 29752       |     | Nut & Lockwasher Assy.  |
| 74    | 610973      |     | Terminal Assy. (Use as required)  |
| 81    | 33133       |     | Link, Throttle  |
| 82    | 33295       |     | Link, Governor spring   |
| 83    | 31361       |     | Spring, Governor  |
| 83A   | 33086       |     | Lever, Speed adjusting  |
| 86A   | 30081       |     | * Gasket, Muffler   |
| 87    | 34265       |     | Gasket, Oil fill tube   |
| 89    | 33893A      |     | Tube, Oil filler  |
| 90    | 33894A      |     | Dipstick, Oil (Incl. 91)  |
| 91    | 33590       |     | "O" Ring  |
| 92    | 33895       |     | Body, Air cleaner   |
| 93    | 33896       |     | Filter, Air cleaner   |
| 94    | 33897       |     | Cover, Air cleaner  |
| 95    | 650762      |     | Screw, 10-32 x 1-29/32"   |
| 96    | 650784      |     | Screw, 10-24 x 11/16"   |
| 97    | 33051       |     | * Gasket, Air cleaner   |
| 100   | 30705       |     | Fuel Line (Braided 16")   |
| 101   | 26460       |     | Clamp, Fuel line  |
| 102   | 29443       |     | Clip, Fuel line   |
| 103   | 33904B      |     | Fuel Tank (Incl. 101)   |
| 104   | 28763       |     | Screw, 10-32 x 19/32"   |
| 105   | 730207      |     | Magneto-to-Solid State Conversion Kit (Includes solid state module, Solid State Flywheel Key, and instructions) (Use as required on external ignition engines only) |
| 123   | 650815      |     | Washer, Belleville  |
| 124   | 650607      |     | Nut, Flywheel   |
| 128   | 34461       |     | Pulley, Starter   |
| 137   | 631021      |     | Inlet Needle, Seat & Clip Assy.   |
| 140   | 631831      |     | Carburetor (Incl. 71 & 137) (Refer to Division 5, Section A, page 132 for breakdown)  |
| 144   | 33906A      |     | * Gasket Set (Incl. items marked *)   |

ILLUSTRATION SHOWS TYPICAL PARTS ONLY. ORDER BY PART NUMBER. PARTS NOT LISTED ARE SUPPLIED BY OEM.



| Ref # | Part Number | Qty | Description   |
|-------|-------------|-----|---|
|       | 3 32323     |     | Washer, Thrust  |
| 16A   | 32875       |     | Rod Assy., Connecting (Incl. 17)  |
| 17    | 32610A      |     | Bolt, Connecting rod  |
| 23    | 32609       |     | Plate, Lock (Used on early production with No. 32610 connecting rod bolt. Donot use with No. 32610A locking type bolt.)   |
| 41    | 650489      |     | Screw, 1/4-20 x 5/8"  |
| 44    | 33876       |     | Gasket, Stator  |
| 54    | 650561      |     | Screw, 1/4-20 x 5/8"  |
| 55A   | 33907A      |     | Housing, Blower   |
| 74    | 610973      |     | Terminal Assy. (Use as required)  |
| 127   | 590343      |     | Rope Assy., Starter   |
| 128A  | 33914       |     | Cup (Early production only, not w/650 791)  |
| 138   | 30547A      |     | Contact Assy., Breaker  |
| 139   | 30548B      |     | Condenser   |
| 141   | 610900A     |     | Magneto (w/ring gear) NOTE: The complete magneto is not available as an assembly. The magneto number is shown for reference purposes only. Order componentparts individually, as shown in parts list. (Refer to Division 5, Section B, page 35 for breakdown) |
| 143   |             |     | Electric Starter Kit (Supplied by OEM )   |