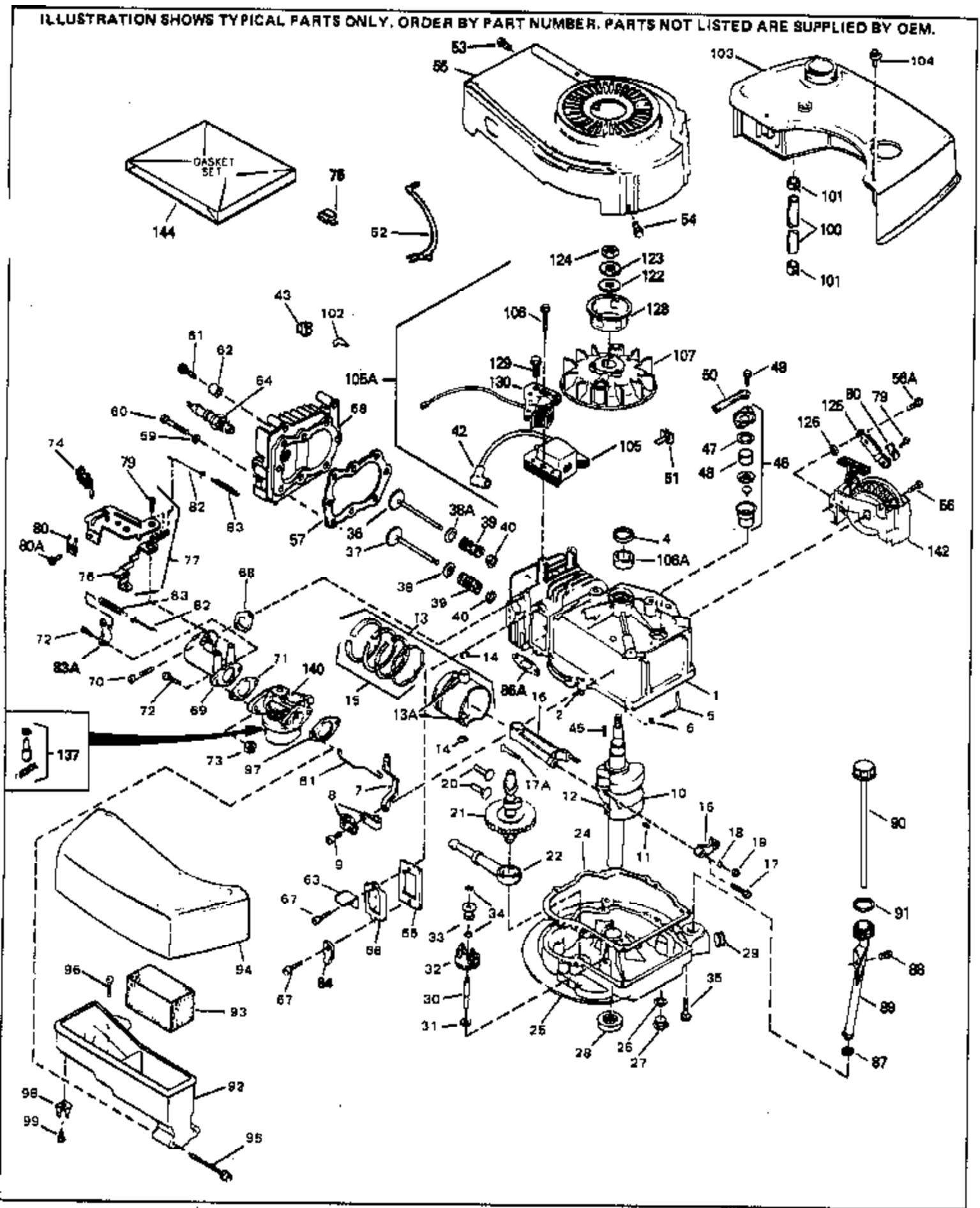


ILLUSTRATION SHOWS TYPICAL PARTS ONLY. ORDER BY PART NUMBER. PARTS NOT LISTED ARE SUPPLIED BY OEM.

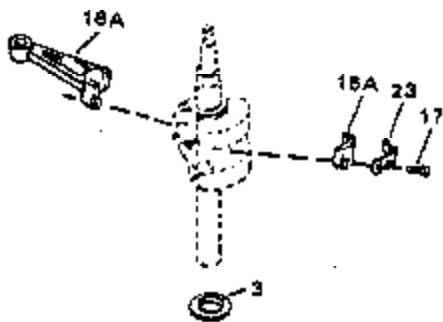
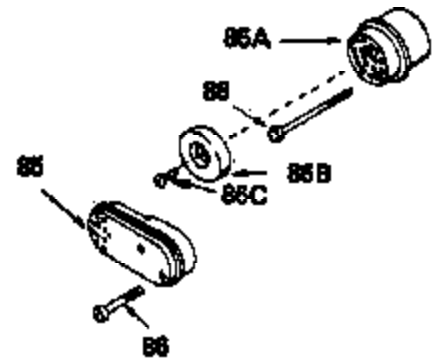
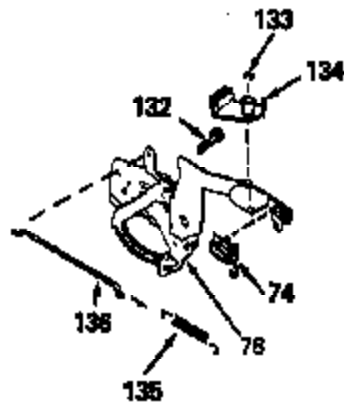
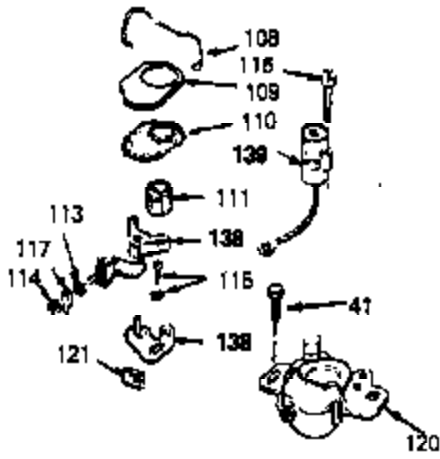
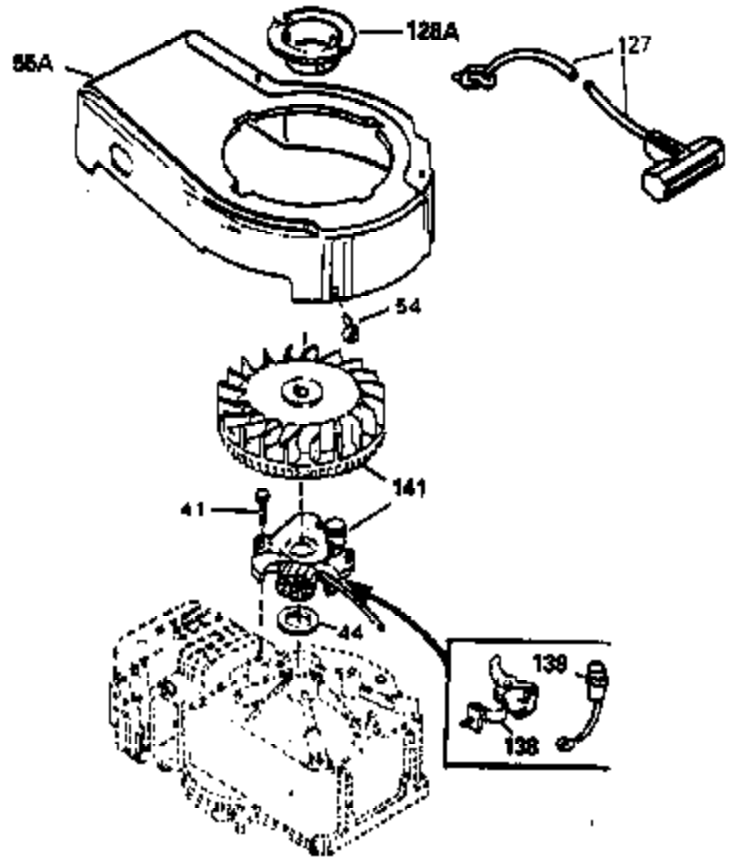
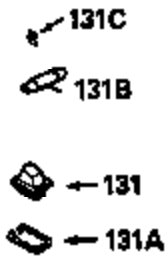


| Ref # | Part Number | Qty | Description |
|-------|-------------|-----|---|
| 1 | 33899A | | Cylinder (Incl. 2, 4 & 56) (2-13/16" Bore) |
| 2 | 26727 | | Pin, Dowel |
| 4 | 32600 | | Seal, Oil |
| 5 | 30589 | | Rod, Governor (Incl. 6) |
| 6 | 28277 | | Washer, Flat |
| 7 | 32651 | | Lever, Governor |
| 8 | 31335 | | Clamp, Governor lever (Clamp is positioned towardspark plug end on 1977-78 and latermodels. It is positioned opposite spark plugend on earlier models.) |
| 9 | 650548 | | Screw, 8-32 x 5/16" |
| 10 | 34579 | | Crankshaft |
| 11 | 29783 | | Pin, Crankshaft (Not used on late pro duction) |
| 12 | 27613 | | Gear, Crankshaft (Not serviceable on late production) |
| 13A | 33562B | | Piston & Pin Ass'y.(Incl.14)(Std.)(2- 13/16") |
| 13A | 33563B | | Piston & Pin Ass'y. (Incl. 14) (.010" OS) |
| 13A | 33564B | | Piston & Pin Ass'y. (Incl. 14) (.020" OS) |
| 13 | 34535 | | Piston, Pin & Ring Set (Std.) (2-13/1 6" Bore) |
| 13 | 34536 | | Piston, Pin & Ring Set (.010" OS) |
| 13 | 34537 | | Piston, Pin & Ring Set (.020" OS) |
| 14 | 20381 | | Ring, Piston pin retaining |
| 15 | 33567 | | Ring Set (Std.) (2-13/16" Bore) |
| 15 | 33568 | | Ring Set (.010" OS) |
| 15 | 33569 | | Ring Set (.020" OS) |
| 17 | 32610A | | Bolt, Connecting rod |
| 20 | 27241 | | Lifter, Valve |
| 21 | 33553 | | Camshaft (MCR) |
| 22 | 29914 | | Pump Assy., Oil |
| 24 | 35261 | | * Gasket, Mounting flange |
| 25 | 34311B | | Flange Ass'y. (Incl. 27, 28, 29 & 30) |
| 26 | 28833 | | * Drain Plug Gasket (Not req. w/plastic plug) |
| 27 | 27244 | | Plug, Oil drain |
| 28 | 27897 | | Seal, Oil |
| 30 | 30574 | | Shaft, Mechanical governor |
| 31 | 30590A | | Washer, Flat |
| 32 | 30591 | | Gear Assy., Governor (Incl. 31) |
| 33 | 30588A | | Spool, Governor |
| 34 | 29193 | | Ring, Retaining |
| 35 | 650488 | | Screw, 1/4-20 x 1-1/4" |
| 36 | 29314B | | Intake Valve (Std.) (Incl. 40) |
| 36 | 29315C | | Intake Valve (1/32" OS) (Incl. 40) |
| 37 | 29313C | | Exhaust Valve (Std.) (Incl. 40) |
| 37 | 29315C | | Exhaust Valve (1/32" OS) (Incl. 40) |
| 38A | 31671 | | Cap, Upper valve spring (Intake) |
| 38 | 31671 | | Cap, Upper valve spring |
| 39 | 31672 | | Spring, Valve (Exhaust) |
| 40 | 31673 | | Cap, Lower valve spring |
| 42 | 610118 | | Cover, Spark plug (Use as required) |
| 45 | 610995 | | Key, Flywheel |
| 46 | 34214A | | Breather Ass'y. (Incl. 47 thru 51) |
| 47 | 33735 | | * Gasket, Breather |
| 48 | 33734 | | Element, Breather |
| 49 | 30200 | | Screw, 10-24 x 9/16" |
| 50 | 33886 | | Tube, Breather |
| 51 | 33887 | | Clip, Breather tube |
| 52 | 34432 | | Ground Wire |
| 53 | 30200 | | Screw, 10-24 x 9/16" |
| 54 | 650561 | | Screw, 1/4-20 x 5/8" |

| Ref # | Part Number | Qty | Description |
|-------|-------------|-----|---|
| 55 | 33891B | | Housing, Blower |
| 56A | 650738 | | Screw, 1/4-20 x 5/8" |
| 56 | 650737 | | Screw, 1/4-20 x 1/2" |
| 57 | 33554 | | * Gasket, Cylinder head |
| 58 | 34342 | | Head, Cylinder |
| 59 | 26073 | | Washer, Flat (Not used on late production) |
| 60 | 6021A | | Screw, 5/16-18 x 1-1/2" |
| 64 | 33636 | | Resistor Spark Plug (RJ-8C) |
| 64 | 34251 | | Resistor Spark Plug (RJ-17LM) |
| 65 | 27234 | | * Gasket, Valve spring cover |
| 66 | 32755 | | Cover, Valve spring box |
| 67 | 650128 | | Screw, 10-24 x 1/2" |
| 68 | 32649 | | * Gasket, Intake pipe |
| 69 | 33004A | | Pipe, Intake (Incl. 68) |
| 70 | 650451 | | Screw, 1/4-20 x 1" |
| 71 | 31688 | | * Gasket, Carburetor |
| 72 | 6201 | | Screw, 1/4-28 x 7/8" |
| 73 | 29752 | | Nut & Lockwasher Assy. |
| 74 | 610973 | | Terminal Assy. (Use as required) |
| 76 | 34310 | | Lever, Control |
| 77 | 33889A | | Control Bracket (Incl. 74, 76 & 79) |
| 79 | 650804 | | Screw, 10-24 x 9/16" |
| 80 | 27793 | | Clip, Conduit |
| 80A | 28942 | | Screw, 10-32 x 3/8" |
| 81 | 34336 | | Link, Throttle |
| 82 | 33151 | | Link, Governor spring |
| 83 | 33890 | | Spring, Governor |
| 84 | 33932 | | Terminal |
| 86A | 30081 | | * Gasket, Muffler |
| 87 | 34265 | | Gasket, Oil fill tube |
| 88 | 650562 | | Screw, 10-32 x 1/2" |
| 89 | 34380 | | Tube, Oil filler |
| 90 | 33894A | | Dipstick, Oil (Incl. 91) |
| 91 | 33590 | | "O" Ring |
| 92 | 33895 | | Body, Air cleaner |
| 93 | 33896 | | Filter, Air cleaner |
| 94 | 33897 | | Cover, Air cleaner |
| 95 | 650762 | | Screw, 10-32 x 1-29/32" |
| 96 | 650784 | | Screw, 10-24 x 11/16" |
| 97 | 33051 | | * Gasket, Air cleaner |
| 100 | 30705 | | Fuel Line (Braided 16") |
| 101 | 26460 | | Clamp, Fuel line |
| 102 | 29443 | | Clip, Fuel line |
| 103 | 33904B | | Fuel Tank (Incl. 101) |
| 104 | 28763 | | Screw, 10-32 x 19/32" |
| 105 | 34431 | | Lamination & Coil Assy. (This coil has been superseded to 730207 Solid State Conversion Kit) |
| 105 | 730207 | | Magneto-to-Solid State Conversion Kit (Includes solid state module, Solid State Flywheel Key, and instructions) (Use as required on external ignition engines only) |
| 106 | 650814 | | Screw, 10-24 x 1" |
| 107 | 611046A | | Flywheel |
| 123 | 650815 | | Washer, Belleville |
| 124 | 650816 | | Nut, Flywheel |
| 125 | 34099 | | Bracket |
| 126 | 27070 | | Lockwasher |
| 137 | 631021 | | Inlet Needle, Seat & Clip Assy. |

| Ref # | Part Number | Qty | Description |
|-------|-------------|-----|--|
| 140 | 632050 | | Carburetor (Incl. 71, 72, 95 & 137) (Refer to Division 5, Section A, page A2-10 for breakdown) |
| 142 | 590519 | | Side Mount Rewind Starter (Refer to Division 5, Section C, page 27 for breakdown) |
| 144 | 33906A | | * Gasket Set (Incl. items marked *) |

ILLUSTRATION SHOWS TYPICAL PARTS ONLY. ORDER BY PART NUMBER. PARTS NOT LISTED ARE SUPPLIED BY OEM.



| Ref # | Part Number | Qty | Description |
|-------|-------------|-----|---|
| | 3 32323 | | Washer, Thrust |
| 16A | 32875 | | Rod Assy., Connecting (Incl. 17) |
| 17 | 32610A | | Bolt, Connecting rod |
| 23 | 32609 | | Plate, Lock (Used on early production with No. 32610 connecting rod bolt. Donot use with No. 32610A locking type bolt.) |
| 41 | 650489 | | Screw, 1/4-20 x 5/8" |
| 44 | 33876 | | Gasket, Stator |
| 54 | 650561 | | Screw, 1/4-20 x 5/8" |
| 74 | 610973 | | Terminal Assy. (Use as required) |
| 108 | 30551 | | Spring, Breaker box cover |
| 109 | 610947 | | Cover, Dust |
| 110 | 610955 | | Gasket, Stator cover |
| 111 | 30992 | | Cam, Breaker |
| 113 | 610385 | | Washer |
| 114 | 610408 | | Nut |
| 115 | 29181 | | Breaker Fastening Screw & Washer |
| 116 | 610593 | | Screw, Condenser fastening |
| 117 | 33356 | | Terminal, Ground |
| 120 | 611006 | | Stator (Incl.108, 113 thru 117, 121,1 38,139) |
| 121 | 30549 | | Felt, Cam wiper |
| 128A | 33914 | | Cup (Early production only, not w/650 791) |
| 138 | 30547A | | Contact Assy., Breaker |
| 139 | 30548B | | Condenser |
| 143 | | | Electric Starter Kit (Supplied by OEM) |