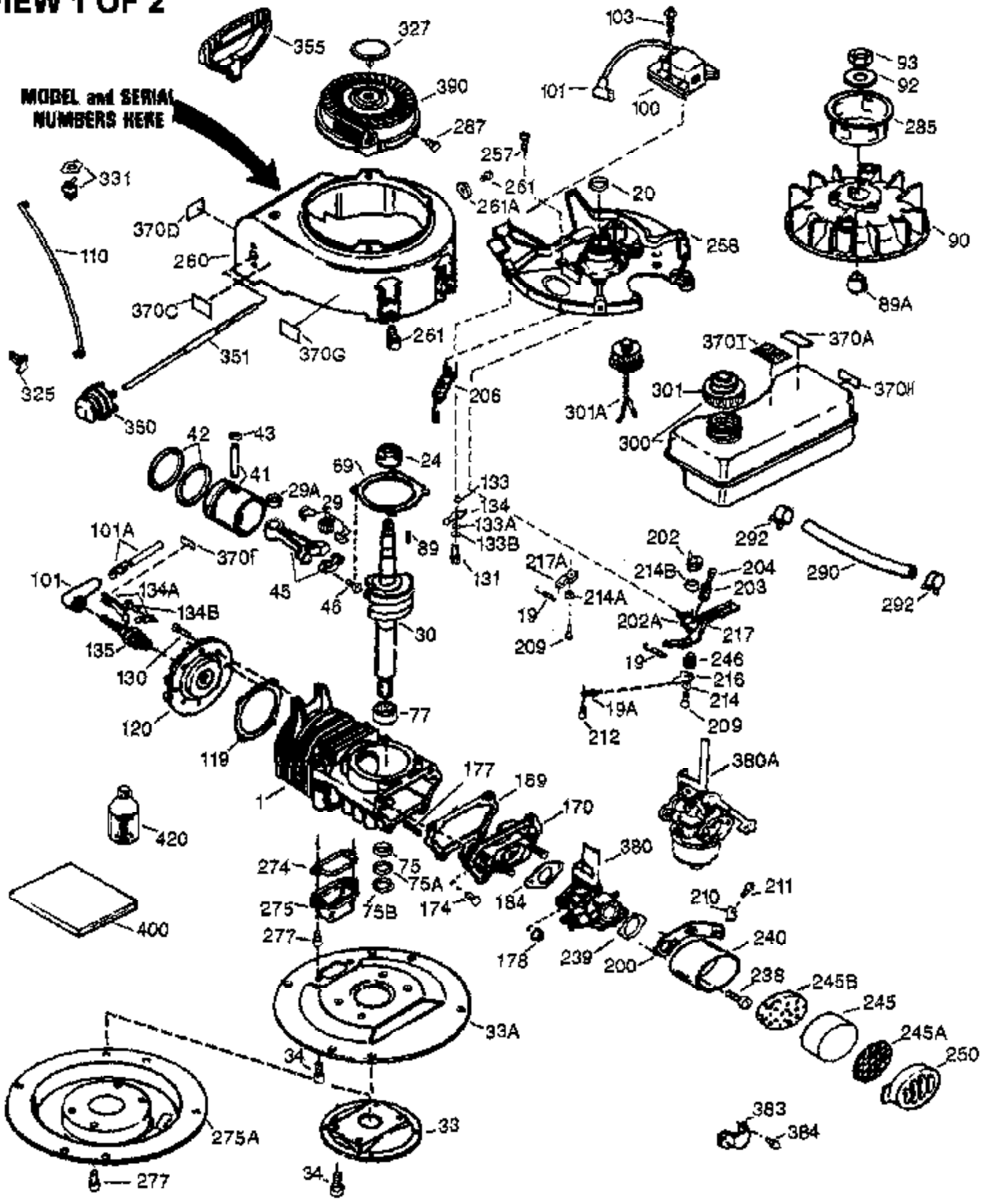


ILLUSTRATION SHOWS TYPICAL PARTS ONLY. ORDER BY PART NUMBER. PARTS NOT LISTED ARE SUPPLIED BY OEM.

VIEW 1 OF 2

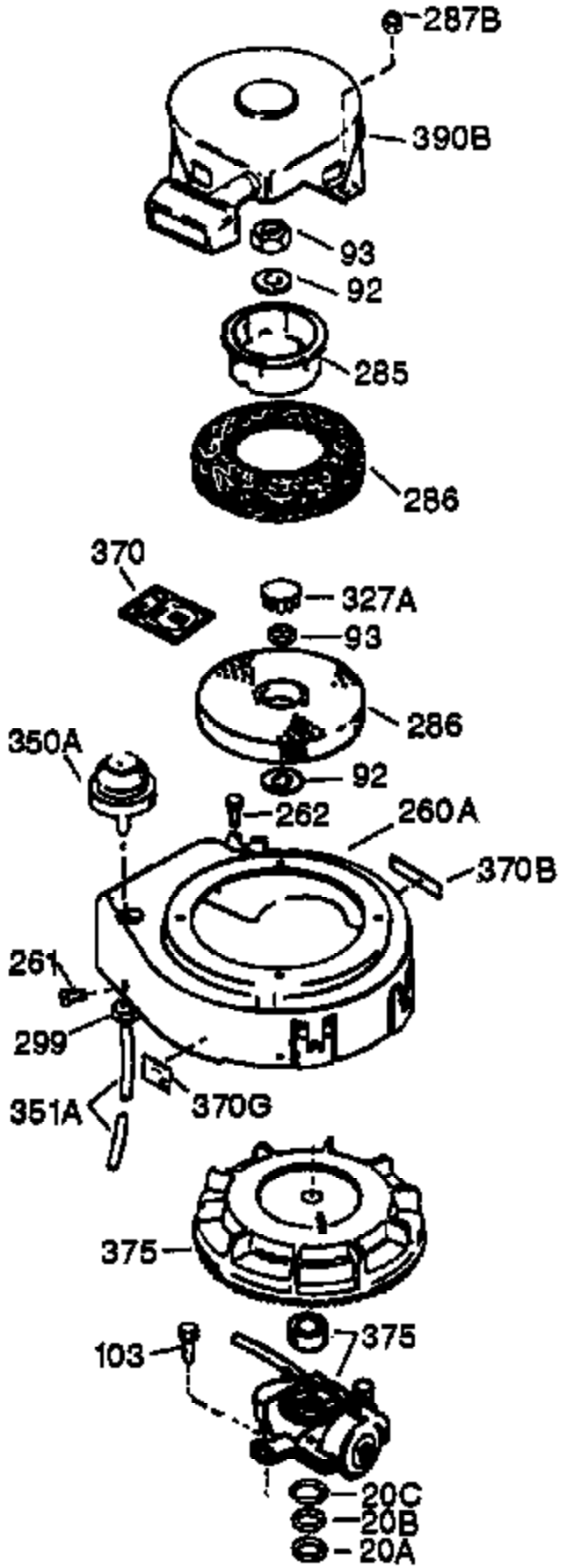
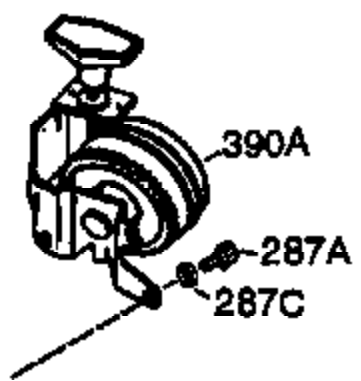
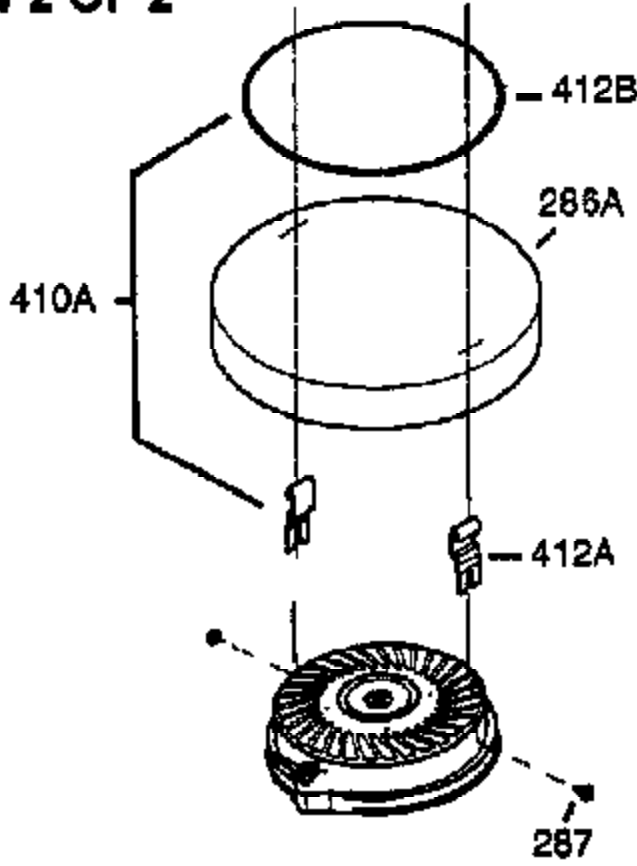
MODEL and SERIAL
NUMBERS HERE



Ref #	Part Number	Qty	Description
	1 0	1	Cylinder (Order S/B if replacement is needed)
	19 570479	1	Extension Spring
	20 510319	1	Oil Seal
	24 530110	1	Ball Bearing
	29A 530104A	1	Cartridge Bearing
	29 530150	1	Needle Bearing & Liner Set (37 Needle s)
	30 290645	1	Crankshaft
	41 310283A	1	Piston & Pin Ass'y.
	42 310289	2	Ring Set
	43 310167	2	Piston Pin Retaining Ring
	45 310235B	1	Connecting Rod Ass'y. (Incl. 29, 29A & 46)
	69 510292A	1	* Cylinder Cover Gasket
	75 30256	1	Oil Seal
	77 530143A	1	Cartridge Bearing
	89A 611032	1	Adapter Sleeve
	90 611112	1	Flywheel
	92 650815	1	Belleville Washer
	93 650390	1	Flywheel Nut
	100 34443B	1	Solid State Ignition
	101 610118	1	Spark Plug Cover
	103 651007	2	Screw, Torx T-15, 10-24 x 15/16"
	110 611174	1	Ground Wire
	119 510274A	1	* Cylinder Head Gasket
	120 250240B	1	Cylinder Head
	130 650477	6	Screw, Torx T-30, 1/4-20 x 3/4"
	135 33636	1	Resistor Spark Plug (RJ17LM)
	169 510323A	1	* Cover Plate Gasket
	174 650579	4	Screw, Torx T-25, 10-24 x 1/2"
	178 29752	2	Nut & Lock Washer, 1/4-28
	184 510110A	1	* Carburetor Gasket
	202 570416	1	Spring
	203 31342	1	Compression Spring
	204 650549	1	Screw, 5-40 x 7/16"
	206 610973	1	Terminal
	209 650544	1	Screw, Torx T-25, 10-24 x 7/8"
	212 650910	1	Screw, 8-32 x 1/4"
	214 650583	1	Washer
	214A 570413	1	Washer
	216 570415	1	R.P.M. Adjusting Lever
	217 570421	1	Control Lever
	238 650431	2	Screw, Torx T-25, 10-32 x 5/8"
	239 510206A	1	Air Cleaner Gasket
	240 450232	1	Air Cleaner Body
	245B 29962	1	Air Cleaner Filter
	245 450215	1	Air Cleaner Filter
	245A 450205	1	Air Cleaner Filter
	246 570412	1	Bushing
	250 450216	1	Air Cleaner Cover
	257 650911	4	Screw, Torx T-30, 1/4-20 x 5/8"
	258 350448	1	Blower Housing Base (Incl. 20)
	260 350453	1	Blower Housing
	261 650958	4	Screw, 1/4-20 x 7/16"
	274 510257A	2	* Exhaust Gasket
	285 590551A	1	Starter Cup
	287 650926	4	Screw, 8-32 x 21/64"
	290 29774	1	Fuel Line
	292 26460	2	Fuel Line Clamp
	300 410273	1	Fuel Tank (Incl. 301)

Ref #	Part Number	Qty	Description
301	410238	1	Fuel Cap
350	570682	1	Primer Ass'y.
351	570656	1	Primer Line
370K	36695	1	Starter Decal
370A	36261	1	Lubrication Decal
370C	550208	1	Fuel Mix Decal
370D	36501	1	Primer Decal
380	631301	1	Carburetor (Incl. 184)
390	590732A	1	Rewind Starter (NOTE: This engine could have been built with 590738 starter.)
400	510296C	1	* Gasket Set (Incl. items marked PK in notes)
420	730227A	1	2-Cycle Oil (8 oz.)

VIEW 2 OF 2



Ref #	Part Number	Qty	Description
92	650815	1	Belleville Washer
93	650390	1	Flywheel Nut
103	651007	2	Screw, Torx T-15, 10-24 x 15/16"
261	650958	4	Screw, 1/4-20 x 7/16"
285	590551A	1	Starter Cup
287	650926	4	Screw, 8-32 x 21/64"
370	35344	1	Instruction Decal
370B	550206	1	Warning Decal
370K	36695	1	Starter Decal