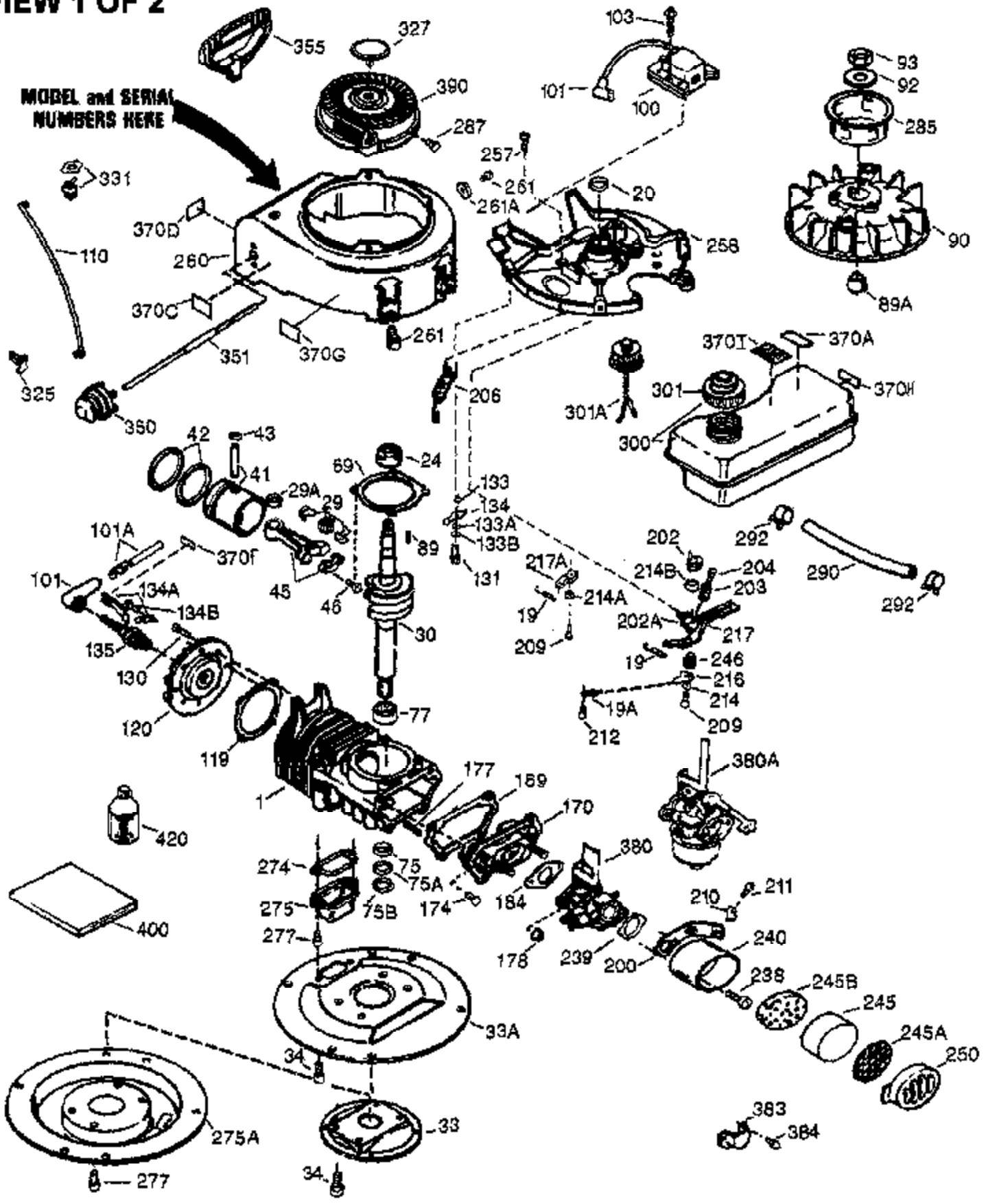


ILLUSTRATION SHOWS TYPICAL PARTS ONLY. ORDER BY PART NUMBER. PARTS NOT LISTED ARE SUPPLIED BY OEM.

VIEW 1 OF 2

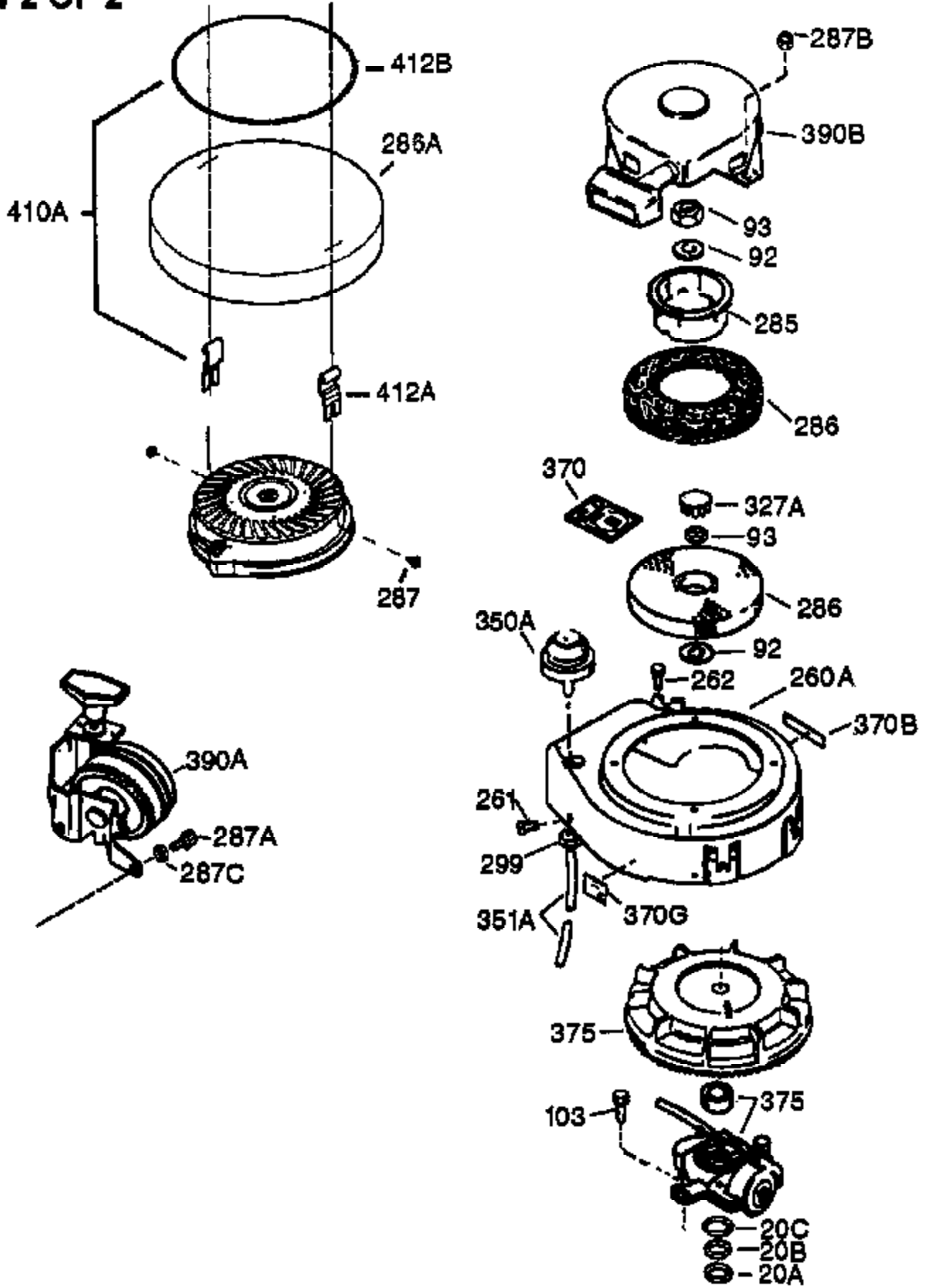
MODEL and SERIAL
NUMBERS HERE



Ref #	Part Number	Qty	Description
	1 0	1	Cylinder (Order S/B if replacement is needed)
	19 490286	1	Extension Spring
	20 510319	1	Oil Seal
	24 530110	1	Ball Bearing
	29A 530104A	1	Cartridge Bearing
	29 530150	1	Needle Bearing & Liner Set (37 Needle s)
	30 290634	1	Crankshaft
	33 330171A	1	Adapter Plate
	34 650797	4	Screw, 5/16-18 x 1/2"
	41 310283A	1	Piston & Pin Assembly
	42 310289	2	Ring Set
	43 310167	2	Piston Pin Retaining Ring
	45 310235B	1	Connecting Rod Ass'y (Incl. 29, 29A & 46)
	46 650633	2	Connecting Rod Bolt
	69 510292A	1	* Cylinder Cover Gasket
	75 28427	1	Oil Seal
	77 530143A	1	Cartridge Bearing
	89A 611032	1	Adapter Sleeve
	90 611112	1	Flywheel
	92 650815	1	Belleville Washer
	93 650390	1	Flywheel Nut
	100 34443B	1	Solid State Ignition
	101 610118	1	Spark Plug Cover
	103 651007	2	Screw, Torx T-15, 10-24 x 15/16"
	110 611135	1	Ground Wire
	119 510274A	1	* Cylinder Head Gasket
	120 250240B	1	Cylinder Head
	130 650477	6	Screw, Torx T-30, 1/4-20 x 3/4"
	135 33636	1	Resistor Spark Plug (RJ17LM)
	169 510323A	1	* Cover Plate Gasket
	170 470153B	1	Reed & Cover Plate (Incl. 178)
	174 650579	4	Screw, Torx T-25, 10-24 x 1/2"
	178 29752	2	Nut & Lock Washer, 1/4-28
	184 510110A	1	* Carburetor Gasket
	202 570637	1	Spring
	203 31342	1	Compression Spring
	204 650549	1	Screw, 5-40 x 7/16"
	209 650544	1	Screw, Torx T-25, 10-24 x 7/8"
	214A 570422	1	Washer
	214 650583	1	Washer
	216 570415	1	R.P.M. Adjusting Lever
	217 570691A	1	Control Lever
	239 35815	1	Air Cleaner Gasket
	246 570412	1	Bushing
	257 650911	4	Screw, Torx T-30, 1/4-20 x 5/8"
	258 350448	1	Blower Housing Base (Incl. 20)
	260 350449	1	Blower Housing
	261 650958	3	Screw, 1/4-20 x 7/16"
	274 510257A	1	* Exhaust Gasket
	275 390276A	1	Muffler
	277 650958	2	Screw, Torx T-30, 1/4-20 x 3/8"
	285 590551A	1	Starter Cup
	287 650926	4	Screw, 8-32 x 21/64"
	290 29774	1	Fuel Line
	292 26460	2	Fuel Line Clamp
	300 410273	1	Fuel Tank
	301 410285	1	Fuel Cap
	331 610650B	1	Toggle Switch

Ref #	Part Number	Qty	Description
350	570682	1	Primer Assembly
351	570656	1	Primer Line
370I	550206	1	Warning Decal
370K	36695	1	Starter Decal
370M	550208	1	Fuel Mix Decal
370C	36501	1	Primer Decal
370A	36261	1	Lubrication Decal
370G	550205A	1	Instruction Decal
380	640290	1	Carburetor (Incl. 184)
383	570434	1	Spit Cup
384	650229	2	Screw, Torx T-25, 10-32 x 3/8"
390	590732	1	Rewind Starter (NOTE: This engine could have been built with 590738 starter. Refer to the design of the rope pulley strength ribs for part identification. Individual starter parts do not interchange. Refer to service bulletin 116.)
400	510296C	1	* Gasket Set (Incl. items marked PK in notes)
420	730227A	1	2-Cycle Oil (8 oz.)

VIEW 2 OF 2



Ref #	Part Number	Qty	Description
92	650815	1	Belleville Washer
93	650390	1	Flywheel Nut
103	651007	2	Screw, Torx T-15, 10-24 x 15/16"
261	650958	3	Screw, 1/4-20 x 7/16"
285	590551A	1	Starter Cup
287	650926	4	Screw, 8-32 x 21/64"
370M	550208	1	Fuel Mix Decal
370G	550205A	1	Instruction Decal
370K	36695	1	Starter Decal