

ILLUSTRATION SHOWS TYPICAL PARTS ONLY. ORDER BY PART NUMBER. PARTS NOT LISTED ARE SUPPLIED BY OEM.

VIEW 1 OF 2



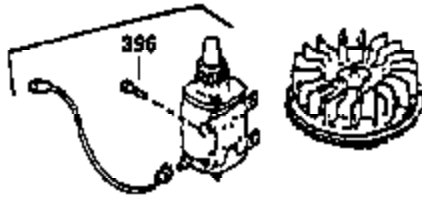
Ref #	Part Number	Qty	Description
	1 34913A	1	Cylinder (Incl. 2 & 20)
	2 27652	2	Dowel Pin
	14 28277	1	Washer
	15 30669	1	Governor Rod (Incl. 14)
	16 31357	1	Governor Lever
	17 31335	1	Governor Lever Clamp
	18 650548	1	Screw, 8-32 x 5/16"
	19 31361	1	Extension Spring
	20 32630	1	Oil Seal
	25 29536	1	Blower Housing Baffle
	26 650561	2	Screw, 1/4-20 x 5/8"
	30 35209	1	Crankshaft
	40 34531	1	Piston, Pin & Ring Set (Std.)
	40 34532	1	Piston, Pin & Ring Set (.010" OS)
	40 34533	1	Piston, Pin & Ring Set (.020" OS)
	41 33312B	1	Piston & Pin Ass'y. (Std.) (Incl. 43)
	41 33313B	1	Piston & Pin Ass'y. (.010" OS) (Incl. 43)
	41 33314B	1	Piston & Pin Ass'y. (.020" OS) (Incl. 43)
	42 34854	1	Ring Set (Std.)
	42 34855	1	Ring Set (.010" OS)
	42 34856	1	Ring Set (.020" OS)
	43 27888	2	Piston Pin Retaining Ring
	45 31380C	1	Connecting Rod Ass'y. (Incl. 46)
	46 650662C	2	Connecting Rod Bolt
	48 34034	2	Valve Lifter
	50 33157	1	Camshaft (MCR)
	52 31356	1	Oil Pump Ass'y.
	60 30622A	1	Blower Housing Extension
	64 30063	1	Screw, Torx T-30, 1/4-20 x 1/2"
	65 650128	1	Screw, 10-24 x 1/2"
	69 30684	1	* Mounting Flange Gasket
	70 31471D	1	Mounting Flange (Incl. 72,72A,75,80 & 81)
	72A 28582	1	Oil Drain Plug
	72 27642	1	Oil Drain Plug
	75 27897	1	Oil Seal
	80 30668	1	Governor Shaft
	81 30590A	2	Washer
	82 30591	1	Governor Gear Ass'y. (Incl. 81)
	83 30588A	1	Governor Spool
	84 29193	2	Retaining Ring
	86 650488	7	Screw, 1/4-20 x 1-1/4"
	88 31707A	1	Spacer (Incl. 81)
	89 32589	1	Flywheel Key
	90 611084	1	Flywheel
	92 650815	1	Belleville Washer
	93 8116	1	Flywheel Nut
	100 34443A	1	Solid State Ignition
	101 610118	1	Spark Plug Cover
	102 650872	2	Solid State Mounting Stud
	103 650814	2	Screw, Torx T-15, 10-24 x 1"
	110 35234	1	Ground Wire
	119 28938C	1	* Cylinder Head Gasket
	120 30938A	1	Cylinder Head
	125 27878A	1	Exhaust Valve (Std.) (Incl. 151)
	125 27880A	1	Exhaust Valve (1/32" OS) (Incl. 151)
	126 32783	1	Intake Valve (Std.) (Incl. 151)
	126 32784	1	Intake Valve (1/32" OS) (Incl. 151)
	127 650691	8	Washer

Ref #	Part Number	Qty	Description
128	650690	8	Belleville Washer
130	650697A	8	Screw, 5/16-18 x 2-1/2"
135	33636	1	Resistor Spark Plug (RJ17LM)
149	27882	2	Valve Spring Cap
150	27881	2	Valve Spring
151	32581	2	Valve Spring Keeper
169	27896A	2	* Valve Cover Gasket
170	28423	1	Breather Body
171	28424	1	Breather Element
172	28425	1	Valve Cover
173	35350	1	Breather Tube
174	650128	2	Screw, 10-24 x 1/2"
178	650517	2	Screw, 1/4-20 x 27/32"
182	650378	2	Screw, Torx T-30, 5/16-18 x 1-1/8"
184	26756	1	* Carburetor To Intake Pipe Gasket
185	32632	1	Intake Pipe
186	32582	1	Governor Link
200	31520A	1	Control Bracket (Incl. 203 & 204)
203	31342	1	Compression Spring
204	650549	1	Screw, 5-40 x 7/16"
207	31823	1	Throttle Link
209	30200	2	Screw, 10-24 x 9/16"
210	27793	1	Conduit Clip
211	28942	1	Screw, 10-32 x 3/8"
224	27915A	1	* Intake Pipe Gasket
238	28820	2	Screw, 10-32 x 1/2"
239	27272A	1	* Air Cleaner Gasket
240	31691	1	Air Cleaner Body
243	650152	2	Screw, 8-32 x 3/8"
245	30727	1	Air Cleaner Filter
250	31715	1	Air Cleaner Cover
260	35892	1	Blower Housing
262	29747B	2	Screw, Torx T-40, 5/16-24 x 21/32"
265	30939A	1	Cylinder Head Cover
274	35865	1	* Exhaust Gasket
275	28269	1	Muffler
276	31588	1	Locking Plate
277	650696	2	Screw, 5/16-18 x 2-3/4"
285	32125	1	Starter Cup
287	650926	4	Screw, 8-32 x 21/64"
290	29774	1	Fuel Line (2.00")
300	32926	1	Fuel Tank (Incl. 301)
301	33032	1	Fuel Cap
307	35499	1	"O" Ring
310	35598	1	Dipstick
325	29443	1	Wire Clip
325A	34246	1	Wire Clip
327	35392	1	Starter Plug
337	33548	1	Fuel Deflector
370	36261	1	Lubrication Decal
370A	550223	1	Logo Decal
380	632267A	1	Carburetor (Incl. 184)
390	590666A	1	Rewind Starter
400	33234B	1	* Gasket Set (Incl. items marked PK i n notes) Incl. part #'s 26756 (1), 27272A (2), 27896A (2), 27913A (1), 27915A (1), 28747 (1), 28833 (1), 28938C (1), 29673 (1), 30684 (1), 31688A (1), 33263 (1), 33629 (1), 34912 (1), 35865 (1)

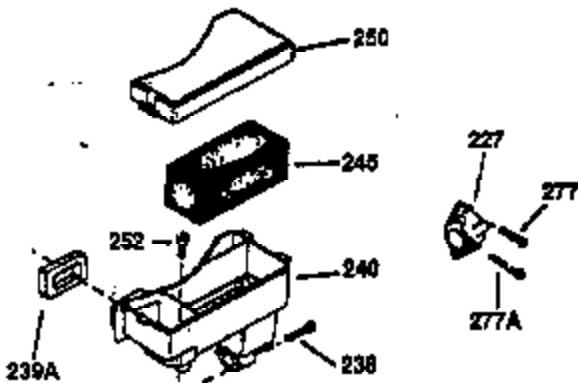
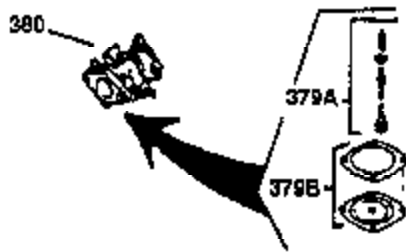
Ref #	Part Number	Qty	Description
420	730225	1	SAE 30 4-Cycle Engine Oil (Quart)
435	33549	1	Hold Down Clamp

ILLUSTRATION SHOWS TYPICAL PARTS ONLY. ORDER BY PART NUMBER. PARTS NOT LISTED ARE SUPPLIED BY OEM.

VIEW 2 OF 2



OPTIONAL 110 - 120 VOLT
 STARTER MOTOR KIT



Ref #	Part Number	Qty	Description
62	650760	1	Screw, 8-32 x 3/8"
63	28545	1	Grommet
64	30063	1	Screw, Torx T-30, 1/4-20 x 1/2"
68	33356	1	Ground Terminal
72A	28582	1	Oil Drain Plug
103	650814	2	Screw, Torx T-15, 10-24 x 1"
238	28820	2	Screw, 10-32 x 1/2"
240	31691	1	Air Cleaner Body
245	30727	1	Air Cleaner Filter
250	31715	1	Air Cleaner Cover
262	29747B	2	Screw, Torx T-40, 5/16-24 x 21/32"
274	35865	1	* Exhaust Gasket
275	28269	1	Muffler
277	650696	2	Screw, 5/16-18 x 2-3/4"
290	29774	1	Fuel Line (2.00")
305	35560	1	Oil Fill Tube
307	35499	1	"O" Ring
370A	550223	1	Logo Decal
380	632267A	1	Carburetor (Incl. 184)