

ILLUSTRATION SHOWS TYPICAL PARTS ONLY. ORDER BY PART NUMBER. PARTS NOT LISTED ARE SUPPLIED BY OEM.

# VIEW 1 OF 2



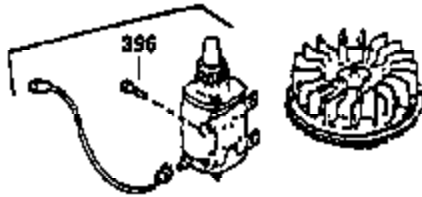
Ref #	Part Number	Qty	Description
	1 34913A	1	Cylinder (Incl. 2 & 20)
	2 27652	1	Dowel Pin
	14 28277	1	Washer
	15 30669	1	Governor Rod (Incl. 14)
	16 31357	1	Governor Lever
	17 31335	1	Governor Lever Clamp
	18 651018	1	Screw, Torx T-15, 8-32 x 19/64"
	19 31361	1	Extension Spring
	20 32630	1	Oil Seal
	25 35256A	1	Blower Housing Baffle
	26 650561	2	Screw, 1/4-20 x 5/8"
	30 35196	1	Crankshaft
	40 34531	1	Piston, Pin & Ring Set (Std.)
	40 34532	1	Piston, Pin & Ring Set (.010" OS)
	40 34533	1	Piston, Pin & Ring Set (.020" OS)
	41 33312B	1	Piston & Pin Ass'y. (Std.) (Incl. 43)
	41 33313B	1	Piston & Pin Ass'y. (.010" OS) (Incl. 43)
	41 33314B	1	Piston & Pin Ass'y. (.020" OS) (Incl. 43)
	42 34854	1	Ring Set (Std.)
	42 34855	1	Ring Set (.010" OS)
	42 34856	1	Ring Set (.020" OS)
	43 27888	2	Piston Pin Retaining Ring
	45 31380C	1	Connecting Rod Ass'y. (Incl. 46)
	46 650662C	2	Connecting Rod Bolt
	48 34034	2	Valve Lifter
	50 33157	1	Camshaft (MCR)
	52 31356	1	Oil Pump Ass'y.
	60 30622A	1	Blower Housing Extension
	65 650128	1	Screw, 10-24 x 1/2"
	66 30063	1	Screw, Torx T-30, 1/4-20 x 1/2"
	69 30684	1	* Mounting Flange Gasket
	70 31471D	1	Mounting Flange (Incl. 72,75,80 & 81)
	72A 28582	1	Oil Drain Plug
	72 27642	1	Oil Drain Plug
	75 27897	1	Oil Seal
	80 30668	1	Governor Shaft
	81 30590A	2	Washer
	82 30591	1	Governor Gear Ass'y. (Incl. 81)
	83 30588A	1	Governor Spool
	84 29193	2	Retaining Ring
	86 650488	7	Screw, 1/4-20 x 1-1/4"
	88 31707A	1	Spacer (Incl. 81)
	89 32589	1	Flywheel Key
	90 611087	1	Flywheel
	92 650815	1	Belleville Washer
	93 8116	1	Flywheel Nut
	100 34443B	1	Solid State Ignition
	101 610118	1	Spark Plug Cover
	102 651024	2	Solid State Mounting Stud
	103 651007	2	Screw, Torx T-15, 10-24 x 15/16"
	110 36230	1	Ground Wire
	119 36445	1	* Cylinder Head Gasket
	120 36446	1	Cylinder Head
	125 27878A	1	Exhaust Valve (Std.) (Incl. 151)
	125 27880A	1	Exhaust Valve (1/32" OS) (Incl. 151)
	126 32783	1	Intake Valve (Std.) (Incl. 151)
	126 32784	1	Intake Valve (1/32" OS) (Incl. 151)
	127 650691	8	Washer

Ref #	Part Number	Qty	Description
128	650690	8	Belleville Washer
130	650697A	8	Screw, 5/16-18 x 2-1/2"
135	33636	1	Resistor Spark Plug (RJ17LM)
149	27882	2	Valve Spring Cap
150	27881	2	Valve Spring
151	32581	2	Valve Spring Keeper
169	27896A	2	* Valve Cover Gasket
170	28423	1	Breather Body
171	28424	1	Breather Element
172	28425	1	Valve Cover
173	35350	1	Breather Tube
174	650128	2	Screw, 10-24 x 1/2"
178	650517	2	Screw, 1/4-20 x 27/32"
182	650378	2	Screw, Torx T-30, 5/16-18 x 1-1/8"
184	26756	1	* Carburetor To Intake Pipe Gasket
185	32632	1	Intake Pipe
186	32582	1	Governor Link
200	32181A	1	Control Bracket (Incl.203, 204 & 206)
203	31342	1	Compression Spring
204	650549	1	Screw, 5-40 x 7/16"
206	610973	1	Terminal
207	31823	1	Throttle Link
209	30200	2	Screw, 10-24 x 9/16"
210	27793	1	Conduit Clip
211	28942	1	Screw, 10-32 x 3/8"
224	27915A	1	* Intake Pipe Gasket
238	28820	2	Screw, 10-32 x 1/2"
239	27272A	1	* Air Cleaner Gasket
240	31691	1	Air Cleaner Body
243	650152	2	Screw, 8-32 x 3/8"
245	30727	1	Air Cleaner Filter
250	31715	1	Air Cleaner Cover
260	35909	1	Blower Housing
262	29747B	2	Screw, Torx T-40, 5/16-24 x 21/32"
265	30939A	1	Cylinder Head Cover
274	35865	1	* Exhaust Gasket
275	28269	1	Muffler
276	31588	1	Locking Plate
277	650696	2	Screw, 5/16-18 x 2-3/4"
281	33013	1	Starter Bubble Cover
282	650760	1	Screw, 8-32 x 3/8"
285	35287A	1	Starter Cup
287	650926	4	Screw, 8-32 x 21/64"
290	29774	1	Fuel Line (2.00")
300	32926	1	Fuel Tank (Incl. 301)
301	33032	1	Fuel Cap
307	35499	1	"O" Ring
310	35598	1	Dipstick
324	33177	1	Terminal
325	29443	1	Wire Clip
337	33548	1	Fuel Deflector
370K	36695	1	Starter Plug
370	36261	1	Identification Decal
370A	550223	1	Logo Decal
380	632233	1	Carburetor (Incl. 184)
390	590732A	1	Rewind Starter (Note: This engine could have been built with 590738 starter.)

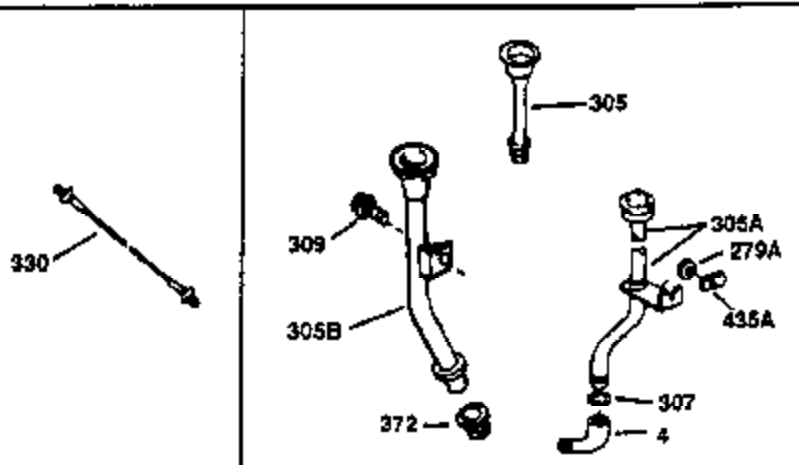
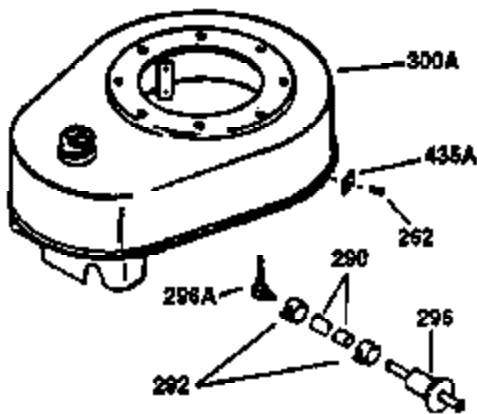
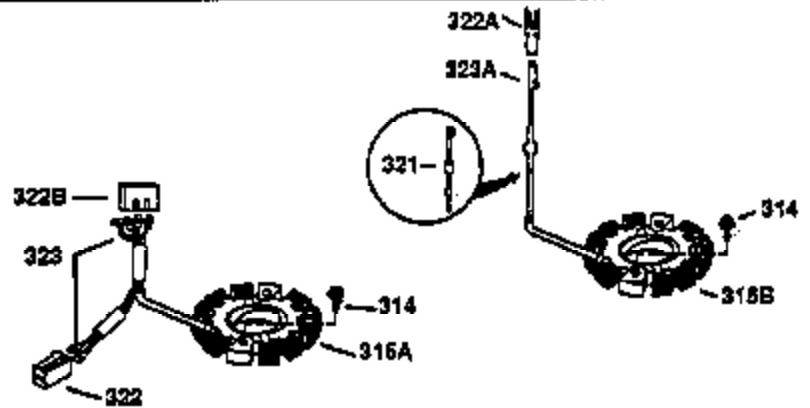
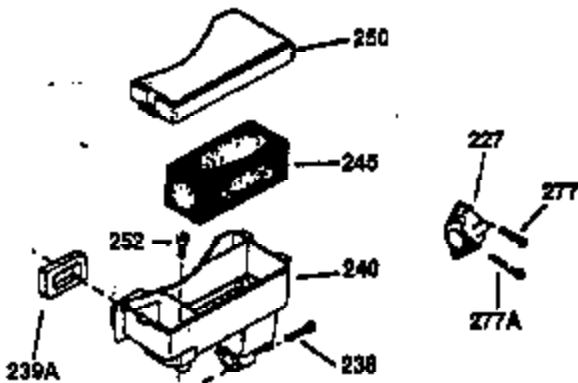
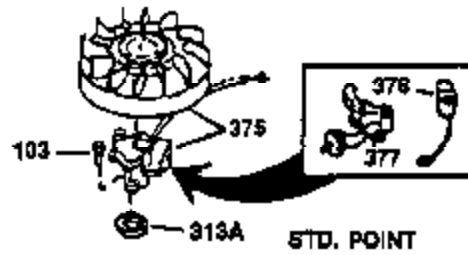
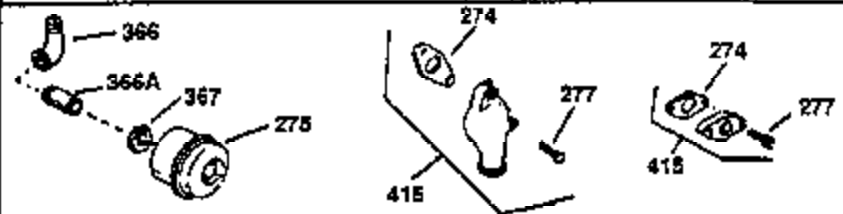
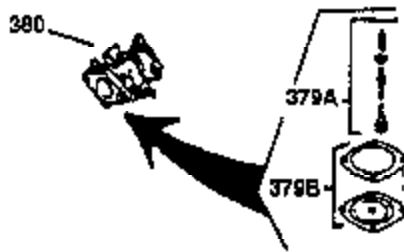
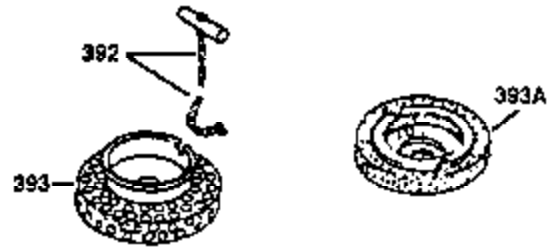
Ref #	Part Number	Qty	Description
400	36447	1	* Gasket Set (Incl. items marked PK i n notes) Incl. part #'s 26756 (1), 27272A (1), 27896A (2), 27915A (1), 29673 (1), 30684 (1), 31688A (1), 33629 (1), 34912 (1), 35865 (1), 36445 (1)
420	730225	1	SAE 30 4-Cycle Engine Oil (Quart)
435	33549	1	Hold Down Clamp

ILLUSTRATION SHOWS TYPICAL PARTS ONLY. ORDER BY PART NUMBER. PARTS NOT LISTED ARE SUPPLIED BY OEM.

**VIEW 2 OF 2**



OPTIONAL 110 - 120 VOLT  
 STARTER MOTOR KIT



Ref #	Part Number	Qty	Description
66	30063	1	Screw, Torx T-30, 1/4-20 x 1/2"
72A	28582	1	Oil Drain Plug
103	651007	2	Screw, Torx T-15, 10-24 x 15/16"
238	28820	2	Screw, 10-32 x 1/2"
240	31691	1	Air Cleaner Body
245	30727	1	Air Cleaner Filter
250	31715	1	Air Cleaner Cover
262	29747B	2	Screw, Torx T-40, 5/16-24 x 21/32"
274	35865	1	* Exhaust Gasket
275	28269	1	Muffler
277	650696	2	Screw, 5/16-18 x 2-3/4"
290	29774	1	Fuel Line (2.00")
305	35560	1	Oil Fill Tube
307	35499	1	"O" Ring
370A	550223	1	Logo Decal
370K	36695	1	Starter Plug
380	632233	1	Carburetor (Incl. 184)