

ILLUSTRATION SHOWS TYPICAL PARTS ONLY. ORDER BY PART NUMBER. PARTS NOT LISTED ARE SUPPLIED BY OEM.



| Ref # | Part Number | Qty | Description                                   |
|-------|-------------|-----|---|
| 1     | 34913A      |     | Cylinder (Incl. 8, 11, 94 & 94A) (2-5/8" )    |
| 2     | 28277       |     | Washer, Flat                                  |
| 3     | 30669       |     | Rod, Governor                                 |
| 4     | 31357       |     | Lever, Governor                               |
| 5     | 31335       |     | Clamp, Governor lever                         |
| 6     | 650548      |     | Screw, 8-32 x 5/16"                           |
| 7     | 31361       |     | Spring, Governor                              |
| 8     | 32630       |     | Seal, Oil                                     |
| 9     | 29536       |     | Baffle, Blower housing (Use as required)      |
| 9     | 35256A      |     | Blo.Hsg.Baffle (W/E.S.knock-out)(As required) |
| 10    | 650561      |     | Screw, 1/4-20 x 5/8"                          |
| 11    | 27652       |     | Pin, Dowel                                    |
| 12    | 34880       |     | Crankshaft (Incl. 13 & 14)                    |
| 13    | 29783       |     | Pin, Crankshaft gear                          |
| 14    | 27884       |     | Gear, Crankshaft                              |
| 15    | 34531       |     | Piston, Pin & Ring Set (2-5/8") (Std. )       |
| 15    | 34532       |     | Piston, Pin & Ring Set (.010" OS)             |
| 15    | 34533       |     | Piston, Pin & Ring Set (.020" OS)             |
| 15A   | 33312B      |     | Piston & Pin Ass'y. (Incl.17)(2-5/8") (Std.)  |
| 15A   | 33313B      |     | Piston & Pin Ass'y. (Incl. 17) (.010" OS)     |
| 15A   | 33314B      |     | Piston & Pin Ass'y. (Incl. 17) (.020" OS)     |
| 16    | 34854       |     | Ring Set (2-5/8") (Std.)                      |
| 16    | 34855       |     | Ring Set (.010" OS)                           |
| 16    | 34856       |     | Ring Set (.020" OS)                           |
| 17    | 27888       |     | Ring, Piston pin retaining                    |
| 18    | 31380C      |     | Rod Assy., Connecting (Incl. 19)              |
| 19    | 650662C     |     | Bolt, Connecting rod (Incl. 2 pieces)         |
| 20    | 34034       |     | Lifter, Valve                                 |
| 21    | 32114       |     | Camshaft (MCR)                                |
| 22    | 30622A      |     | Extension, Blower housing                     |
| 23    | 650128      |     | Screw, 10-24 x 1/2"                           |
| 24    | 30688       |     | Screw, 1/4-20 x 1/2"                          |
| 25    | 31356       |     | Pump Assy., Oil                               |
| 27    | 30684       |     | * Gasket, Cylinder cover                      |
| 28    | 31552C      |     | Flange Ass'y. (Incl. 29,30,31,33,94 & 94A)    |
| 29    | 27642       |     | Plug, Pipe (sq.hd, 1/4-28)                    |
| 30    | 27897       |     | Seal, Oil                                     |
| 31    | 30668       |     | Shaft, Mech. Governor                         |
| 32    | 31707A      |     | Governor Spacer Assy. (Incl. 33)              |
| 33    | 30590A      |     | Washer, Flat (2 required)                     |
| 34    | 30591       |     | Gear Assy., Governor                          |
| 35    | 29193       |     | Ring, Retaining                               |
| 36    | 30588A      |     | Spool, Governor                               |
| 37    | 31355       |     | Screen, Oil filter (Use as required)          |
| 38    | 29117       |     | Screw, 8-32 x 5/16" (Use as required)         |
| 39    | 650488      |     | Screw, 1/4-20 x 1-1/4"                        |
| 40    | 32783       |     | Intake Valve (Std.) (Incl. 44)                |
| 40    | 32784       |     | Intake Valve (1/32" OS) (Incl. 44)            |
| 41    | 27878A      |     | Exhaust Valve (Std.) (Incl. 44)               |
| 41    | 27880A      |     | Exhaust Valve (1/32" OS) (Incl. 44)           |
| 42    | 27882       |     | Cap, Upper valve spring                       |
| 43    | 27881       |     | Spring, Valve                                 |
| 44    | 32581       |     | Cap, Lower valve spring                       |
| 47    | 32589       |     | Key, Flywheel                                 |
| 48    | 650815      |     | Washer, Belleville                            |
| 49    | 8116        |     | Nut, Washer, 1/2-20                           |
| 50    | 28938B      |     | * Gasket, Head                                |
| 51    | 30938A      |     | Head, Cylinder (Incl. 54)                     |

| Ref # | Part Number | Qty | Description                                  |
|-------|-------------|-----|--|
| 52    | 33636       |     | Resistor Spark Plug (RJ-8)                   |
| 52    | 34251       |     | Resistor Spark Plug (RJ-17LM)                |
| 53    | 30939A      |     | Cover Assy., Cylinder head                   |
| 54    | 650694A     |     | Screw, 5/16-18 x 2" (Use as required)        |
| 54    | 650697A     |     | Screw, 5/16-18 x 2-1/2" (Use as required)    |
| 54A   | 26073       |     | Washer, Flat (Use as required)               |
| 54A   | 650690      |     | Washer, Belleville (Use as required)         |
| 54B   | 650691      |     | Washer, Flat (Use as required)               |
| 56    | 27896       |     | * Gasket, Breather cover                     |
| 57    | 28423       |     | Body, Breather                               |
| 58    | 28424       |     | Element, Breather                            |
| 59    | 28425       |     | Cover, Valve spring box                      |
| 60    | 27627       |     | Tube, Breather                               |
| 61    | 650128      |     | Screw, 10-24 x 1/2"                          |
| 62    | 26756       |     | * Gasket, Carburetor                         |
| 63    | 32632       |     | Pipe, Intake                                 |
| 65    | 27272       |     | * Gasket, Air cleaner                        |
| 66    | 31691       |     | Bracket, Air cleaner                         |
| 67    | 28820       |     | Screw, 10-32 x 1/2"                          |
| 68    | 30727       |     | Element, Air cleaner                         |
| 69    | 31715       |     | Body, Air cleaner                            |
| 70    | 650152      |     | Screw, 8-32 x 3/8"                           |
| 71    | 27915       |     | * Gasket, Intake to cylinder                 |
| 72    | 650378      |     | Screw, 5/16-18 x 1-1/8"                      |
| 73    | 31823       |     | Link, Throttle                               |
| 74    | 32582       |     | Link, Governor spring                        |
| 75    | 32264A      |     | Control Assy., Speed (Incl. 76, 77 & 78)     |
| 76    | 31342       |     | Spring, Compression                          |
| 77    | 650549      |     | Screw, 5-40 x 7/16"                          |
| 78    | 610973      |     | Terminal Ass'y. (Use as required)            |
| 79    | 30200       |     | Screw, 10-24 x 9/16"                         |
| 80    | 32629B      |     | Blower Housing (Incl. 121 & 122)(Elec. Str.) |
| 81    | 29747B      |     | Screw, 5/16-24 x 21/32"                      |
| 82    | 27930       |     | * Gasket, Exhaust                            |
| 83    | 28269       |     | Muffler                                      |
| 84    | 31588       |     | Plate, Muffler locking                       |
| 85    | 30196       |     | Screw, 5/16-18 x 3/4" (Use as required)      |
| 85    | 650696      |     | Screw, 5/16-18 x 2-3/4" (Use as required)    |
| 85    | 650697A     |     | Screw, 5/16-18 x 2-1/2" (Use as required)    |
| 86    | 32125       |     | Cup, Starter                                 |
| 87    | 35009       |     | Screen, Starter                              |
| 88    | 29716       |     | Screw, 1/4-28 x 7/16"                        |
| 89    | 32926       |     | Fuel Tank (Incl. 90)                         |
| 90    | 33032       |     | Fuel Cap (Use as required)                   |
| 90    | 34210       |     | Fuel Cap (Use as required)                   |
| 91    | 29774       |     | Fuel Line (8-1/4") (Use as required)         |
| 91    | 30962       |     | Fuel Line (32") (Use as required)            |
| 95    | 34165       |     | Dipstick (Incl. 95A)                         |
| 95A   | 29673       |     | * Gasket, Oil fill                           |
| 96    | 6201        |     | Screw, 1/4-28 x 7/8" (Use as required)       |
| 96    | 650372      |     | Screw, 1/4-20 x 13/16" (Use as required)     |
| 97    | 34235       |     | Ground Wire                                  |
| 98    | 33549       |     | Clamp, Tank hold down                        |
| 99    | 33548       |     | Deflector, Fuel                              |
| 115   | 33323       |     | Screen, Muffler (Use as required)            |
| 123   | 27276       |     | Cover, Spark plug (Use as required)          |
| 123   | 610118      |     | Cover, Spark plug (Use as required)          |
| 127   | 32410       |     | Knob, Speed control                          |

| Ref # | Part Number | Qty | Description  |
|-------|-------------|-----|--|
| 133B  | 730127      |     | A/C Assy. (Incl.65,66,67,68A,69,70,13 4)                                       |
| 157   | 631021      |     | Inlet Needle, Seat & Clip Assy.  |
| 158   | 632233      |     | Carburetor (Incl. 62) (Refer to Division 5, Section A, page 182 for breakdown) |
| 160   | 590420      |     | Rewind Starter (Refer to Division 5, Section C, page 25 for breakdown)         |
| 164   | 33234A      |     | * Gasket Set (Incl. items marked *)  |

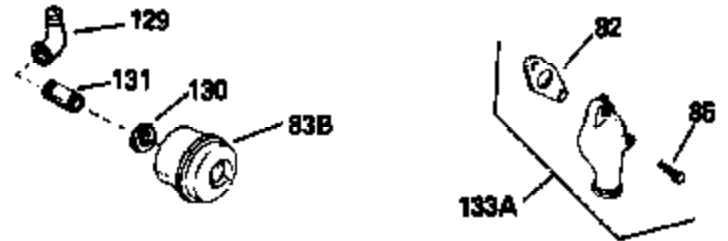
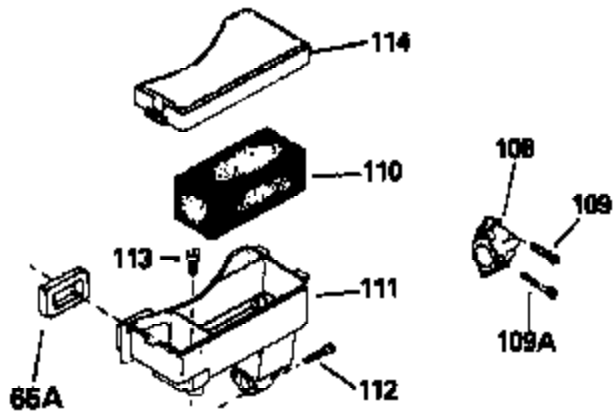
ILLUSTRATION SHOWS TYPICAL PARTS ONLY. ORDER BY PART NUMBER. PARTS NOT LISTED ARE SUPPLIED BY OEM.



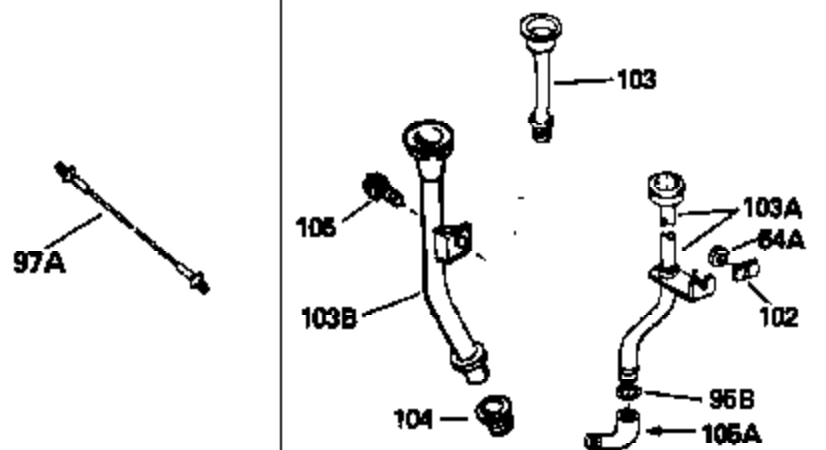
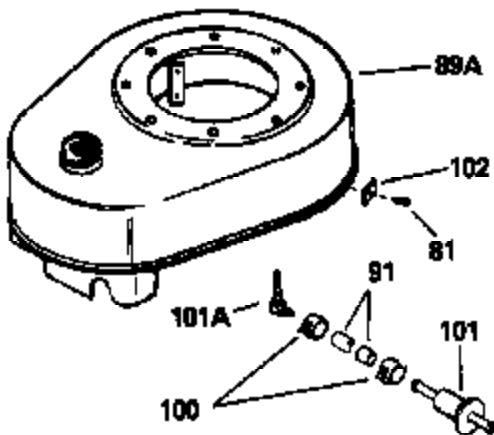
OPTIONAL 110 - 120 VOLT  
 STARTER MOTOR KIT



VIEW 2 of 2



STD. POINT



| Ref # | Part Number | Qty | Description   |
|-------|-------------|-----|---|
| 45    | 33876       |     | Gasket, Stator  |
| 46    | 650489      |     | Screw, 1/4-20 x 5/8"  |
| 54A   | 26073       |     | Washer, Flat (Use as required)  |
| 54A   | 650690      |     | Washer, Belleville (Use as required)  |
| 81    | 29747B      |     | Screw, 5/16-24 x 21/32"   |
| 82    | 27930       |     | * Gasket, Exhaust   |
| 83C   | 391026      |     | Muffler (Incl. 115, 116 & 117) (This spark arrestor muffler can be used on any model)   |
| 85    | 30196       |     | Screw, 5/16-18 x 3/4" (Use as required)   |
| 85    | 650696      |     | Screw, 5/16-18 x 2-3/4" (Use as required)   |
| 85    | 650697A     |     | Screw, 5/16-18 x 2-1/2" (Use as required)   |
| 91    | 29774       |     | Fuel Line (8-1/4") (Use as required)  |
| 91    | 30962       |     | Fuel Line (32") (Use as required)   |
| 100   | 26460       |     | Clamp, Fuel line (Use as required)  |
| 115   | 33323       |     | Screen, Muffler (Use as required)   |
| 116   | 33700       |     | Cover & tube, Muffler (Use as required)   |
| 117   | 650578      |     | Screw, 8-18 x 3/8" (Use as required)  |
| 118   | 28545       |     | Grommet, Plastic  |
| 119   | 650643      |     | Screw, 8-18 x 3/8"  |
| 133A  | 31288       |     | Muffler Adapter Kit (Incl. 82 & 85)(As req.)  |
| 133   | 730130      |     | Muffler Adap. Kit (Incl. 82 & 85)(As req.)  |
| 155   | 30547A      |     | Contact Assy., Breaker  |
| 156   | 30548B      |     | Condenser   |
| 159   | 611043      |     | Magneto (w/ring gear) NOTE: The complete magneto is not available as an assembly. The magneto number is shown for reference purposes only. Order component parts individually as shown in parts list. (Refer to Division 5, Section B, page 39 for breakdown) |
| 162   | 33329D      |     | Starter Motor Kit (110-120 volt) (Refer to service number stamped on end cap of motor, or on decal, for identification. For breakdown see Division 5, Section D, Page 16.)  |
| 163   | 611042      |     | Flywheel (Ring gear flywheel required on engines using 110-120 volt starter motor kits listed above) (Use on Std. point ignitions)  |
| 163   | 611085      |     | Flywheel (Ring gear flywheel required on engines using 110-120 volt starter motor kits listed above) (Use on solid state ignitions)   |