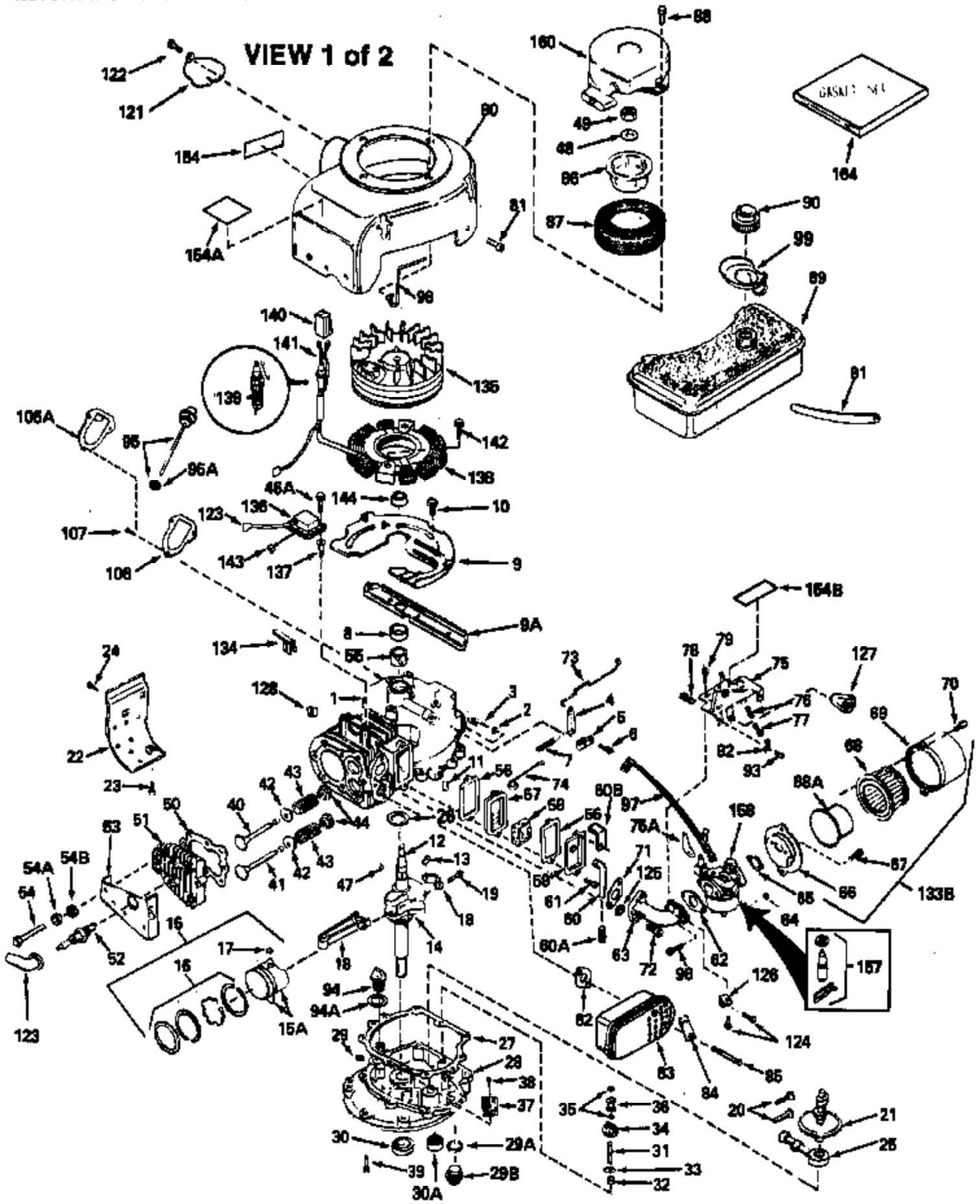


ILLUSTRATION SHOWS TYPICAL PARTS ONLY. ORDER BY PART NUMBER. PARTS NOT LISTED ARE SUPPLIED BY OEM.

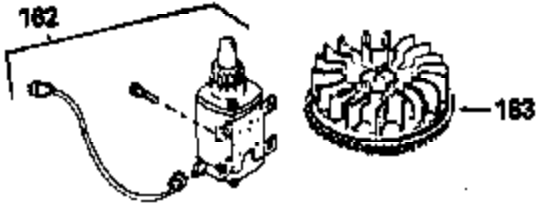


Ref #	Part Number	Qty	Description
	1 34913A		Cylinder (Incl. 8, 11, 94 & 94A) (2-5/8")
	2 28277		Washer, Flat
	3 30669		Rod, Governor
	4 31357		Lever, Governor
	5 31335		Clamp, Governor lever
	6 650548		Screw, 8-32 x 5/16"
	7 34043		Spring, Extension
	8 32630		Seal, Oil
	9 29536		Baffle, Blower housing (Use as required)
	9 35256A		Blo.Hsg.Baffle (W/E.S.knock-out)(As required)
	10 650561		Screw, 1/4-20 x 5/8"
	11 27652		Pin, Dowel
	12 35197		Crankshaft (Incl. 13 & 14)
	13 29783		Pin, Crankshaft gear
	14 27884		Gear, Crankshaft
	15 34531		Piston, Pin & Ring Set (2-5/8") (Std.)
	15 34532		Piston, Pin & Ring Set (.010" OS)
	15 34533		Piston, Pin & Ring Set (.020" OS)
	15A 33312B		Piston & Pin Ass'y. (Incl.17)(2-5/8") (Std.)
	15A 33313B		Piston & Pin Ass'y. (Incl. 17) (.010" OS)
	15A 33314B		Piston & Pin Ass'y. (Incl. 17) (.020" OS)
	16 34854		Ring Set (2-5/8") (Std.)
	16 34855		Ring Set (.010" OS)
	16 34856		Ring Set (.020" OS)
	17 27888		Ring, Piston pin retaining
	18 31380C		Rod Assy., Connecting (Incl. 19)
	19 650662C		Bolt, Connecting rod (Incl. 2 pieces)
	20 34034		Lifter, Valve
	21 32114		Camshaft (MCR)
	22 30622A		Extension, Blower housing
	23 650128		Screw, 10-24 x 1/2"
	24 30688		Screw, 1/4-20 x 1/2"
	25 31356		Pump Assy., Oil
	27 30684		* Gasket, Cylinder cover
	28 35111		Flange Ass'y. (Incl. 29, 30, 31, 33, 37 & 38)
	29B 27244		Plug, Oil drain
	29 27642		Plug, Pipe (sq.hd, 1/4-28)
	29 28483		Plug, Drain, 3/8-18 hex countersunk
	29A 28833		Gasket, Drain
	30 27897		Seal, Oil
	31 30668		Shaft, Mech. Governor
	32 31707A		Governor Spacer Assy. (Incl. 33)
	33 30590A		Washer, Flat (2 required)
	34 30591		Gear Assy., Governor
	35 29193		Ring, Retaining
	36 30588A		Spool, Governor
	37 31355		Screen, Oil filter (Use as required)
	37 33581		Screen, Oil filter
	38 29117		Screw, 8-32 x 5/16" (Use as required)
	39 650833		Screw, 1/4-20 x 1-3/16"
	40 32783		Intake Valve (Std.) (Incl. 44)
	40 32784		Intake Valve (1/32" OS) (Incl. 44)
	41 27878A		Exhaust Valve (Std.) (Incl. 44)
	41 27880A		Exhaust Valve (1/32" OS) (Incl. 44)
	42 27882		Cap, Upper valve spring
	43 27881		Spring, Valve
	44 32581		Cap, Lower valve spring
	46A 650814		Screw, 10-24 x 1"

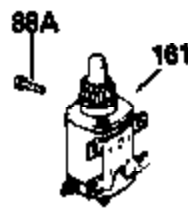
Ref #	Part Number	Qty	Description
47	32589		Key, Flywheel
48	650815		Washer, Belleville
49	8116		Nut, Washer, 1/2-20
50	28938B		* Gasket, Head
51	30938A		Head, Cylinder (Incl. 54)
52	33636		Resistor Spark Plug (RJ-8)
52	34251		Resistor Spark Plug (RJ-17LM)
53	30939A		Cover Assy., Cylinder head
54B	650691		Washer, Flat (Use as required)
54A	26073		Washer, Flat (Use as required)
54A	650690		Washer, Belleville (Use as required)
54	650694A		Screw, 5/16-18 x 2" (Use as required)
54	650697A		Screw, 5/16-18 x 2-1/2" (Use as requi red)
56	27896		* Gasket, Breather cover
57	28423		Body, Breather
58	28424		Element, Breather
59	28425		Cover, Valve spring box
60	27627		Tube, Breather
61	650128		Screw, 10-24 x 1/2"
62	33263		* Gasket, Carburetor
63	34108		Pipe, Intake
65	33629		* Gasket, Air cleaner
71	27915		* Gasket, Intake to cylinder
72	650378		Screw, 5/16-18 x 1-1/8"
73	33860		Link, Throttle
74	32653		Link, Governor spring
75A	33086		Lever, Speed adjusting
75	35126		Control Assy., Speed
78	610973		Terminal Ass'y. (Use as required)
79	30200		Screw, 10-24 x 9/16"
80	34110A		Blower Housing (For electroc starter)
81	29747B		Screw, 5/16-24 x 21/32"
85	30196		Screw, 5/16-18 x 3/4" (Use as require d)
85	650696		Screw, 5/16-18 x 2-3/4" (Use as requi red)
85	650697A		Screw, 5/16-18 x 2-1/2" (Use as requi red)
90	33032		Fuel Cap (Use as required)
90	34210		Fuel Cap (Use as required)
91	30962		Fuel Line (32") (Use as required)
91	29774		Fuel Line (8-1/4") (Use as required)
95	35112		Dipstick, Oil
95A	29673		* Gasket, Oil fill
96	6201		Screw, 1/4-28 x 7/8" (Use as required)
96	650372		Screw, 1/4-20 x 13/16" (Use as requir ed)
97	35183		Wire, Ground
115	33323		Screen, Muffler (Use as required)
123	27276		Cover, Spark plug (Use as required)
123	610118		Cover, Spark plug (Use as required)
124	650738		Screw, 1/4-20 x 5/8
125	34107		Screen, Intake pipe
126	33261		Bracket, Intake pipe
128	34246		Clip, Ground wire
133B	730127		A/C Assy. (Incl.65,66,67,68A,69,70,13 4)
135	611085		Flywheel (w/ring gear)
136	34443A		Solid State Assy.
137	650872		Stud, Solid State mounting
154	34346		Decal, Instruction
157	631021		Inlet Needle, Seat & Clip Assy.

Ref #	Part Number	Qty	Description
158	632352		Carburetor (Incl. 62) (Refer to Division 5, Section A, page 188 for breakdown)
164	33234A		* Gasket Set (Incl. items marked *)

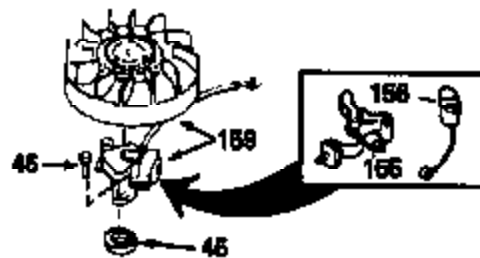
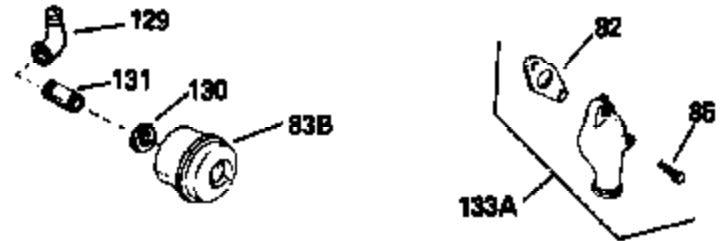
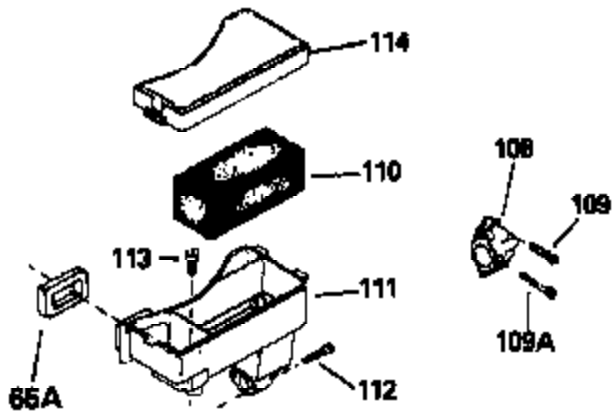
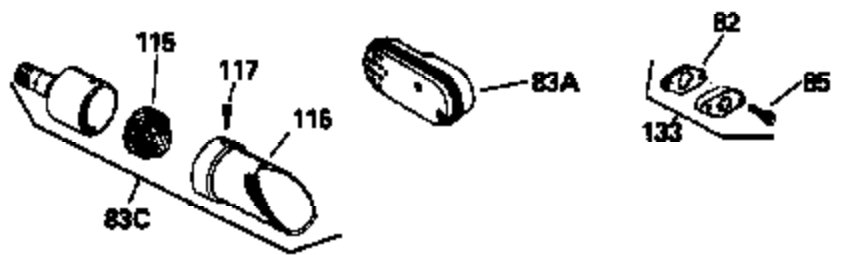
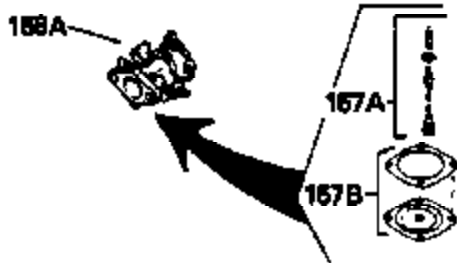
ILLUSTRATION SHOWS TYPICAL PARTS ONLY. ORDER BY PART NUMBER. PARTS NOT LISTED ARE SUPPLIED BY OEM.



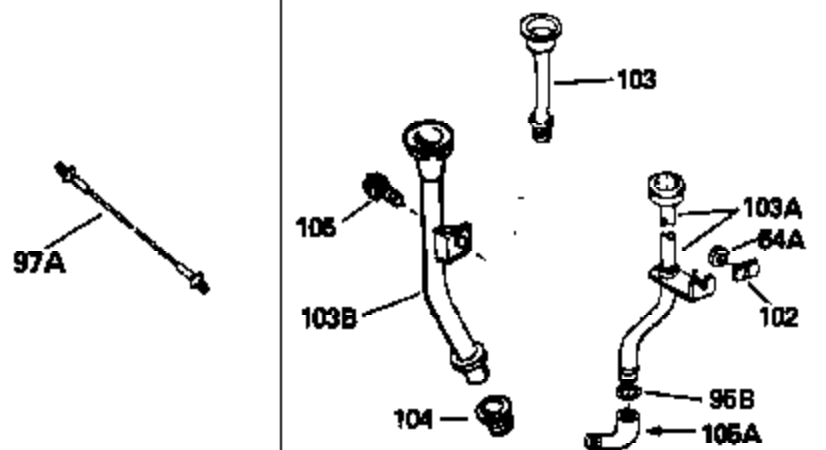
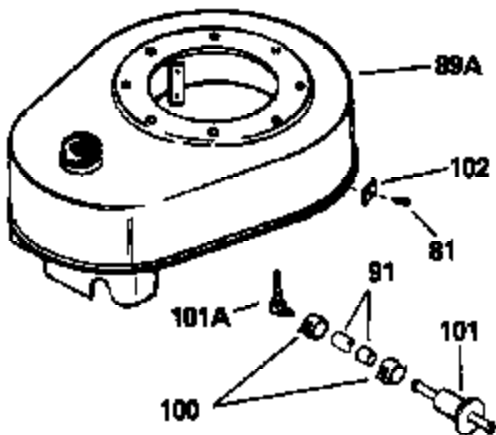
OPTIONAL 110 - 120 VOLT
 STARTER MOTOR KIT



VIEW 2 of 2



STD. POINT



Ref #	Part Number	Qty	Description
54A	26073		Washer, Flat (Use as required)
54A	650690		Washer, Belleville (Use as required)
65A	34912		* Gasket, Blower housing
81	29747B		Screw, 5/16-24 x 21/32"
83C	391026		Muffler (Incl. 115, 116 & 117) (This spark arrestor muffler can be used on any model)
85	30196		Screw, 5/16-18 x 3/4" (Use as required)
85	650696		Screw, 5/16-18 x 2-3/4" (Use as required)
85	650697A		Screw, 5/16-18 x 2-1/2" (Use as required)
86A	33819		Hub & Screen Assy., Starter
88A	30688		Screw, 1/4-20 x 1/2"
91	30962		Fuel Line (32") (Use as required)
91	29774		Fuel Line (8-1/4") (Use as required)
100	26460		Clamp, Fuel line (Use as required)
110	34910		Element, Air cleaner
111	34909		Body, Air cleaner
112	650834		Screw, 10-32 x 1-17/32"
113	650784		Screw, 10-24 x 11/16"
114	34911		Cover, Air cleaner
115	33323		Screen, Muffler (Use as required)
116	33700		Cover & tube, Muffler (Use as required)
117	650578		Screw, 8-18 x 3/8" (Use as required)
118	28545		Grommet, Plastic
119	650643		Screw, 8-18 x 3/8"
120	33356		Terminal, Ground
133A	31288		Muffler Adapter Kit (Incl. 82 & 85)(As req.)
133	730130		Muffler Adap. Kit (Incl. 82 & 85)(As req.)
161	33606		Starter Motor (12 volt) (Refer to Division 5, Section D, page 20 for breakdown)
162	33329D		Starter Motor Kit (110-120 volt) (Refer to service number stamped on end cap of motor, or on decal, for identification. For breakdown see Division 5, Section D, Page 16.)
163	611042		Flywheel (Ring gear flywheel required on engines using 110-120 volt starter motor kits listed above) (Use on Std. point ignitions)
163	611085		Flywheel (Ring gear flywheel required on engines using 110-120 volt starter motor kits listed above) (Use on solid state ignitions)