

ILLUSTRATION SHOWS TYPICAL PARTS ONLY. ORDER BY PART NUMBER. PARTS NOT LISTED ARE SUPPLIED BY OEM.

# VIEW 1 OF 2



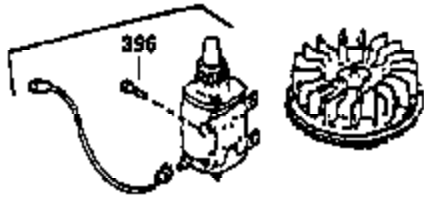
| Ref # | Part Number | Qty | Description                               |
|-------|-------------|-----|---|
| 1     | 35137A      | 1   | Cylinder (Incl. 2 & 20)                   |
| 2     | 27652       | 2   | Dowel Pin                                 |
| 14    | 28277       | 1   | Washer                                    |
| 15    | 30669       | 1   | Governor Rod (Incl. 14)                   |
| 16    | 31357       | 1   | Governor Lever                            |
| 17    | 31335       | 1   | Governor Lever Clamp                      |
| 18    | 650548      | 1   | Screw, 8-32 x 5/16"                       |
| 19    | 31361       | 1   | Extension Spring                          |
| 20    | 32630       | 1   | Oil Seal                                  |
| 26    | 650561      | 2   | Screw, 1/4-20 x 5/8"                      |
| 30    | 35264       | 1   | Crankshaft                                |
| 40    | 34531       | 1   | Piston, Pin & Ring Set (Std.)             |
| 40    | 34532       | 1   | Piston, Pin & Ring Set (.010" OS)         |
| 40    | 34533       | 1   | Piston, Pin & Ring Set (.020" OS)         |
| 41    | 33312B      | 1   | Piston & Pin Ass'y. (Std.) (Incl. 43)     |
| 41    | 33313B      | 1   | Piston & Pin Ass'y. (.010" OS) (Incl. 43) |
| 41    | 33314B      | 1   | Piston & Pin Ass'y. (.020" OS) (Incl. 43) |
| 42    | 34854       | 1   | Ring Set (Std.)                           |
| 42    | 34855       | 1   | Ring Set (.010" OS)                       |
| 42    | 34856       | 1   | Ring Set (.020" OS)                       |
| 43    | 27888       | 2   | Piston Pin Retaining Ring                 |
| 45    | 31380C      | 1   | Connecting Rod Ass'y. (Incl. 46)          |
| 46    | 650662C     | 2   | Connecting Rod Bolt                       |
| 48    | 34034       | 2   | Valve Lifter                              |
| 50    | 32114       | 1   | Camshaft                                  |
| 52    | 31356       | 1   | Oil Pump Ass'y.                           |
| 60    | 30622A      | 1   | Blower Housing Extension                  |
| 64    | 30063       | 1   | Screw, Torx T-30, 1/4-20 x 1/2"           |
| 65    | 650128      | 1   | Screw, 10-24 x 1/2"                       |
| 69    | 30684       | 1   | * Mounting Flange Gasket                  |
| 70    | 31471D      | 1   | Mounting Flange (Incl. 72,75,80 & 81)     |
| 72    | 27642       | 1   | Oil Drain Plug                            |
| 75    | 27897       | 1   | Oil Seal                                  |
| 80    | 30668       | 1   | Governor Shaft                            |
| 81    | 30590A      | 2   | Washer                                    |
| 82    | 30591       | 1   | Governor Gear Ass'y. (Incl. 81)           |
| 83    | 30588A      | 1   | Governor Spool                            |
| 84    | 29193       | 2   | Retaining Ring                            |
| 86    | 650488      | 7   | Screw, 1/4-20 x 1-1/4"                    |
| 88    | 31707A      | 1   | Spacer (Incl. 81)                         |
| 89    | 32589       | 1   | Flywheel Key                              |
| 90    | 611087      | 1   | Flywheel (W/Ring Gear)                    |
| 92    | 650815      | 1   | Belleville Washer                         |
| 93    | 8116        | 1   | Flywheel Nut                              |
| 100   | 34443A      | 1   | Solid State Ignition                      |
| 101   | 610118      | 1   | Spark Plug Cover                          |
| 102   | 650872      | 2   | Solid State Mounting Stud                 |
| 103   | 650814      | 2   | Screw, Torx T-15, 10-24 x 1"              |
| 110   | 36230       | 1   | Ground Wire                               |
| 119   | 28938C      | 1   | * Cylinder Head Gasket                    |
| 120   | 30938A      | 1   | Cylinder Head                             |
| 125   | 27878A      | 1   | Exhaust Valve (Std.) (Incl. 151)          |
| 125   | 27880A      | 1   | Exhaust Valve (1/32" OS) (Incl. 151)      |
| 126   | 32783       | 1   | Intake Valve (Std.) (Incl. 151)           |
| 126   | 32784       | 1   | Intake Valve (1/32" OS) (Incl. 151)       |
| 127   | 650691      | 8   | Washer                                    |
| 128   | 650690      | 8   | Belleville Washer                         |
| 130   | 650697A     | 8   | Screw, 5/16-18 x 2-1/2"                   |

| Ref # | Part Number | Qty | Description                                    |
|-------|-------------|-----|--|
| 135   | 33636       | 1   | Resistor Spark Plug (RJ17LM)                   |
| 149   | 27882       | 2   | Valve Spring Cap                               |
| 150   | 27881       | 2   | Valve Spring                                   |
| 151   | 32581       | 2   | Valve Spring Keeper                            |
| 169   | 27896A      | 2   | * Valve Cover Gasket                           |
| 170   | 28423       | 1   | Breather Body                                  |
| 171   | 28424       | 1   | Breather Element                               |
| 172   | 28425       | 1   | Valve Cover                                    |
| 173   | 35350       | 1   | Breather Tube                                  |
| 174   | 650128      | 2   | Screw, 10-24 x 1/2"                            |
| 178   | 650517      | 2   | Screw, 1/4-20 x 27/32"                         |
| 182   | 650378      | 2   | Screw, Torx T-30, 5/16-18 x 1-1/8"             |
| 184   | 26756       | 1   | * Carburetor To Intake Pipe Gasket             |
| 185   | 32632       | 1   | Intake Pipe                                    |
| 186   | 32582       | 1   | Governor Link                                  |
| 200   | 32264A      | 1   | Control Bracket (Incl.203, 204 & 206)          |
| 203   | 31342       | 1   | Compression Spring                             |
| 204   | 650549      | 1   | Screw, 5-40 x 7/16"                            |
| 206   | 610973      | 1   | Terminal                                       |
| 207   | 31823       | 1   | Throttle Link                                  |
| 209   | 30200       | 2   | Screw, 10-24 x 9/16"                           |
| 215   | 32410       | 1   | Control Knob                                   |
| 224   | 27915A      | 1   | * Intake Pipe Gasket                           |
| 238   | 28820       | 2   | Screw, 10-32 x 1/2"                            |
| 239   | 27272A      | 1   | * Air Cleaner Gasket                           |
| 240   | 31691       | 1   | Air Cleaner Body                               |
| 243   | 650152      | 2   | Screw, 8-32 x 3/8"                             |
| 245B  | 31700       | 1   | Air Cleaner Filter                             |
| 250   | 31715       | 1   | Air Cleaner Cover                              |
| 260   | 35211       | 1   | Blower Housing                                 |
| 261   | 29747B      | 2   | Screw, Torx T-40, 5/16-24 x 21/32"             |
| 265   | 30939A      | 1   | Cylinder Head Cover                            |
| 274   | 35865       | 1   | * Exhaust Gasket                               |
| 275   | 28921       | 1   | Muffler  |
| 276   | 31588       | 1   | Locking Plate                                  |
| 277   | 650696      | 2   | Screw, 5/16-18 x 2-3/4"                        |
| 285   | 29709       | 1   | Hub & Screen                                   |
| 307   | 29673       | 1   | * Oil Fill Plug Gasket                         |
| 310   | 34165       | 1   | Dipstick (Incl. 307)                           |
| 313A  | 35189       | 1   | Spacer   |
| 314   | 650873      | 2   | Screw, 1/4-20 x 3/4"                           |
| 315   | 611113      | 1   | Alternator Coil (3 Amp DC)(Incl. 321, 322,323) |
| 321   | 611161      | 1   | Diode  |
| 322   | 610921      | 1   | Connector Body                                 |
| 323   | 610922      | 1   | Terminal                                       |
| 324   | 33177       | 1   | Terminal                                       |
| 325A  | 27275       | 1   | Wire Clip                                      |
| 325   | 29443       | 1   | Wire Clip                                      |
| 341   | 34105       | 1   | Fuel Tank Bracket                              |
| 361   | 30063       | 4   | Screw, Torx T-30, 1/4-20 x 1/2"                |
| 363   | 34568       | 1   | Spring   |
| 370A  | 34346       | 1   | Lubrication Decal                              |
| 370   | 34686       | 1   | Logo Decal                                     |
| 380   | 632258      | 1   | Carburetor (Incl. 184)                         |
| 395   | 35765A      | 1   | Electric Starter Motor (12 Volt)               |

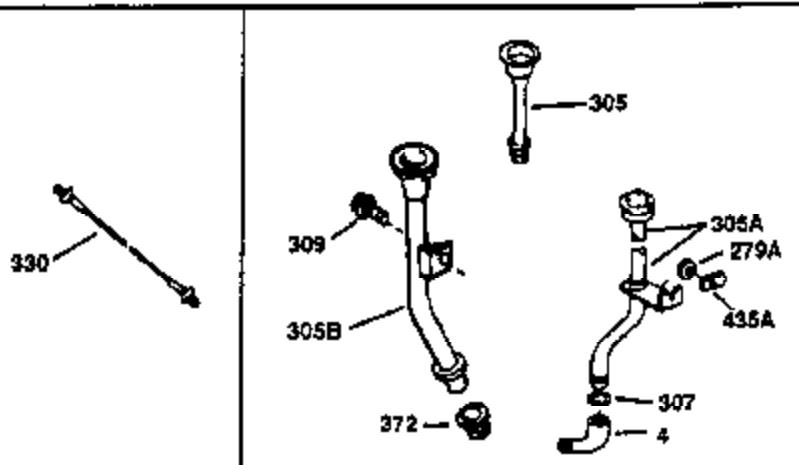
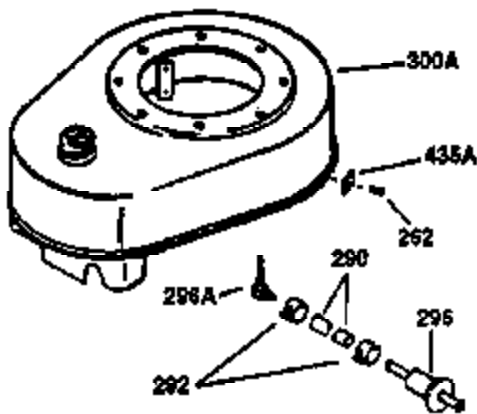
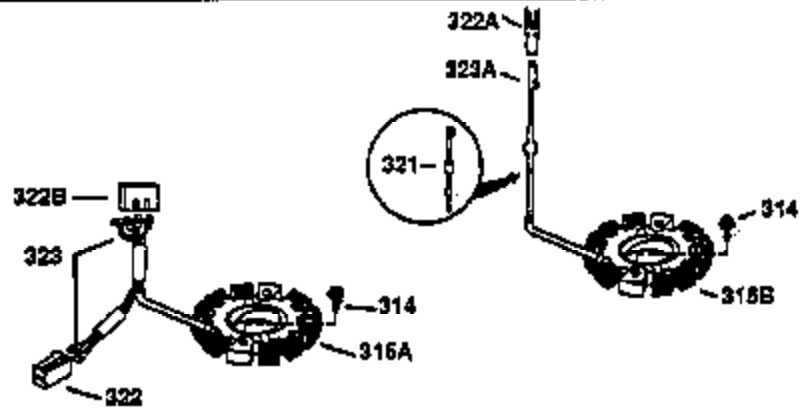
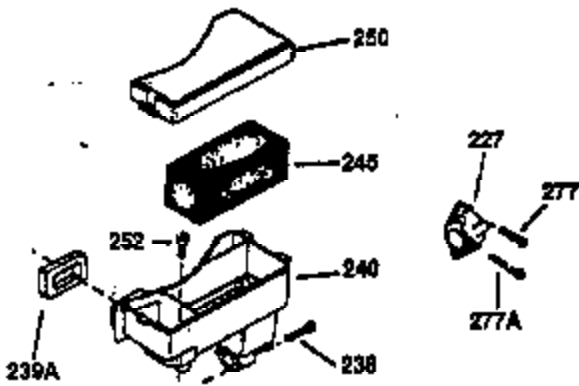
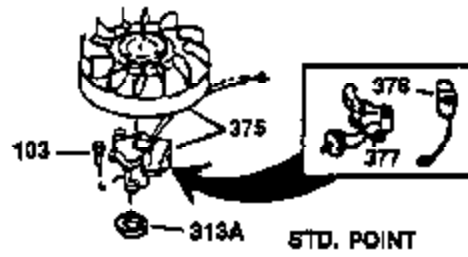
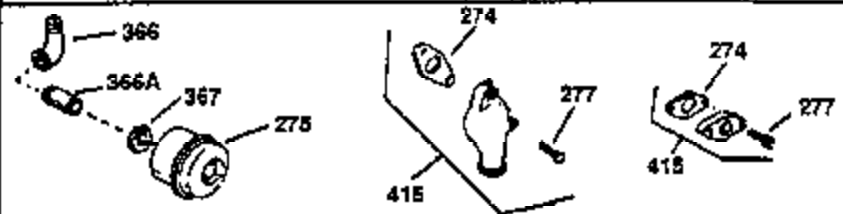
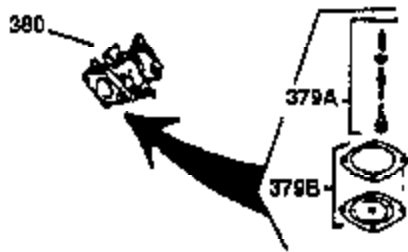
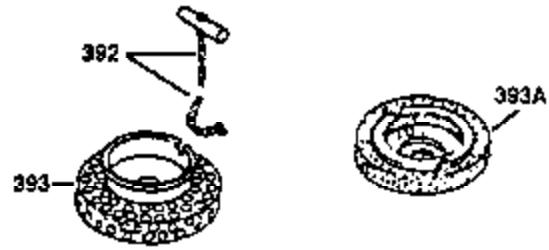
| Ref # | Part Number | Qty | Description  |
|-------|-------------|-----|--|
| 400   | 33234B      | 1   | * Gasket Set (Incl. items marked PK i n notes) Incl. part #'s<br>26756 (1), 27272A (2), 27896A (2), 27913A (1), 27915A (1),<br>28747 (1), 28833 (1), 28938C (1), 29673 (1), 30684 (1),<br>31688A (1), 33263 (1), 33629 (1), 34912 (1), 35865 (1) |
| 420   | 730225      | 1   | SAE 30 4-Cycle Engine Oil (Quart)  |

ILLUSTRATION SHOWS TYPICAL PARTS ONLY. ORDER BY PART NUMBER. PARTS NOT LISTED ARE SUPPLIED BY OEM.

**VIEW 2 OF 2**



OPTIONAL 110 - 120 VOLT  
 STARTER MOTOR KIT



| Ref # | Part Number | Qty | Description                        |
|-------|-------------|-----|------------------------------------|
| 64    | 30063       | 1   | Screw, Torx T-30, 1/4-20 x 1/2"    |
| 103   | 650814      | 2   | Screw, Torx T-15, 10-24 x 1"       |
| 238   | 28820       | 2   | Screw, 10-32 x 1/2"                |
| 240   | 31691       | 1   | Air Cleaner Body                   |
| 250   | 31715       | 1   | Air Cleaner Cover                  |
| 261   | 29747B      | 2   | Screw, Torx T-40, 5/16-24 x 21/32" |
| 274   | 35865       | 1   | * Exhaust Gasket                   |
| 275   | 28921       | 1   | Muffler                            |
| 277   | 650696      | 2   | Screw, 5/16-18 x 2-3/4"            |
| 307   | 29673       | 1   | * Oil Fill Plug Gasket             |
| 313A  | 35189       | 1   | Spacer                             |
| 314   | 650873      | 2   | Screw, 1/4-20 x 3/4"               |
| 321   | 611161      | 1   | Diode                              |
| 322   | 610921      | 1   | Connector Body                     |
| 323   | 610922      | 1   | Terminal                           |
| 341   | 34105       | 1   | Fuel Tank Bracket                  |
| 370A  | 34346       | 1   | Lubrication Decal                  |
| 380   | 632258      | 1   | Carburetor (Incl. 184)             |