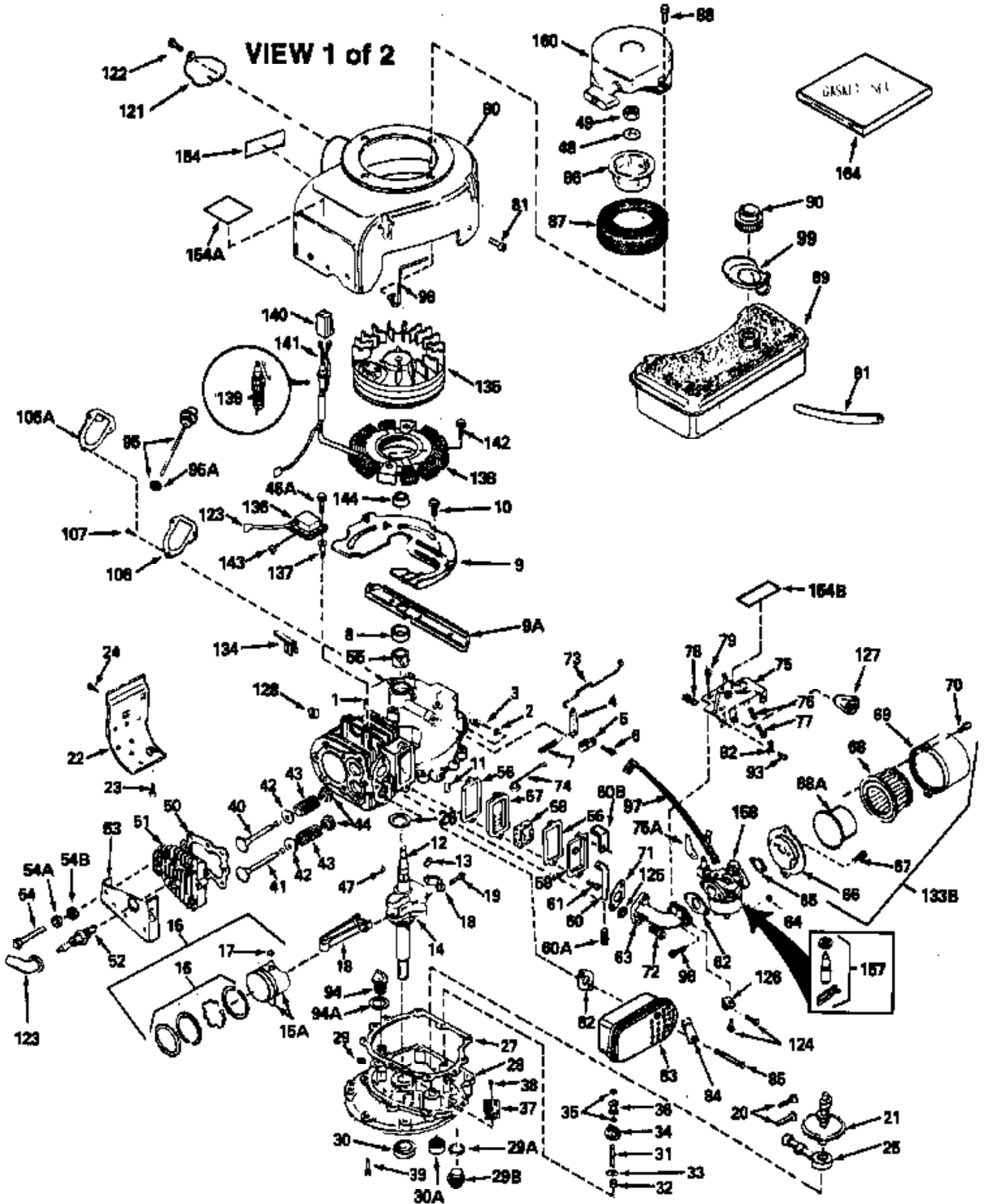


ILLUSTRATION SHOWS TYPICAL PARTS ONLY. ORDER BY PART NUMBER. PARTS NOT LISTED ARE SUPPLIED BY OEM.



| Ref # | Part Number | Qty | Description |
|-------|-------------|-----|---|
| 1 | 34913A | | Cylinder (Incl. 8, 11, 94 & 94A) (2-5/8") |
| 2 | 28277 | | Washer, Flat |
| 3 | 35082 | | Rod, Governor |
| 4 | 32651 | | Lever, Governor |
| 5 | 31335 | | Clamp, Governor lever |
| 6 | 650548 | | Screw, 8-32 x 5/16" |
| 7 | 34043 | | Spring, Extension |
| 8 | 32630 | | Seal, Oil |
| 9 | 29536 | | Baffle, Blower housing (Use as required) |
| 9 | 35256A | | Blo.Hsg.Baffle (W/E.S.knock-out)(As required) |
| 10 | 650561 | | Screw, 1/4-20 x 5/8" |
| 11 | 27652 | | Pin, Dowel |
| 12 | 34880 | | Crankshaft (Incl. 13 & 14) |
| 13 | 29783 | | Pin, Crankshaft gear |
| 14 | 27884 | | Gear, Crankshaft |
| 15 | 34531 | | Piston, Pin & Ring Set (2-5/8") (Std.) |
| 15 | 34532 | | Piston, Pin & Ring Set (.010" OS) |
| 15 | 34533 | | Piston, Pin & Ring Set (.020" OS) |
| 15A | 33312B | | Piston & Pin Ass'y. (Incl.17)(2-5/8") (Std.) |
| 15A | 33313B | | Piston & Pin Ass'y. (Incl. 17) (.010" OS) |
| 15A | 33314B | | Piston & Pin Ass'y. (Incl. 17) (.020" OS) |
| 16 | 34854 | | Ring Set (2-5/8") (Std.) |
| 16 | 34855 | | Ring Set (.010" OS) |
| 16 | 34856 | | Ring Set (.020" OS) |
| 17 | 27888 | | Ring, Piston pin retaining |
| 18 | 31380C | | Rod Assy., Connecting (Incl. 19) |
| 19 | 650662C | | Bolt, Connecting rod (Incl. 2 pieces) |
| 20 | 34034 | | Lifter, Valve |
| 21 | 32114 | | Camshaft (MCR) |
| 22 | 30622A | | Extension, Blower housing |
| 23 | 650128 | | Screw, 10-24 x 1/2" |
| 24 | 30688 | | Screw, 1/4-20 x 1/2" |
| 25 | 31356 | | Pump Assy., Oil |
| 27 | 30684 | | * Gasket, Cylinder cover |
| 28 | 32460 | | Flange Ass'y. (Incl. 29, 30, 31 & 33) |
| 29 | 27642 | | Plug, Pipe (sq.hd, 1/4-28) |
| 30 | 27897 | | Seal, Oil |
| 31 | 30668 | | Shaft, Mech. Governor |
| 32 | 31707A | | Governor Spacer Assy. (Incl. 33) |
| 33 | 30590A | | Washer, Flat (2 required) |
| 34 | 30591 | | Gear Assy., Governor |
| 35 | 29193 | | Ring, Retaining |
| 36 | 30588A | | Spool, Governor |
| 37 | 31355 | | Screen, Oil filter (Use as required) |
| 38 | 29117 | | Screw, 8-32 x 5/16" (Use as required) |
| 39 | 650488 | | Screw, 1/4-20 x 1-1/4" |
| 40 | 32783 | | Intake Valve (Std.) (Incl. 44) |
| 40 | 32784 | | Intake Valve (1/32" OS) (Incl. 44) |
| 41 | 27878A | | Exhaust Valve (Std.) (Incl. 44) |
| 41 | 27880A | | Exhaust Valve (1/32" OS) (Incl. 44) |
| 42 | 27882 | | Cap, Upper valve spring |
| 43 | 27881 | | Spring, Valve |
| 44 | 32581 | | Cap, Lower valve spring |
| 47 | 32589 | | Key, Flywheel |
| 48 | 650815 | | Washer, Belleville |
| 49 | 8116 | | Nut, Washer, 1/2-20 |
| 50 | 28938B | | * Gasket, Head |
| 51 | 30938A | | Head, Cylinder (Incl. 54) |

| Ref # | Part Number | Qty | Description |
|-------|-------------|-----|--|
| 52 | 33636 | | Resistor Spark Plug (RJ-8) |
| 52 | 34251 | | Resistor Spark Plug (RJ-17LM) |
| 53 | 30939A | | Cover Assy., Cylinder head |
| 54 | 650694A | | Screw, 5/16-18 x 2" (Use as required) |
| 54 | 650697A | | Screw, 5/16-18 x 2-1/2" (Use as required) |
| 54A | 26073 | | Washer, Flat (Use as required) |
| 54A | 650690 | | Washer, Belleville (Use as required) |
| 54B | 650691 | | Washer, Flat (Use as required) |
| 56 | 27896 | | * Gasket, Breather cover |
| 57 | 28423 | | Body, Breather |
| 58 | 28424 | | Element, Breather |
| 59 | 28425 | | Cover, Valve spring box |
| 60 | 27627 | | Tube, Breather |
| 61 | 650128 | | Screw, 10-24 x 1/2" |
| 62 | 33263 | | * Gasket, Carburetor |
| 63 | 34108 | | Pipe, Intake |
| 65 | 33629 | | * Gasket, Air cleaner |
| 71 | 27915 | | * Gasket, Intake to cylinder |
| 72 | 650378 | | Screw, 5/16-18 x 1-1/8" |
| 74 | 33151 | | Link, Governor spring |
| 75 | 34109A | | Control Assy., Speed (Incl. 76, 77 & 78) |
| 76 | 31342 | | Spring, Compression |
| 77 | 650549 | | Screw, 5-40 x 7/16" |
| 78 | 610973 | | Terminal Ass'y. (Use as required) |
| 79 | 30200 | | Screw, 10-24 x 9/16" |
| 80 | 34110A | | Blower Housing (For electroc starter) |
| 81 | 29747B | | Screw, 5/16-24 x 21/32" |
| 85 | 30196 | | Screw, 5/16-18 x 3/4" (Use as required) |
| 85 | 650696 | | Screw, 5/16-18 x 2-3/4" (Use as required) |
| 85 | 650697A | | Screw, 5/16-18 x 2-1/2" (Use as required) |
| 86 | 32125 | | Cup, Starter |
| 87 | 35009 | | Screen, Starter |
| 90 | 33032 | | Fuel Cap (Use as required) |
| 90 | 34210 | | Fuel Cap (Use as required) |
| 91 | 29774 | | Fuel Line (8-1/4") (Use as required) |
| 91 | 30962 | | Fuel Line (32") (Use as required) |
| 92 | 27793 | | Clip, Conduit |
| 93 | 28942 | | Screw, 10-32 x 3/8" |
| 95A | 29673 | | * Gasket, Oil fill |
| 96 | 6201 | | Screw, 1/4-28 x 7/8" (Use as required) |
| 96 | 650372 | | Screw, 1/4-20 x 13/16" (Use as required) |
| 97 | 30831 | | Ground Wire |
| 98 | 33549 | | Clamp, Tank hold down |
| 115 | 33323 | | Screen, Muffler (Use as required) |
| 121 | 33013 | | Cover, Starter bubble |
| 122 | 650760 | | Screw, 8-32 x 7/16" |
| 123 | 27276 | | Cover, Spark plug (Use as required) |
| 123 | 610118 | | Cover, Spark plug (Use as required) |
| 124 | 650738 | | Screw, 1/4-20 x 5/8 |
| 125 | 34107 | | Screen, Intake pipe |
| 126 | 33261 | | Bracket, Intake pipe |
| 133B | 730127 | | A/C Assy. (Incl. 65, 66, 67, 68A, 69, 70, 13 4) |
| 154A | 550223 | | Decal, Name |
| 154 | 34346 | | Decal, Instruction |
| 157 | 631021 | | Inlet Needle, Seat & Clip Assy. |
| 158 | 631901A | | Carburetor (Incl. 62) (Refer to Division 5, Section A, page 150 for breakdown) |

| Ref # | Part Number | Qty | Description |
|-------|-------------|-----|-------------------------------------|
| 164 | 33234A | | * Gasket Set (Incl. items marked *) |

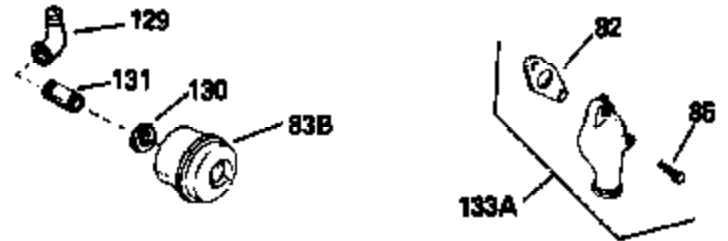
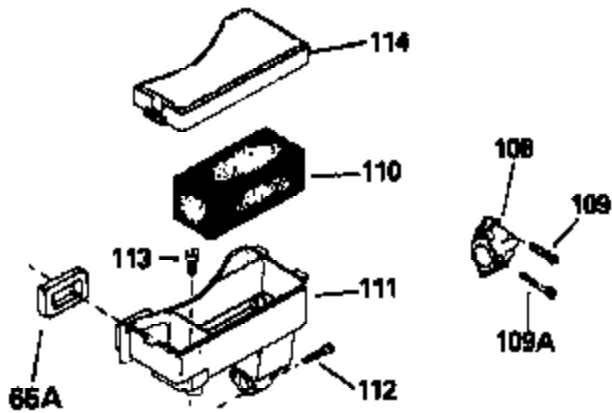
ILLUSTRATION SHOWS TYPICAL PARTS ONLY. ORDER BY PART NUMBER. PARTS NOT LISTED ARE SUPPLIED BY OEM.



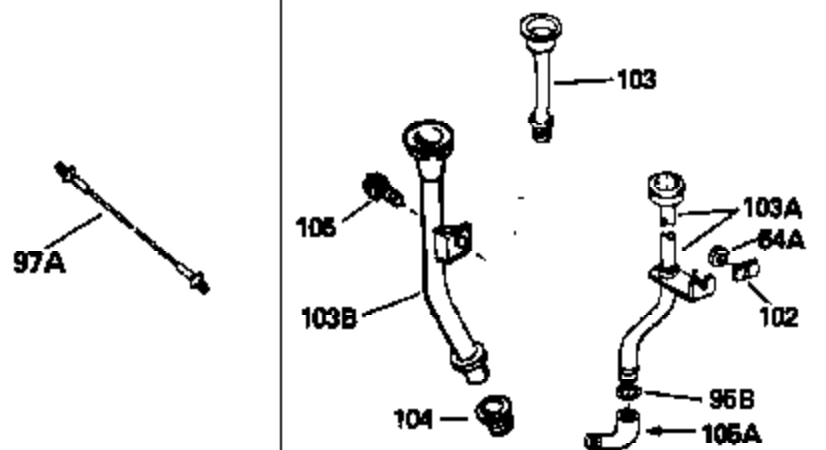
OPTIONAL 110 - 120 VOLT
STARTER MOTOR KIT



VIEW 2 of 2



STD. POINT



| Ref # | Part Number | Qty | Description |
|-------|-------------|-----|---|
| | 45 33876 | | Gasket, Stator |
| | 46 650489 | | Screw, 1/4-20 x 5/8" |
| | 54A 26073 | | Washer, Flat (Use as required) |
| | 54A 650690 | | Washer, Belleville (Use as required) |
| | 65A 34912 | | * Gasket, Blower housing |
| | 81 29747B | | Screw, 5/16-24 x 21/32" |
| | 83C 391026 | | Muffler (Incl. 115, 116 & 117) (This spark arrestor muffler can be used on any model) |
| | 85 30196 | | Screw, 5/16-18 x 3/4" (Use as required) |
| | 85 650696 | | Screw, 5/16-18 x 2-3/4" (Use as required) |
| | 85 650697A | | Screw, 5/16-18 x 2-1/2" (Use as required) |
| | 91 29774 | | Fuel Line (8-1/4") (Use as required) |
| | 91 30962 | | Fuel Line (32") (Use as required) |
| | 95B 30139 | | "O" Ring |
| | 100 26460 | | Clamp, Fuel line (Use as required) |
| | 103A 31568 | | Tube, Oil fill |
| | 110 34910 | | Element, Air cleaner |
| | 111 34909 | | Body, Air cleaner |
| | 112 650834 | | Screw, 10-32 x 1-17/32" |
| | 113 650784 | | Screw, 10-24 x 11/16" |
| | 114 34911 | | Cover, Air cleaner |
| | 115 33323 | | Screen, Muffler (Use as required) |
| | 116 33700 | | Cover & tube, Muffler (Use as required) |
| | 117 650578 | | Screw, 8-18 x 3/8" (Use as required) |
| | 118 28545 | | Grommet, Plastic |
| | 119 650643 | | Screw, 8-18 x 3/8" |
| | 120 33356 | | Terminal, Ground |
| | 133 730130 | | Muffler Adap. Kit (Incl. 82 & 85)(As required) |
| | 133A 31288 | | Muffler Adapter Kit (Incl. 82 & 85)(As required) |
| | 155 30547A | | Contact Assy., Breaker |
| | 156 30548B | | Condenser |
| | 159 611043 | | Magneto (w/ring gear) NOTE: The complete magneto is not available as an assembly. The magneto number is shown for reference purposes only. Order component parts individually as shown in parts list. (Refer to Division 5, Section B, page 39 for breakdown) |
| | 162 33329D | | Starter Motor Kit (110-120 volt) (Refer to service number stamped on end cap of motor, or on decal, for identification. For breakdown see Division 5, Section D, Page 16.) |
| | 163 611042 | | Flywheel (Ring gear flywheel required on engines using 110-120 volt starter motor kits listed above) (Use on Std. point ignitions) |
| | 163 611085 | | Flywheel (Ring gear flywheel required on engines using 110-120 volt starter motor kits listed above) (Use on solid state ignitions) |